



SENTRON, Molded case switch 3LD5 UL, Emergency switching-off, 4-pole, certified according to UL489 UL60947-4-1 and IEC60947-3, UL: 100A, SCCR 65kA at 480VAC, Operating power at 480VAC 3-phase: 60hp, IEC: 100A, Operating power at AC-23A at 400V: 45kW, front-mounted, rotary operating mechanism, red/yellow, 4-hole mounting of the handle, incl. terminal covers for the infeed side

| Model | |
|---|-------------------------------------|
| product brand name | SENTRON |
| product designation | Switch disconnecter |
| design of the product | EMERGENCY-STOP switch |
| display version for switch position indicator manual operation | 1 ON - 0 OFF |
| type of switch | front mounted |
| design of the actuating element | selector switch |
| color of the actuating element | red |
| design of handle | knob-operated mechanism, red/yellow |
| type of the driving mechanism motor drive | No |
| General technical data | |
| number of poles | 4 |
| size of switch disconnecter | 3 |
| mechanical service life (operating cycles) typical | 100 000 |
| electrical endurance (operating cycles) | |
| • at AC-23 A at 690 V | 6 000 |
| operating frequency maximum | 50 1/h |
| degree of pollution | 3 |
| Voltage | |
| insulation voltage rated value | 690 V |
| surge voltage resistance rated value | 6 kV |
| Protection class | |
| protection class IP | IP65 |
| degree of protection NEMA rating | 1, 3R, 4X, 12 |
| protection class IP on the front | IP65 |
| Dissipation | |
| power loss [W] for rated value of the current at AC in hot operating state per pole | 36 W |
| Main circuit | |
| operational current | |
| • at AC-21 at 690 V rated value | 100 A |
| • at AC-21 A at 240 V rated value | 100 A |
| • at AC-21 A at 400 V rated value | 100 A |
| • at AC-21 A at 440 V rated value | 100 A |
| • at AC-23 A at 400 V rated value | 100 A |
| operating power | |
| • at AC-23 A at 240 V rated value | 30 kW |
| • at AC-23 A at 440 V rated value | 45 kW |
| • at AC-23 A at 690 V rated value | 37 kW |
| • at AC-3 at 240 V rated value | 30 kW |

| | |
|---|---|
| <ul style="list-style-type: none"> • at AC-3 at 400 V rated value • at AC-3 at 690 V rated value | 45 kW 30 kW |
| Auxiliary circuit | |
| number of CO contacts for auxiliary contacts | 0 |
| number of NC contacts for auxiliary contacts | 0 |
| number of NO contacts for auxiliary contacts | 0 |
| operating voltage of auxiliary contacts at AC maximum | 500 V |
| continuous current of the auxiliary contact rated value | 10 A |
| insulation voltage of the auxiliary switch rated value | 500 V |
| Suitability | |
| suitability for use | |
| <ul style="list-style-type: none"> • main switch • switch disconnecter • EMERGENCY OFF switch • safety switch • maintenance/repair switch | Yes Yes Yes Yes Yes |
| Product details | |
| product feature can be locked into OFF position | Yes |
| accessories | |
| product extension optional | |
| <ul style="list-style-type: none"> • motor drive • voltage trigger | No No |
| number of connectable NC contacts for auxiliary contacts attachable maximum | 2 |
| number of connectable NO contacts for auxiliary contacts attachable maximum | 2 |
| number of connectable CO contacts for auxiliary contacts attachable maximum | 0 |
| number of bracket locks maximum | 3 |
| hasp thickness of the bracket locks | 5 ... 7.5 mm |
| Short circuit | |
| conditional short-circuit current with line-side fuse protection | |
| <ul style="list-style-type: none"> • at 440 V by gG fuse rated value • at 690 V by gG fuse rated value | 50 kA 50 kA |
| let-through current with closed switch | |
| <ul style="list-style-type: none"> • at 240 V for combination switch + gG fuse maximum • at 440 V for combination switch + gG fuse maximum • at 690 V for combination switch + gG fuse maximum permissible | 16 kA 16 kA 15 kA |
| I _{2t} value with closed switch | |
| <ul style="list-style-type: none"> • at 240 V for combination switch + gG fuse maximum • at 440 V for combination switch + gG fuse maximum • at 690 V for combination switch + gG fuse maximum | 223 kA _{2.s} 223 kA _{2.s} 223 kA _{2.s} |
| design of the fuse link | |
| <ul style="list-style-type: none"> • for short-circuit protection of the main circuit required • for short-circuit protection of the auxiliary switch required | Fuse gG: 125 A fuse gL/gG: 10 A |
| operational current of upstream fuse rated value | 125 A |
| according UL | |
| operational current at AC according to UL 489/UL 60947-4-1 rated value | 100 A |
| operational current at AC according to UL 508/UL 60947-4-1 rated value | 100 A |
| operating voltage at AC at 50/60 Hz according to UL 489 rated value | 480 V |
| operating voltage at AC at 50/60 Hz according to UL 508/UL 60947-4-1 rated value | 480 V |
| active power [hp] at AC at 480 V according to UL 508/UL 60947-4-1 rated value | 60 |
| short-time withstand current (SCCR) at 480 V according to UL 508/UL 60947-4-1 and UL 489 | 65 kA |
| continuous current of upstream fuse according to UL rated value | 100 A |
| type of fuse according to UL | Class J |
| Connections | |

| | |
|---|--|
| AWG number as coded connectable conductor cross section solid | |
| <ul style="list-style-type: none"> • minimum • maximum | 3 4/0 |
| AWG number as coded connectable conductor cross section solid according to UL 489 | |
| <ul style="list-style-type: none"> • minimum • maximum | 3 4/0 |
| AWG number as coded connectable conductor cross section solid according to CSA C22.2 No. 5-16 | |
| <ul style="list-style-type: none"> • minimum • maximum | 3 2/0 |
| type of connectable conductor cross-sections for copper conductor | |
| <ul style="list-style-type: none"> • solid • finely stranded with core end processing • stranded | 1x (16 ... 185mm ²) 1x (16...150mm ²) 1x (16...185mm ²) |
| type of connectable conductor cross-sections for auxiliary contacts | |
| <ul style="list-style-type: none"> • solid • finely stranded with core end processing • stranded | lateral auxiliary switch 2x (0,75 ... 2,5mm ²), 1x 4mm ² ; front auxiliary switch 1x (0,75 ... 2,5mm ²) lateral auxiliary switch 2x (0,75 ... 1,5mm ²), 1x 2,5mm ² ; front auxiliary switch 1x 2,5mm ² lateral auxiliary switch 2x (0,75 ... 2,5mm ²), 1x 4mm ² ; front auxiliary switch 1x (0,75 ... 2,5mm ²) |
| type of electrical connection | |
| <ul style="list-style-type: none"> • for main current circuit • for auxiliary contacts | box terminal connection terminals |

Mechanical Design

| | |
|--|-------------------------------------|
| height | 178 mm |
| width | 151 mm |
| depth | 93 mm |
| type of device | fixed mounting |
| fastening method | Built-in unit fixed-mounted version |
| fastening method | |
| <ul style="list-style-type: none"> • 4-hole front mounting • front mounting with central attachment • rail mounting | Yes No No |
| net weight | 2 150 g |

Environmental conditions

| | |
|--|-----------------|
| ambient temperature during operation | |
| <ul style="list-style-type: none"> • minimum • maximum | -25 °C 55 °C |
| ambient temperature during storage | |
| <ul style="list-style-type: none"> • minimum • maximum | -25 °C 55 °C |

General Product Approval

Declaration of Conformity



[Confirmation](#)



other

[Miscellaneous](#)

[Confirmation](#)

Further information

Siemens has decided to exit the Russian market (see here).
<https://press.siemens.com/global/en/pressrelease/siemens-wind-down-russian-business>

Siemens is working on the renewal of the current EAC certificates.

Please contact your local Siemens office on the status of validity of the EAC certification if you intend to import or offer to supply these products to an EAC relevant market (other than the sanctioned EAEU member states Russia or Belarus).

Information on the packaging

<https://support.industry.siemens.com/cs/ww/en/view/109813875>

Information- and Downloadcenter (Catalogs, Brochures,...)

<http://www.siemens.com/lowvoltage/catalogs>

Industry Mall (Online ordering system)

<https://mall.industry.siemens.com/mall/en/en/Catalog/product?mlfb=3LD5420-0TL13>

Service&Support (Manuals, Certificates, Characteristics, FAQs,...)

<https://support.industry.siemens.com/cs/ww/en/ps/3LD5420-0TL13>

Image database (product images, 2D dimension drawings, 3D models, device circuit diagrams, ...)

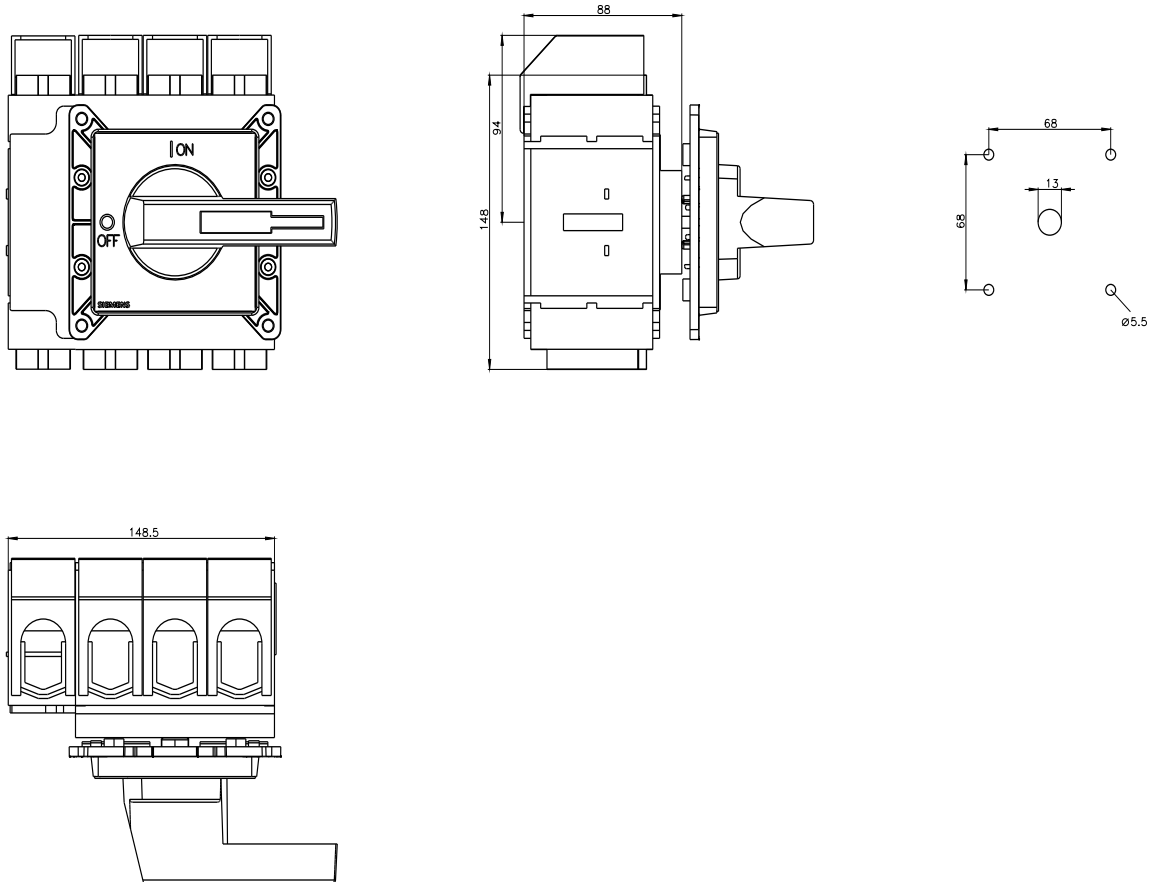
http://www.automation.siemens.com/bilddb/cax_en.aspx?mlfb=3LD5420-0TL13

CAx-Online-Generator

<http://www.siemens.com/cax>

Tender specifications

<http://www.siemens.com/specifications>



last modified:

6/20/2023

