



Adapter for installation of actuators and signaling units, 22 mm, in a mounting drill hole 30.5 mm, Metal, matte, with seal

product brand name	SIRIUS ACT		
product designation	Adapter		
design of the product	for 30.5 mm to 22.5 mm mounting hole		
product type designation	3SU1		
<b>General technical data</b>			
protection class IP	IP66, IP67, IP69(IP69K)		
Substance Prohibittance (Date)	10/01/2014		
<b>Ambient conditions</b>			
ambient temperature			
• during operation	-25 ... +70 °C		
• during storage and transport	-40 ... +80 °C		
<b>Installation/ mounting/ dimensions</b>			
height	40 mm		
width	38 mm		
mounting height	4.6 mm		
<b>Accessories</b>			
material of accessory	Metal matt		
color of accessory	sand gray		
<b>Certificates/ approvals</b>			
General Product Approval	Declaration of Conformity	Test Certificates	Marine / Shipping

[Confirmation](#)



EG-Konf.



[Type Test Certificates/Test Report](#)



ABS

Marine / Shipping

other



LRS



PRS



RINA

[Confirmation](#)

### Further information

Siemens has decided to exit the Russian market (see here).  
<https://press.siemens.com/global/en/pressrelease/siemens-wind-down-russian-business>

Siemens is working on the renewal of the current EAC certificates.

Please contact your local Siemens office on the status of validity of the EAC certification if you intend to import or offer to supply these products to an EAC relevant market (other than the sanctioned EAEU member states Russia or Belarus).

Information on the packaging

<https://support.industry.siemens.com/cs/ww/en/view/109813875>

Information- and Downloadcenter (Catalogs, Brochures,...)

<https://www.siemens.com/ic10>

Industry Mall (Online ordering system)

<https://mall.industry.siemens.com/mall/en/en/Catalog/product?mifb=3SU1960-0KB10-0AA0>

Cax online generator

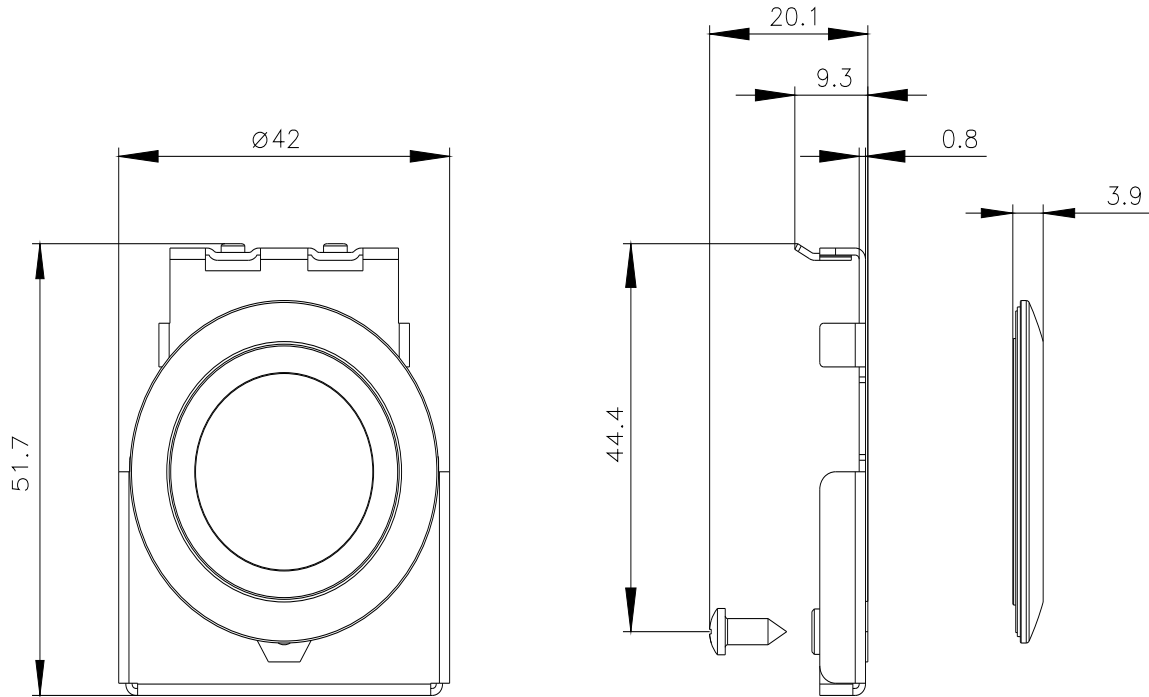
<http://support.automation.siemens.com/WW/CAXorder/default.aspx?lang=en&mifb=3SU1960-0KB10-0AA0>

Service&Support (Manuals, Certificates, Characteristics, FAQs,...)

<https://support.industry.siemens.com/cs/ww/en/ps/3SU1960-0KB10-0AA0>

Image database (product images, 2D dimension drawings, 3D models, device circuit diagrams, EPLAN macros, ...)

[http://www.automation.siemens.com/bilddb/cax\\_de.aspx?mifb=3SU1960-0KB10-0AA0&lang=en](http://www.automation.siemens.com/bilddb/cax_de.aspx?mifb=3SU1960-0KB10-0AA0&lang=en)



last modified:

3/29/2022 