



Sealable cap for pushbutton, flat, 22 mm, clear

product brand name	SIRIUS ACT
product designation	Sealable cap
design of the product	for pushbuttons, flat and raised
product type designation	3SU1
<b>General technical data</b>	
protection class IP	IP66, IP67, IP69(IP69K)
degree of protection NEMA rating	1, 2, 3, 3R, 4, 4X, 12
Substance Prohibitance (Date)	10/01/2014
<b>Ambient conditions</b>	
ambient temperature	-40 ... +80 °C
• during storage	
<b>Installation/ mounting/ dimensions</b>	
height	39.2 mm
width	32.5 mm
depth	22 mm
<b>Accessories</b>	
material of accessory	Plastic
color of accessory	clear
<b>Certificates/ approvals</b>	
General Product Approval	Declaration of Conformity



[Confirmation](#)



Test Certificates	Marine / Shipping	other
-------------------	-------------------	-------

[Type Test Certificates/Test Report](#)



[Confirmation](#)

**Environment**

[Environmental Confirmations](#)

## Further information

Siemens has decided to exit the Russian market (see here).

<https://press.siemens.com/global/en/pressrelease/siemens-wind-down-russian-business>

Siemens is working on the renewal of the current EAC certificates.

Please contact your local Siemens office on the status of validity of the EAC certification if you intend to import or offer to supply these products to an EAC relevant market (other than the sanctioned EAEU member states Russia or Belarus).

Information on the packaging

<https://support.industry.siemens.com/cs/ww/en/view/109813875>

Information- and Downloadcenter (Catalogs, Brochures,...)

<https://www.siemens.com/ic10>

Industry Mall (Online ordering system)

<https://mall.industry.siemens.com/mall/en/en/Catalog/product?mlfb=3SU1900-0DA70-0AA0>

Cax online generator

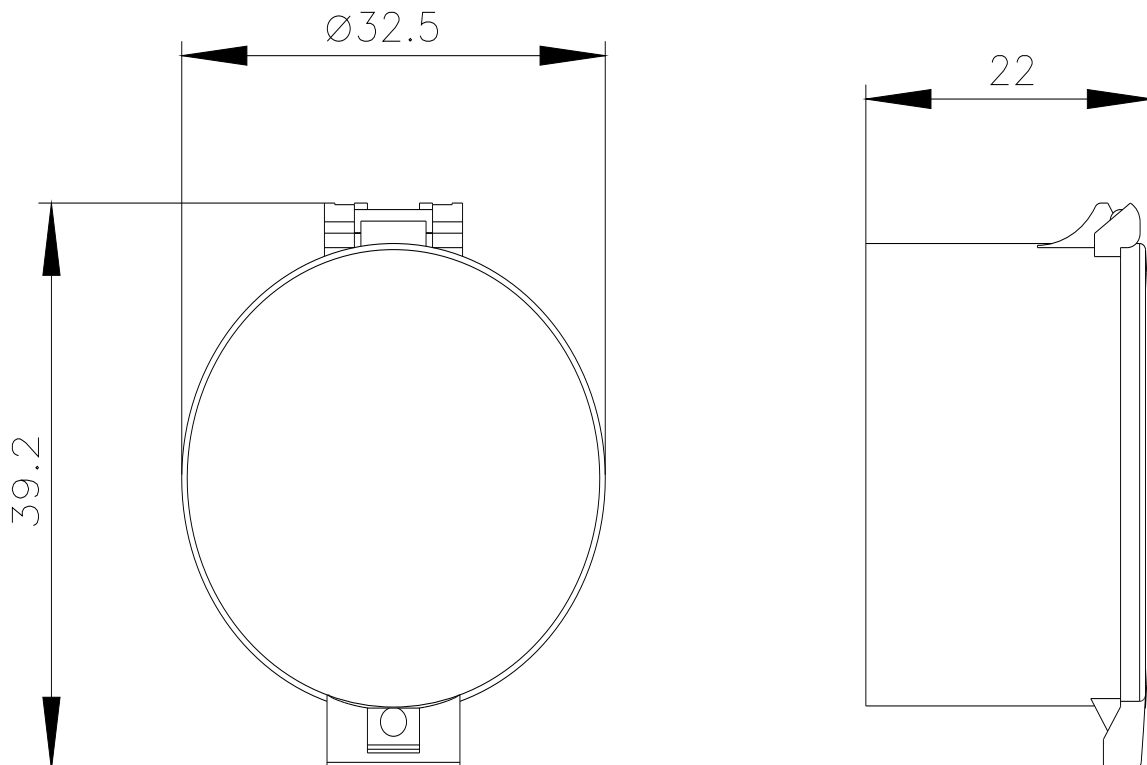
<http://support.automation.siemens.com/WW/CAXorder/default.aspx?lang=en&mlfb=3SU1900-0DA70-0AA0>

Service&Support (Manuals, Certificates, Characteristics, FAQs,...)

<https://support.industry.siemens.com/cs/ww/en/ps/3SU1900-0DA70-0AA0>

Image database (product images, 2D dimension drawings, 3D models, device circuit diagrams, EPLAN macros, ...)

[http://www.automation.siemens.com/bilddb/cax\\_de.aspx?mlfb=3SU1900-0DA70-0AA0&lang=en](http://www.automation.siemens.com/bilddb/cax_de.aspx?mlfb=3SU1900-0DA70-0AA0&lang=en)



last modified:

1/18/2023 