



SETRON, fuse holder, Class J, 3-pole, In: 60 A, Un AC: 600 V, for mounting on DIN rail, respect national installation rules!

Model	
product brand name	SETRON
product designation	Fuse holder
design of the product	Mounting on DIN rail
General technical data	
number of poles	3
size of fuse link	Class J
Supply voltage	
operating voltage	
• at AC rated value	600 V
protection class IP	IP20
Mechanical Design	
height	118 mm
width	120 mm
depth	82 mm
net weight	559 g
Certificates	
reference code according to IEC 81346-2	F
General Product Approval	other



[Confirmation](#)



[Miscellaneous](#)

[Confirmation](#)

Further information

Siemens has decided to exit the Russian market (see here).

<https://press.siemens.com/global/en/pressrelease/siemens-wind-down-russian-business>

Siemens is working on the renewal of the current EAC certificates.

Please contact your local Siemens office on the status of validity of the EAC certification if you intend to import or offer to supply these products to an EAC relevant market (other than the sanctioned EAEU member states Russia or Belarus).

Information on the packaging

<https://support.industry.siemens.com/cs/ww/en/view/109813875>

Information- and Downloadcenter (Catalogs, Brochures,...)

<http://www.siemens.com/lowvoltage/catalogs>

Industry Mall (Online ordering system)

<https://mall.industry.siemens.com/mall/en/en/Catalog/product?mlfb=3NW7531-5HG>

Service&Support (Manuals, Certificates, Characteristics, FAQs,...)

<https://support.industry.siemens.com/cs/ww/en/ps/3NW7531-5HG>

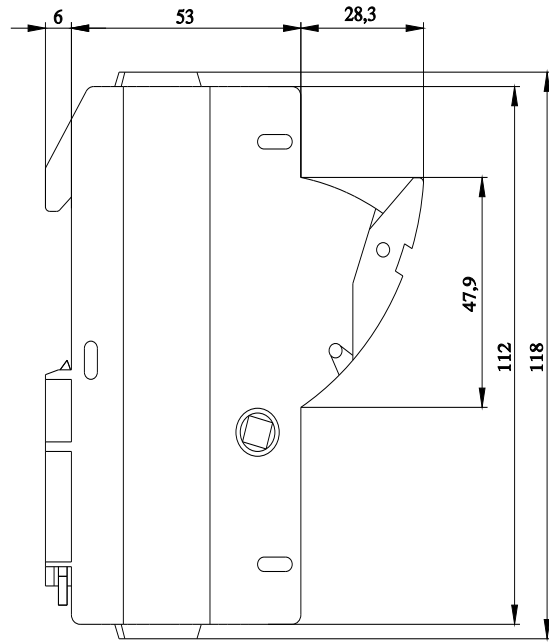
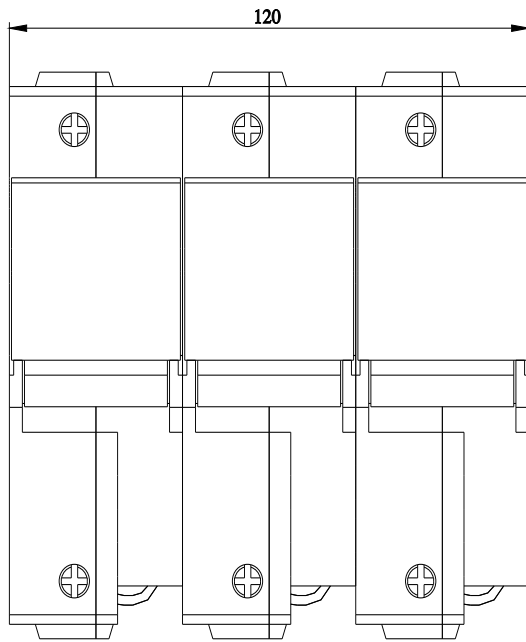
Image database (product images, 2D dimension drawings, 3D models, device circuit diagrams, ...)

http://www.automation.siemens.com/bilddb/cax_en.aspx?mlfb=3NW7531-5HG

CAX-Online-Generator

<http://www.siemens.com/cax>

Tender specifications



last modified:

7/9/2021 

