



Operating Unit w/ Bowdencable Max-Flex Operator Complete Kit consisting of: handle steel epoxy coated NEMA 1, 12, 3R black=OFF, red=ON Bowdencable length 48" (1.2m) Switching mechanism accessory for: 3VA55/65/66

Model	
product brand name	SENTRON
product designation	Accessories
design of the product	operator unit Max-Flex, complete kit
accessories	Operating unit
General technical data	
degree of protection NEMA rating	1, 3R, 12
Further information	

**Siemens has decided to exit the Russian market (see here).**

<https://press.siemens.com/global/en/pressrelease/siemens-wind-down-russian-business>

**Siemens is working on the renewal of the current EAC certificates.**

Please contact your local Siemens office on the status of validity of the EAC certification if you intend to import or offer to supply these products to an EAC relevant market (other than the sanctioned EAEU member states Russia or Belarus).

**Information on the packaging**

<https://support.industry.siemens.com/cs/ww/en/view/109813875>

**Information- and Downloadcenter (Catalogs, Brochures,...)**

<http://www.siemens.com/lowvoltage/catalogs>

**Industry Mall (Online ordering system)**

<https://mall.industry.siemens.com/mall/en/en/Catalog/product?mlfb=3VA9677-0CK72>

**Service&Support (Manuals, Certificates, Characteristics, FAQs,...)**

<https://support.industry.siemens.com/cs/ww/en/ps/3VA9677-0CK72>

**Image database (product images, 2D dimension drawings, 3D models, device circuit diagrams, ...)**

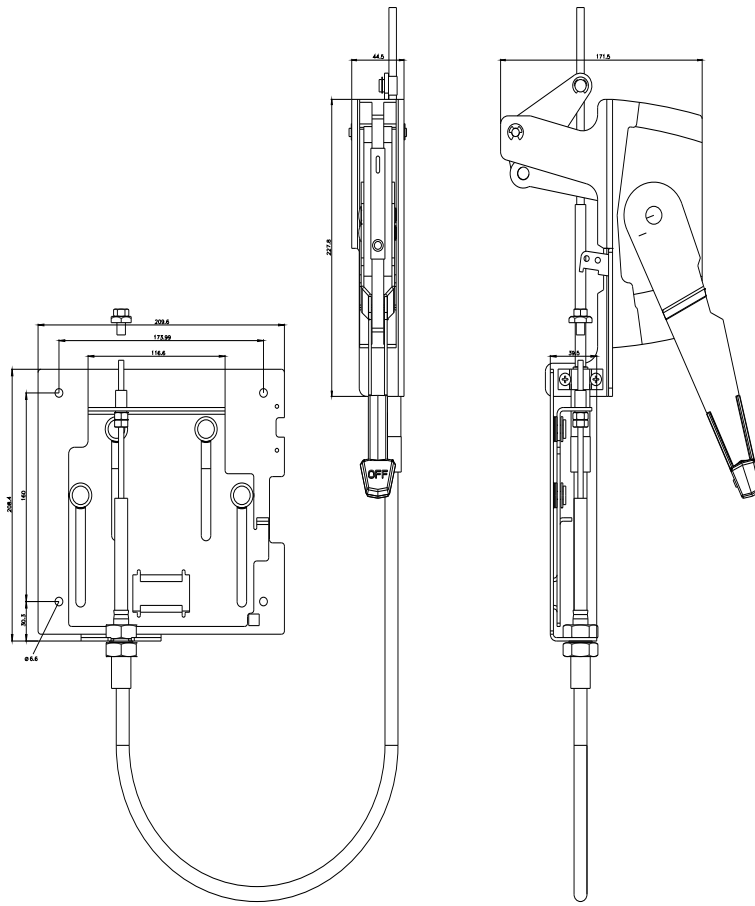
[http://www.automation.siemens.com/bilddb/cax\\_en.aspx?mlfb=3VA9677-0CK72](http://www.automation.siemens.com/bilddb/cax_en.aspx?mlfb=3VA9677-0CK72)

**CAX-Online-Generator**

<http://www.siemens.com/cax>

**Tender specifications**

<http://www.siemens.com/specifications>



last modified:

4/20/2023 

