



Fixing bracket

General technical data	
display version LED	No
design of the switching function positively driven	No
reference code according to IEC 81346-2	U
Substance Prohibitance (Date)	05/01/2012
product component plug-in socket	No
Auxiliary circuit	
number of NC contacts for auxiliary contacts	0
number of NO contacts for auxiliary contacts	0
number of CO contacts for auxiliary contacts	0
Connections/ Terminals	
product function removable terminal	No
Installation/ mounting/ dimensions	
mounting position	any
height	23.7 mm
width	36 mm
depth	66.5 mm
Ambient conditions	
ambient temperature	
<ul style="list-style-type: none"> during storage during transport 	-25 ... +70 °C
	-25 ... +70 °C
Certificates/ approvals	
General Product Approval	other

[Confirmation](#)



[Confirmation](#)

Further information

Siemens has decided to exit the Russian market (see here).
<https://press.siemens.com/global/en/pressrelease/siemens-wind-down-russian-business>

Siemens is working on the renewal of the current EAC certificates.

Please contact your local Siemens office on the status of validity of the EAC certification if you intend to import or offer to supply these products to an EAC relevant market (other than the sanctioned EAEU member states Russia or Belarus).

Information on the packaging

<https://support.industry.siemens.com/cs/ww/en/view/109813875>

Information- and Downloadcenter (Catalogs, Brochures,...)

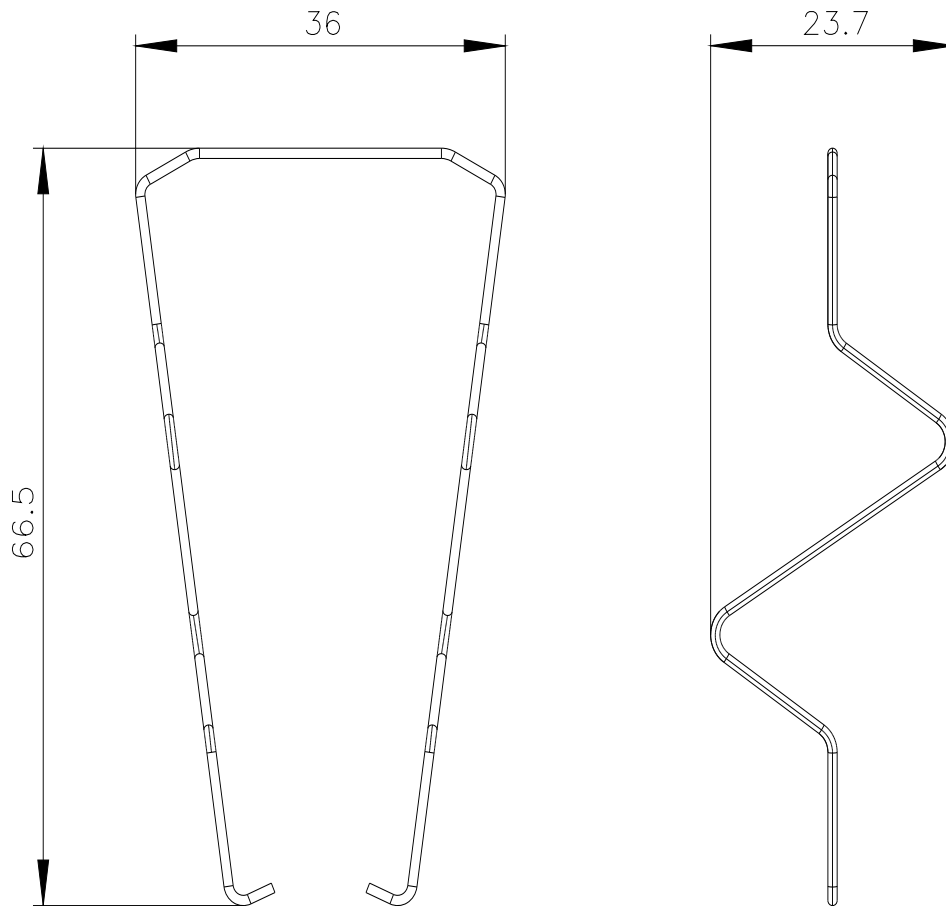
<https://www.siemens.com/ic10>

Industry Mall (Online ordering system)

<https://mall.industry.siemens.com/mall/en/en/Catalog/product?mlfb=LZS:MT28800>

Cax online generator

<http://support.automation.siemens.com/WW/CAXorder/default.aspx?lang=en&mlfb=LZS:MT28800>



last modified:

12/23/2020 