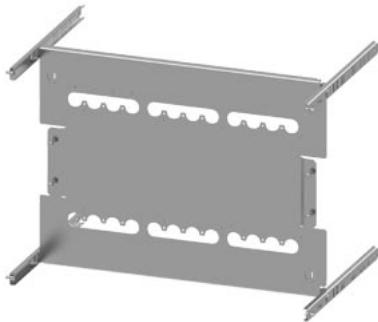


SIVACON S4 mounting plate 3VA20 (100A), 3-pole, plug-in socket, 8US setup, H: 400mm W: 600mm



Model	
product brand name	SIVACON S4
product designation	3VA mounting plate
design of the product	3VA20 (up to 100 A); 3VA21 (up to 160 A); 3VA22 (up to 250 A)
design of the surface	galvanized
Appearance	
RAL color number	other
color	miscellaneous
Product details	
product component top plate	No
Mechanical Design	
height	400 mm
width	600 mm
depth	400 mm
length	600 mm
material thickness of the plate	2 mm
net weight	4 kg
material	metal
General Product Approval	Declaration of Conformity

[Confirmation](#)



Declaration of Conformity	Marine / Shipping	other	Environment	
Miscellaneous		Confirmation	Miscellaneous	Environmental Confirmations

Further information

Siemens has decided to exit the Russian market (see here).
<https://press.siemens.com/global/en/pressrelease/siemens-wind-down-russian-business>
 Siemens is working on the renewal of the current EAC certificates.
 Please contact your local Siemens office on the status of validity of the EAC certification if you intend to import or offer to supply these products to an EAC relevant market (other than the sanctioned EAEU member states Russia or Belarus).
Information on the packaging
<https://support.industry.siemens.com/cs/ww/en/view/109813875>
Information- and Downloadcenter (Catalogs, Brochures,...)

<http://www.siemens.com/lowvoltage/catalogs>

Industry Mall (Online ordering system)

<https://mall.industry.siemens.com/mall/en/en/Catalog/product?mlfb=8PQ6000-8BA38>

Service&Support (Manuals, Certificates, Characteristics, FAQs,...)

<https://support.industry.siemens.com/cs/ww/en/ps/8PQ6000-8BA38>

Image database (product images, 2D dimension drawings, 3D models, device circuit diagrams, ...)

http://www.automation.siemens.com/bilddb/cax_en.aspx?mlfb=8PQ6000-8BA38

CAX-Online-Generator

<http://www.siemens.com/cax>

Tender specifications

<http://www.siemens.com/specifications>

last modified:

4/20/2023 

