



Mechanical RESET for 3RB30/3RB31 Size S00...S3 for 3RB20/3RB21 Size S6...S12

Substance Prohibittance (Date)

07/01/2006

Approvals Certificates

General Product Approval	EMC	Declaration of Conformity
--------------------------	-----	---------------------------



[Confirmation](#)



Test Certificates	Marine / Shipping	other
-------------------	-------------------	-------

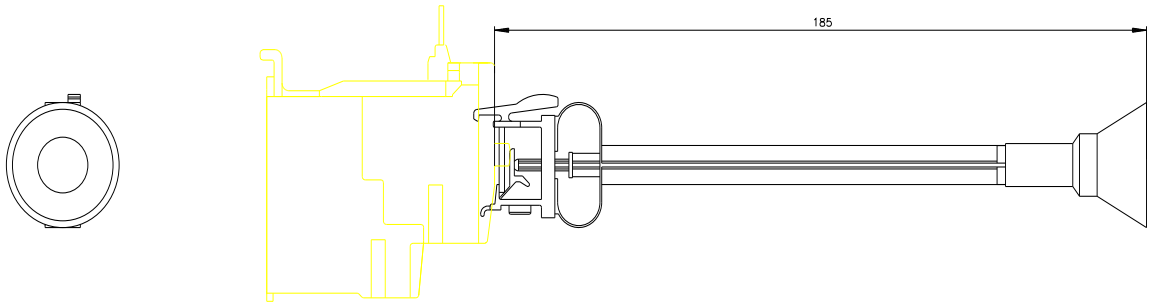
[Type Test Certificates/Test Report](#)



[Confirmation](#)

Further information

- Siemens has decided to exit the Russian market (see here). <https://press.siemens.com/global/en/pressrelease/siemens-wind-down-russian-business>
- Siemens is working on the renewal of the current EAC certificates. Please contact your local Siemens office on the status of validity of the EAC certification if you intend to import or offer to supply these products to an EAC relevant market (other than the sanctioned EAEU member states Russia or Belarus).
- Information on the packaging <https://support.industry.siemens.com/cs/ww/en/view/109813875>
- Information- and Downloadcenter (Catalogs, Brochures,...) <https://www.siemens.com/ic10>
- Industry Mall (Online ordering system) <https://mall.industry.siemens.com/mall/en/en/Catalog/product?mlfb=3RB3980-0A>
- Cax online generator <https://support.automation.siemens.com/WW/CAXorder/default.aspx?lang=en&mlfb=3RB3980-0A>
- Service&Support (Manuals, Certificates, Characteristics, FAQs,...) <https://support.industry.siemens.com/cs/ww/en/ps/3RB3980-0A>
- Image database (product images, 2D dimension drawings, 3D models, device circuit diagrams, EPLAN macros, ...) http://www.automation.siemens.com/bilddb/cax_de.aspx?mlfb=3RB3980-0A&lang=en



last modified:

1/18/2021 