

locking device, OFF position, for padlocks against unauthorized closing in op. panel, w/o rot. op. mec. accessory for circuit breaker 3VA27 (handle)

Model							
product brand name	SETRON						
product designation	locking provision, OFF position,						
design of the product	Padlocks, to prevent unauthorized activation, in the operator panel, without rotary operator						
Mechanical Design							
height	61 mm						
width	90 mm						
depth	140 mm						
net weight	132 kg						
General Product Approval	<table border="1"> <thead> <tr> <th>Declaration of Conformity</th> <th>Marine / Shipping</th> <th>other</th> </tr> </thead> <tbody> <tr> <td><a href="#">Confirmation</a></td> <td><a href="#">Confirmation</a></td> <td><a href="#">Miscellaneous</a></td> </tr> </tbody> </table>	Declaration of Conformity	Marine / Shipping	other	<a href="#">Confirmation</a>	<a href="#">Confirmation</a>	<a href="#">Miscellaneous</a>
Declaration of Conformity	Marine / Shipping	other					
<a href="#">Confirmation</a>	<a href="#">Confirmation</a>	<a href="#">Miscellaneous</a>					

[Confirmation](#)



EG-Konf.



LRS

[Confirmation](#)

[Miscellaneous](#)

### Further information

Siemens has decided to exit the Russian market (see here).

<https://press.siemens.com/global/en/pressrelease/siemens-wind-down-russian-business>

Siemens is working on the renewal of the current EAC certificates.

Please contact your local Siemens office on the status of validity of the EAC certification if you intend to import or offer to supply these products to an EAC relevant market (other than the sanctioned EAEU member states Russia or Belarus).

Information on the packaging

<https://support.industry.siemens.com/cs/ww/en/view/109813875>

Information- and Downloadcenter (Catalogs, Brochures,...)

<http://www.siemens.com/lowvoltage/catalogs>

Industry Mall (Online ordering system)

<https://mall.industry.siemens.com/mall/en/en/Catalog/product?mlfb=3VW9727-0LB10>

Service&Support (Manuals, Certificates, Characteristics, FAQs,...)

<https://support.industry.siemens.com/cs/ww/en/ps/3VW9727-0LB10>

Image database (product images, 2D dimension drawings, 3D models, device circuit diagrams, ...)

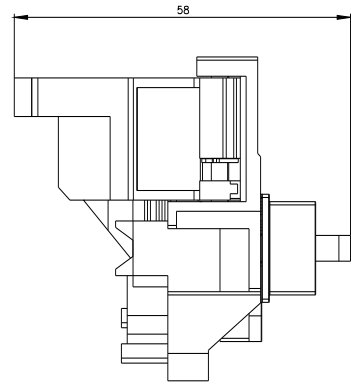
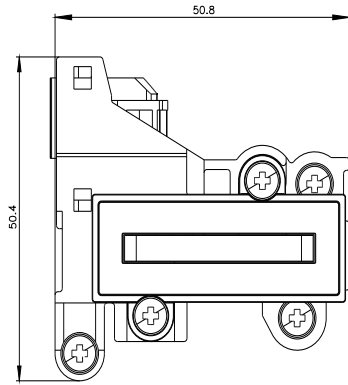
[http://www.automation.siemens.com/bilddb/cax\\_en.aspx?mlfb=3VW9727-0LB10](http://www.automation.siemens.com/bilddb/cax_en.aspx?mlfb=3VW9727-0LB10)

CAX-Online-Generator

<http://www.siemens.com/cax>

Tender specifications

<http://www.siemens.com/specifications>



---

last modified:

8/10/2021 

