

Connecting comb 8-pole



product brand name	SIRIUS	
product category	Connecting combs	
product designation	Connecting comb	
design of the product	For linking the same potentials, current carrying capacity for infeed max. 6 A/8-pole	
General technical data		
display version LED	No	
product component	No	
• semi-conductor output	No	
flammability class of enclosure material	UL94 V-0	
reference code according to IEC 81346-2	X	
Substance Prohibition (Date)	03/25/2015	
product component plug-in socket	No	
Connections/ Terminals		
product function removable terminal	No	
Installation/ mounting/ dimensions		
height	3.3 mm	
width	50 mm	
depth	11 mm	
Ambient conditions		
ambient temperature		
• during operation	-25 ... +60 °C	
• during storage	-40 ... +85 °C	
• during transport	-40 ... +85 °C	
Certificates/ approvals		
General Product Approval	Declaration of Conformity	other



[Confirmation](#)



EG-Konf.

[Confirmation](#)

Further information

Siemens has decided to exit the Russian market (see here).
<https://press.siemens.com/global/en/pressrelease/siemens-wind-down-russian-business>

Siemens is working on the renewal of the current EAC certificates.

Please contact your local Siemens office on the status of validity of the EAC certification if you intend to import or offer to supply these products to an EAC relevant market (other than the sanctioned EAEU member states Russia or Belarus).

Information on the packaging

<https://support.industry.siemens.com/cs/ww/en/view/109813875>

Information- and Downloadcenter (Catalogs, Brochures,...)

<https://www.siemens.com/ic10>

Industry Mall (Online ordering system)

<https://mall.industry.siemens.com/mall/en/en/Catalog/product?mlfb=3RQ3901-0C>

Cax online generator

<http://support.automation.siemens.com/WW/CAXorder/default.aspx?lang=en&mlfb=3RQ3901-0C>

Service&Support (Manuals, Certificates, Characteristics, FAQs,...)

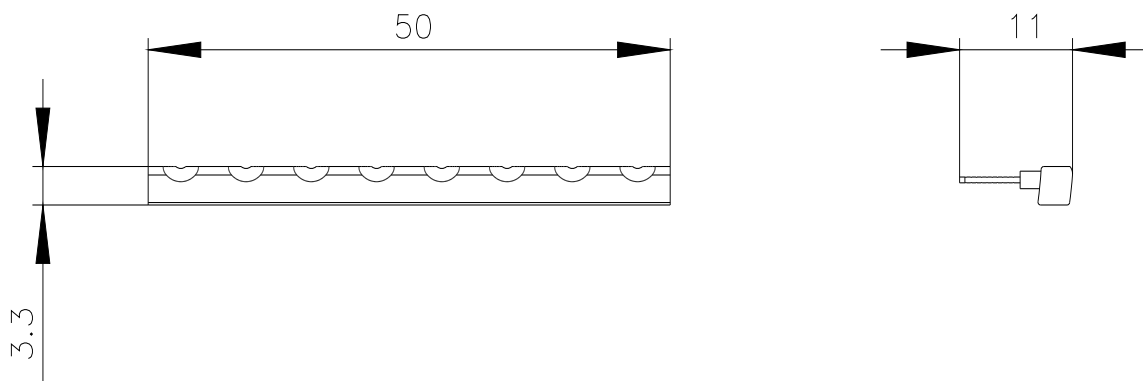
<https://support.industry.siemens.com/cs/ww/en/ps/3RQ3901-0C>

Image database (product images, 2D dimension drawings, 3D models, device circuit diagrams, EPLAN macros, ...)

http://www.automation.siemens.com/bilddb/cax_de.aspx?mlfb=3RQ3901-0C&lang=en

Characteristic: Derating

<https://support.industry.siemens.com/cs/ww/en/ps/3RQ3901-0C/manual>



last modified:

5/6/2021 