



NEOZED single cover, ISO Size D03, can be screwed on

Model	
product brand name	SENTRON
product designation	NEOZED touch protection cover
design of the product	screw-on
General technical data	
number of poles	1
size of fuse system according to EN 60269-1	D03
Mechanical Design	
number of modular width units	2.5
net weight	21 g
General Product Approval	
other	Environment

[Confirmation](#)



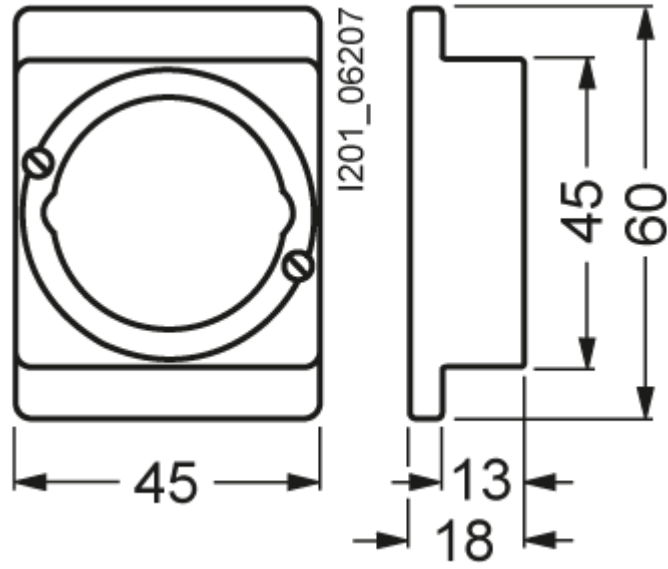
[Miscellaneous](#)

[Confirmation](#)

[Environmental Confirmations](#)

### Further information

- Siemens has decided to exit the Russian market (see here).  
<https://press.siemens.com/global/en/pressrelease/siemens-wind-down-russian-business>
- Siemens is working on the renewal of the current EAC certificates.  
Please contact your local Siemens office on the status of validity of the EAC certification if you intend to import or offer to supply these products to an EAC relevant market (other than the sanctioned EAEU member states Russia or Belarus).
- Information on the packaging  
<https://support.industry.siemens.com/cs/ww/en/view/109813875>
- Information- and Downloadcenter (Catalogs, Brochures,...)  
<http://www.siemens.com/lowvoltage/catalogs>
- Industry Mall (Online ordering system)  
<https://mall.industry.siemens.com/mall/en/en/Catalog/product?mlfb=5SH5233>
- Service&Support (Manuals, Certificates, Characteristics, FAQs,...)  
<https://support.industry.siemens.com/cs/ww/en/ps/5SH5233>
- Image database (product images, 2D dimension drawings, 3D models, device circuit diagrams, ...)  
[http://www.automation.siemens.com/bilddb/cax\\_en.aspx?mlfb=5SH5233](http://www.automation.siemens.com/bilddb/cax_en.aspx?mlfb=5SH5233)
- CAx-Online-Generator  
<http://www.siemens.com/cax>
- Tender specifications  
<http://www.siemens.com/specifications>



last modified:

12/19/2020 

