



NEOZED, fuse base, D01, 1-pole, 16 A, Un AC: 400 V, Un DC: 250 V without LED signal detector with frame terminal

| Model | | |
|---|----------------------------------|--------------|
| product brand name | NEOZED | |
| product designation | Fuse base | |
| design of the product | NEOZED fuse base installation | |
| General technical data | | |
| number of poles | 1 | |
| size of fuse system according to EN 60269-1 | D01 | |
| Supply voltage | | |
| operating voltage rated value | 400 V | |
| Dissipation | | |
| power loss [W] for rated value of the current at AC in hot operating state per pole | 0.2 W | |
| Main circuit | | |
| operational current rated value | 16 A | |
| Product details | | |
| product component cover | Yes | |
| Mechanical Design | | |
| height | 67 mm | |
| width | 27 mm | |
| depth | 55 mm | |
| fastening method | DIN rail | |
| net weight | 64 g | |
| material of D fuse base | plastic | |
| General Product Approval | Declaration of Conformity | other |

[Confirmation](#)



[Confirmation](#)

other

Environment

[Miscellaneous](#)

[Environmental Confirmations](#)

Further information

Siemens has decided to exit the Russian market (see here).
<https://press.siemens.com/global/en/pressrelease/siemens-wind-down-russian-business>

Siemens is working on the renewal of the current EAC certificates.

Please contact your local Siemens office on the status of validity of the EAC certification if you intend to import or offer to supply these products to an EAC relevant market (other than the sanctioned EAEU member states Russia or Belarus).

Information on the packaging

<https://support.industry.siemens.com/cs/ww/en/view/109813875>

Information- and Downloadcenter (Catalogs, Brochures,...)

<http://www.siemens.com/lowvoltage/catalogs>

Industry Mall (Online ordering system)

<https://mall.industry.siemens.com/mall/en/en/Catalog/product?mlfb=5SG1302>

Service&Support (Manuals, Certificates, Characteristics, FAQs,...)

<https://support.industry.siemens.com/cs/ww/en/ps/5SG1302>

Image database (product images, 2D dimension drawings, 3D models, device circuit diagrams, ...)

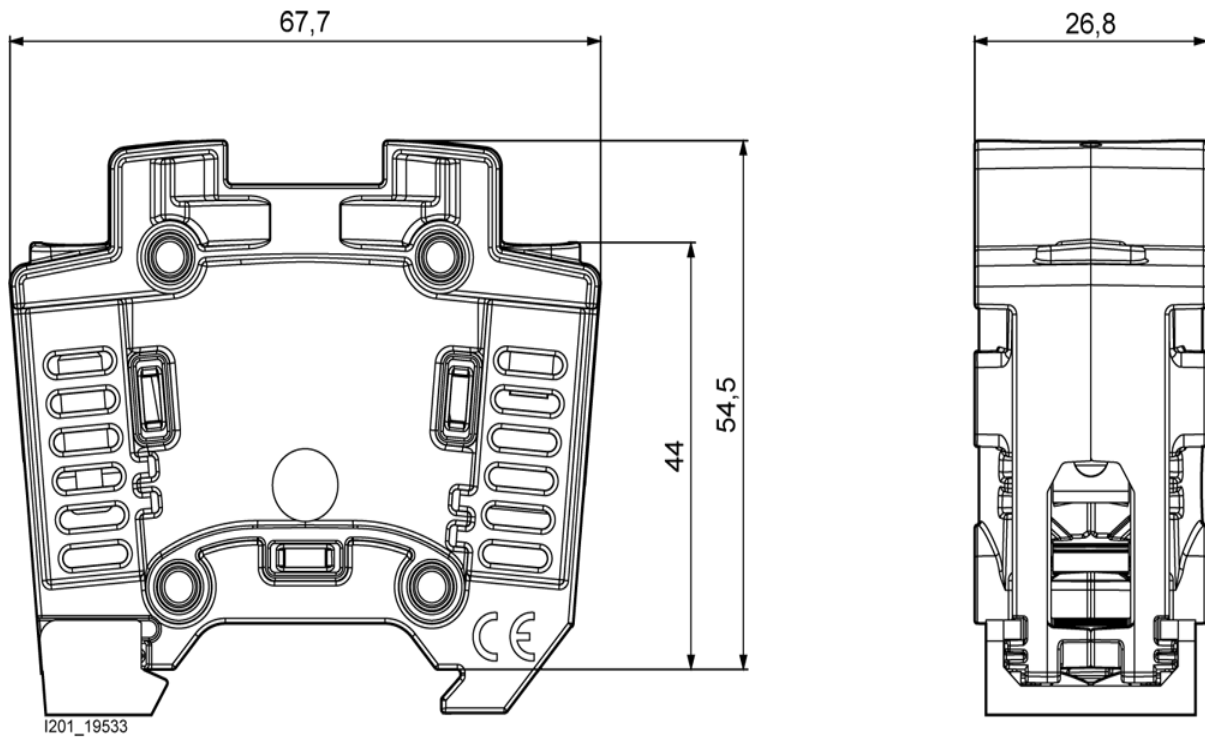
http://www.automation.siemens.com/bilddb/cax_en.aspx?mlfb=5SG1302

CAx-Online-Generator

<http://www.siemens.com/cax>

Tender specifications

<http://www.siemens.com/specifications>



last modified:

12/19/2020 

