



NEOZED, fuse base, D01, 1-pole, 16 A, Un AC: 400 V, Un DC: 250 V with LED signal detector with frame terminal

Model	
product brand name	NEOZED
product designation	Fuse base
design of the product	NEOZED fuse base installation
General technical data	
number of poles	1
size of fuse system according to EN 60269-1	D01
Supply voltage	
operating voltage rated value	400 V
Dissipation	
power loss [W] for rated value of the current at AC in hot operating state per pole	0.2 W
Main circuit	
operational current rated value	16 A
Product details	
product component cover	Yes
Mechanical Design	
height	67 mm
width	27 mm
depth	55 mm
fastening method	DIN rail
net weight	65 g
material of D fuse base	plastic
General Product Approval	
Declaration of Conformity	
other	

[Confirmation](#)



[Confirmation](#)

other

Environment

[Miscellaneous](#)

[Environmental Confirmations](#)

Further information

Siemens has decided to exit the Russian market (see here).
<https://press.siemens.com/global/en/pressrelease/siemens-wind-down-russian-business>

Siemens is working on the renewal of the current EAC certificates.

Please contact your local Siemens office on the status of validity of the EAC certification if you intend to import or offer to supply these products to an EAC relevant market (other than the sanctioned EAEU member states Russia or Belarus).

Information on the packaging

<https://support.industry.siemens.com/cs/ww/en/view/109813875>

Information- and Downloadcenter (Catalogs, Brochures,...)

<http://www.siemens.com/lowvoltage/catalogs>

Industry Mall (Online ordering system)

<https://mall.industry.siemens.com/mall/en/en/Catalog/product?mlfb=5SG1302-1>

Service&Support (Manuals, Certificates, Characteristics, FAQs,...)

<https://support.industry.siemens.com/cs/ww/en/ps/5SG1302-1>

Image database (product images, 2D dimension drawings, 3D models, device circuit diagrams, ...)

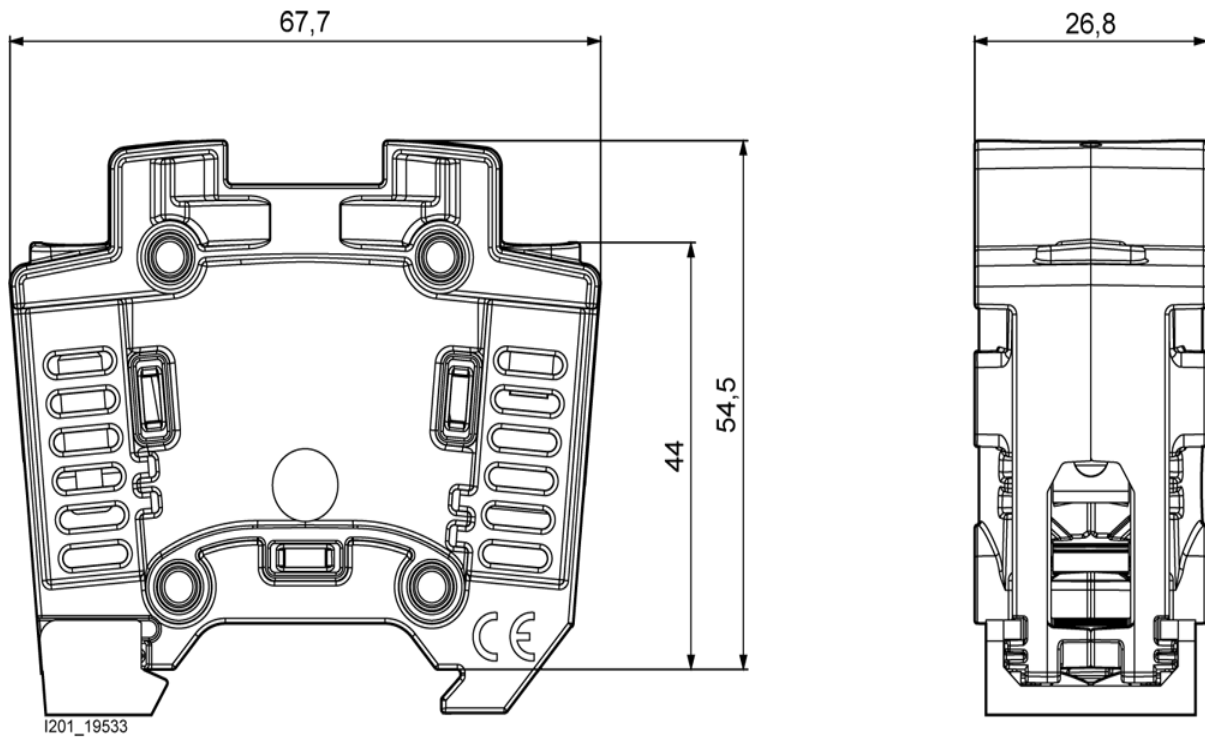
http://www.automation.siemens.com/bilddb/cax_en.aspx?mlfb=5SG1302-1

CAx-Online-Generator

<http://www.siemens.com/cax>

Tender specifications

<http://www.siemens.com/specifications>



last modified:

12/19/2020 

