



NEOZED, fuse base, D02, 1-pole, 63 A, Un AC: 400 V, Un DC: 250 V with LED signal detector with frame terminal

Model		
product brand name	NEOZED	
product designation	Fuse base	
design of the product	NEOZED fuse base installation	
General technical data		
number of poles	1	
size of fuse system according to EN 60269-1	D02	
Supply voltage		
operating voltage rated value	400 V	
Dissipation		
power loss [W] for rated value of the current at AC in hot operating state per pole	1 W	
Main circuit		
operational current rated value	63 A	
Product details		
product component cover	Yes	
Mechanical Design		
height	67 mm	
width	27 mm	
depth	55 mm	
fastening method	DIN rail	
net weight	73 g	
material of D fuse base	plastic	
<b>General Product Approval</b>	<b>Declaration of Conformity</b>	<b>other</b>

[Confirmation](#)



[Miscellaneous](#)

other

Environment

[Confirmation](#)

[Environmental Confirmations](#)

### Further information

Siemens has decided to exit the Russian market (see here).  
<https://press.siemens.com/global/en/pressrelease/siemens-wind-down-russian-business>

**Siemens is working on the renewal of the current EAC certificates.**

Please contact your local Siemens office on the status of validity of the EAC certification if you intend to import or offer to supply these products to an EAC relevant market (other than the sanctioned EAEU member states Russia or Belarus).

**Information on the packaging**

<https://support.industry.siemens.com/cs/ww/en/view/109813875>

**Information- and Downloadcenter (Catalogs, Brochures,...)**

<http://www.siemens.com/lowvoltage/catalogs>

**Industry Mall (Online ordering system)**

<https://mall.industry.siemens.com/mall/en/en/Catalog/product?mlfb=5SG1702-1>

**Service&Support (Manuals, Certificates, Characteristics, FAQs,...)**

<https://support.industry.siemens.com/cs/ww/en/ps/5SG1702-1>

**Image database (product images, 2D dimension drawings, 3D models, device circuit diagrams, ...)**

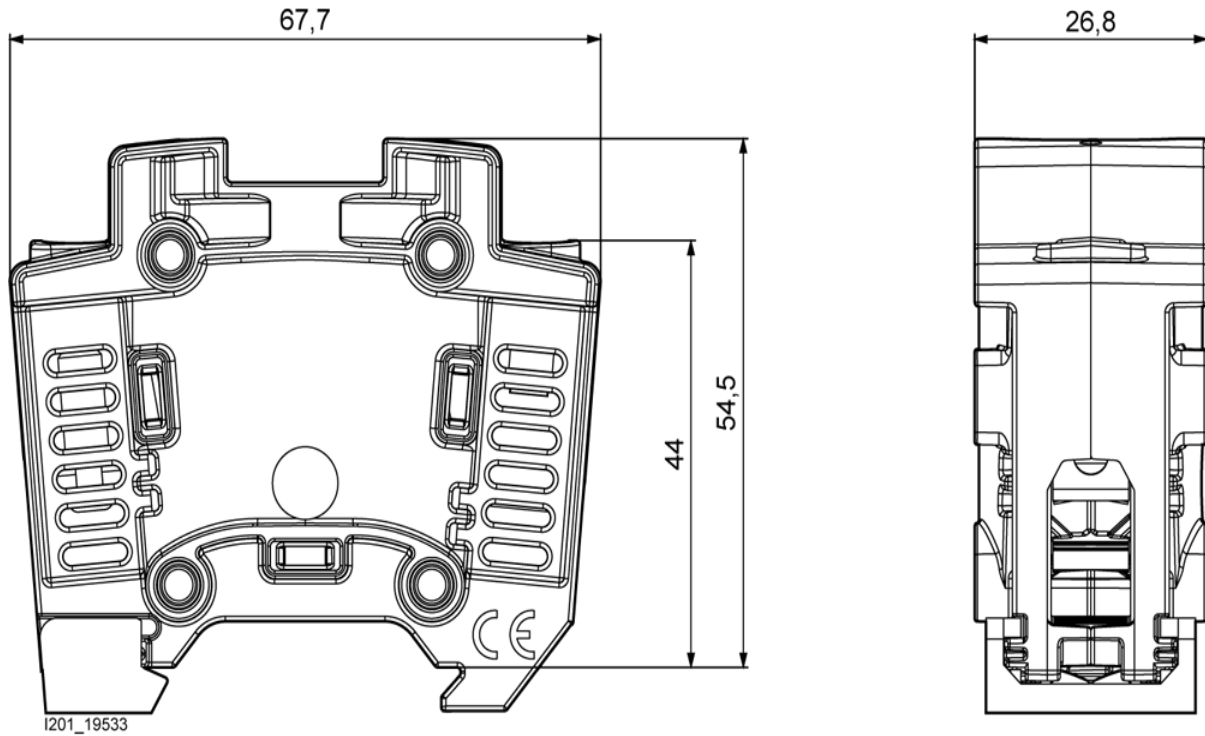
[http://www.automation.siemens.com/bilddb/cax\\_en.aspx?mlfb=5SG1702-1](http://www.automation.siemens.com/bilddb/cax_en.aspx?mlfb=5SG1702-1)

**CAx-Online-Generator**

<http://www.siemens.com/cax>

**Tender specifications**

<http://www.siemens.com/specifications>



last modified:

12/19/2020 

