

Item no.: 2886453

Data Sheet

5 mm Milky Lens LED Kit Series, 96 pcs

Description

- 96 pcs are supplied in a storage box
- Easy to use and storage, user-friendly
- Widely applied to project design, school science experiments, car decorations etc.

Features

- 5 mm round standard 100° directivity
- Red/Yellow/Orange/Blue/Pure Green/Pink/Warm White/Cool White
- Water clear body with milky top lens

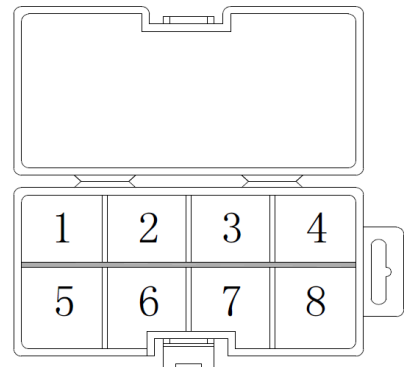
Product Picture

96 pcs/Box (Dimensions: 137 x 68 x 28 mm)



Kit Contents

Section	Contents	Pcs	Spec.
1	5 mm Round Milky Lens LED, Red	12	Page 2
2	5 mm Round Milky Lens LED, Yellow	12	
3	5 mm Round Milky Lens LED, Orange	12	
4	5 mm Round Milky Lens LED, Blue	12	
5	5 mm Round Milky Lens LED, Pure Green	12	
6	5 mm Round Milky Lens LED, Pink	12	
7	5 mm Round Milky Lens LED, Warm White	12	
8	5 mm Round Milky Lens LED, Cool White	12	



Data Sheet

5 mm Round Milky Lens LED

Description

- High luminous LEDs
- 5 mm round standard directivity
- UV resistant epoxy
- Available in all colors
- Water clear body with milky top lens

Applications

- Electronic signs and signals
- Small area illuminations
- Back lighting
- Other lighting

Technical data

Absolute Maximum Rating (Ta=25 °C)

Item	Symbol	Value		Unit
		R/Y/O	B/PG/K/M/W	
DC Forward Voltage	I _F	30	30	mA
Pulse Forward Current#	I _{FP}	100	100	mA
Reverse Voltage	V _R	5	5	V
Power Dissipation	P _D	78	102	mW
Operating Temperature	Topr	-30 ~ +85		°C
Storage Temperature	Tstg	-40 ~ +100		°C
Lead Soldering Temperature	Tsol	260 °C /5 sec		-

Pulse width Max. 10 ms, Duty ratio max 1/10

Electrical-Optical Characteristics (Ta=25 °C)

Milky Lens LED	Red	Yellow	Orange	Blue	Pure Green	Pink	Warm White	Cool White
Light Color	Red	Yellow	Orange	Blue	Pure Green	Pink	Warm White	Cool White
Lens Color	Milky Top	Milky Top	Milky Top	Milky Top	Milky Top	Milky Top	Milky Top	Milky Top
WD*1/CCT*2	620-630 nm	585-595 nm	600-610 nm	465-475 nm	520-530 nm	X:0.45 Y:0.17	2700-3300 K	8500-18000 K
Luminous Intensity (typ.)*3	3000 mcd	3000 mcd	3000 mcd	2180 mcd	3000 mcd	1560 mcd	4200 mcd	5800 mcd
Forward Voltage*4	1.8-2.6 V	1.8-2.6 V	1.8-2.6 V	2.7-3.4 V	2.7-3.4 V	2.7-3.4 V	2.7-3.4 V	2.7-3.4 V
Forward Current	20 mA	20 mA	20 mA	20 mA	20 mA	20 mA	20 mA	20 mA
Viewing Angle (typ.)	100°	100°	100°	100°	100°	100°	100°	100°
Quantity (pcs)/Box	12	12	12	12	12	12	12	12

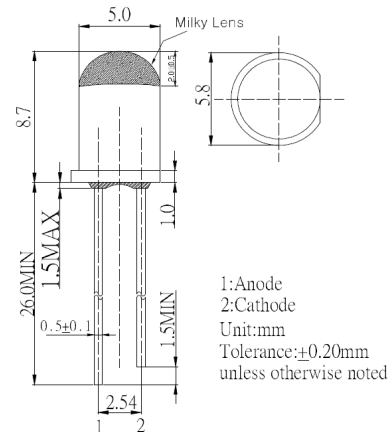
*1 Tolerance of measurements of dominant wavelength is ± 1 nm

*2 Tolerance of measurements of color temperature is ± 10%

*3 Tolerance of measurements of luminous intensity is ± 15%

*4 Tolerance of measurements of forward voltage is ± 0.1 V

Outline Dimensions



Directivity

