

Item no.: 2886454

Data Sheet

5 mm High Lumen LED Kit Series, 96 pcs

Description

- 96 pcs are supplied in a storage box
- Easy to use and storage, user-friendly
- Widely applied to project design, school science experiments, car decorations etc.

Features

- 5 mm round standard 15° directivity
- Red/Yellow/Orange/Blue/Pure Green/Pink/Warm White/Pure White
- Water clear

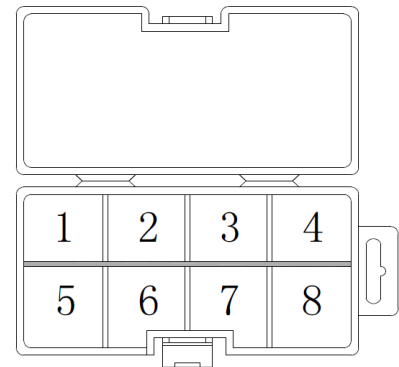
Product Picture

96 pcs/Box (Dimensions: 137 x 68 x 28 mm)



Kit Contents

Section	Contents	Pcs	Spec.
1	5 mm High Lumen LED, Red	12	Page 2
2	5 mm High Lumen LED, Yellow	12	
3	5 mm High Lumen LED, Orange	12	
4	5 mm High Lumen LED, Blue	12	
5	5 mm High Lumen LED, Pure Green	12	
6	5 mm High Lumen LED, Pink	12	
7	5 mm High Lumen LED, Warm White	12	
8	5 mm High Lumen LED, Pure White	12	



Data Sheet

5 mm High Lumen LED

Description

- 5 mm round standard directivity
- UV resistant epoxy
- Available in all colors
- Water clear
- Perfect beam pattern

Applications

- Advertising board
- Horticulture application
- Beauty product
- Other lighting

Technical data

Absolute Maximum Rating (Ta=25 °C)

Item	Symbol	Value		Unit
		R/Y/O	B/PG/K/M/W	
DC Forward Voltage	I _F	30	30	mA
Pulse Forward Current#	I _{FP}	100	100	mA
Reverse Voltage	V _R	5	5	V
Power Dissipation	P _D	78	102	mW
Operating Temperature	T _{opr}	-30 ~ +85		°C
Storage Temperature	T _{stg}	-40 ~ +100		°C
Lead Soldering Temperature	T _{sol}	260 °C /5 sec		-

Pulse width Max. 10 ms, Duty ratio max 1/10

Electrical-Optical Characteristics (Ta=25 °C)

Milky Lens LED	Red	Yellow	Orange	Blue	Pure Green	Pink	Warm White	Pure White
Light Color	Red	Yellow	Orange	Blue	Pure Green	Pink	Warm White	Pure White
Lens Color	Water Clear	Water Clear	Water Clear	Water Clear	Water Clear	Water Clear	Water Clear	Water Clear
WD*1/CCT*2	620-630 nm	585-595 nm	600-610 nm	465-475 nm	520-530 nm	X:0.45 Y:0.17	2700-3300 K	5500-8500 K
Luminous Intensity (typ.)*3	4.5 lm	4.5 lm	4.5 lm	3 lm	10 lm	2.5 lm	10 lm	10 lm
Forward Voltage*4	1.8-2.6 V	1.8-2.6 V	1.8-2.6 V	2.7-3.4 V	2.7-3.4 V	2.7-3.4 V	2.7-3.4 V	2.7-3.4 V
Forward Current	30 mA	30 mA	30 mA	30 mA	30 mA	30 mA	30 mA	30 mA
Viewing Angle (typ.)	15°	15°	15°	15°	15°	15°	15°	15°
Quantity (pcs)/Box	12	12	12	12	12	12	12	12

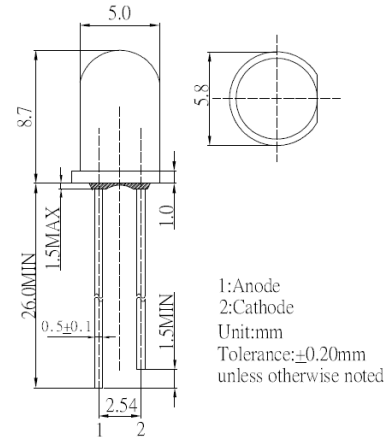
*1 Tolerance of measurements of dominant wavelength is ± 1 nm

*2 Tolerance of measurements of color temperature is ± 10%

*3 Tolerance of measurements of luminous intensity is ± 15%

*4 Tolerance of measurements of forward voltage is ± 0.1 V

Outline Dimensions



Directivity

