

Item no.: 2886737

## Data Sheet

---

Shaft coupling 24 x 66 mm - 6 mm shaft, Outer diameter : 40 mm



### Technical data

Bore  $\varnothing$ : 24.0 mm, 6.0 mm

Dim( $\varnothing$  x L): 40 mm x 66 mm

( $\varnothing$ ): 40 mm

Length: 66 mm

Rated Torque (TKN) : 17 N.m.

Max. Torque (TK Max.) : 34 N.m.

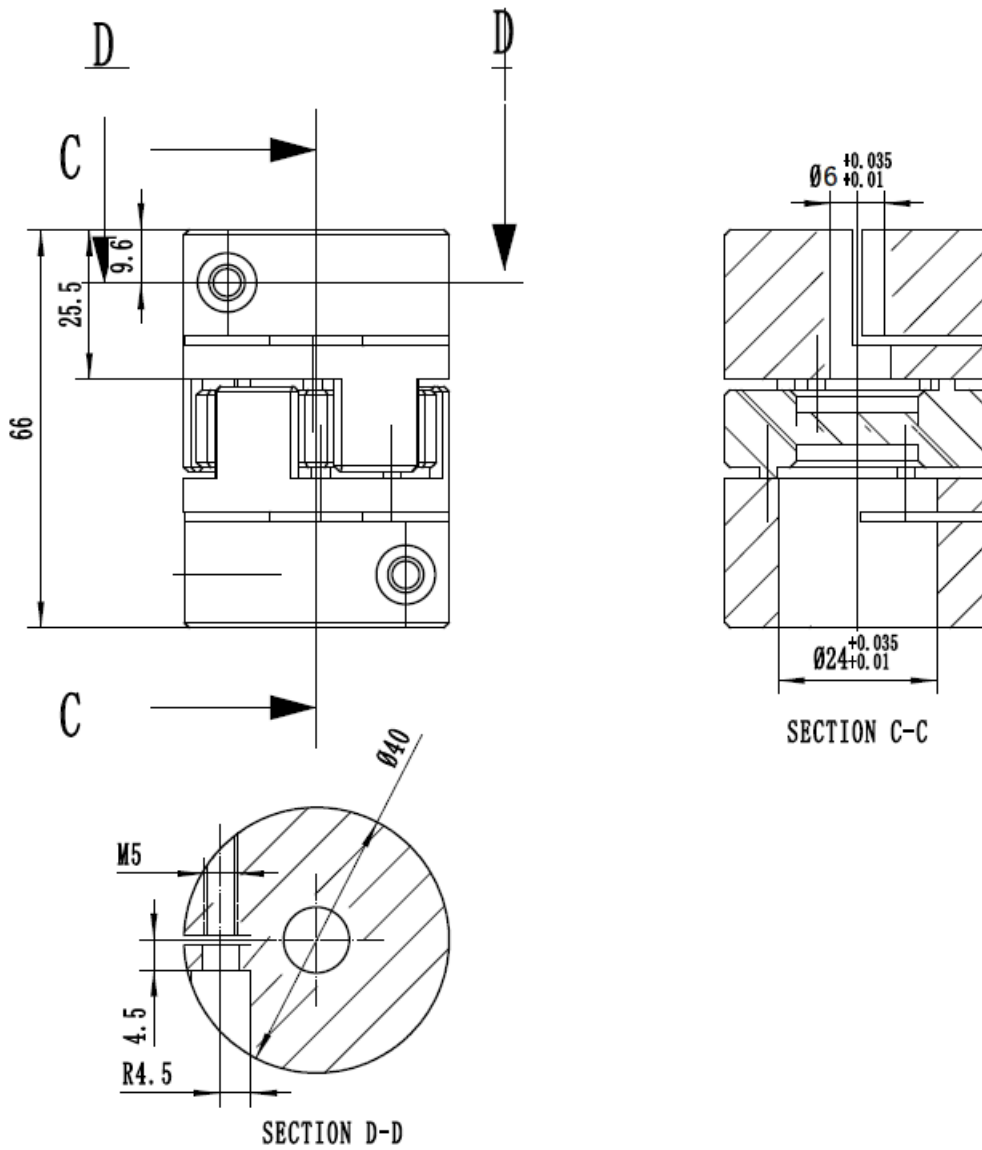
Screw type : M5

Material: Aluminum alloy, Polyurethane

Product type: Backlash free elastomer coupling

Item no.: 2886737

# Data Sheet



Abmessungen in mm

Remark: Rated torque 17 N.m