

Item no.: 2886739

Data Sheet

Shaft coupling 24 x 66 mm - 8 mm shaft, Outer diameter : 40 mm



Technical data

Bore \varnothing : 24.0 mm, 8.0 mm

Dim (\varnothing x L): 40 mm x 66 mm

(\varnothing): 40 mm

Length: 66 mm

Rated Torque (TKN) : 17 N.m.

Max. Torque (TK Max.) : 34 N.m.

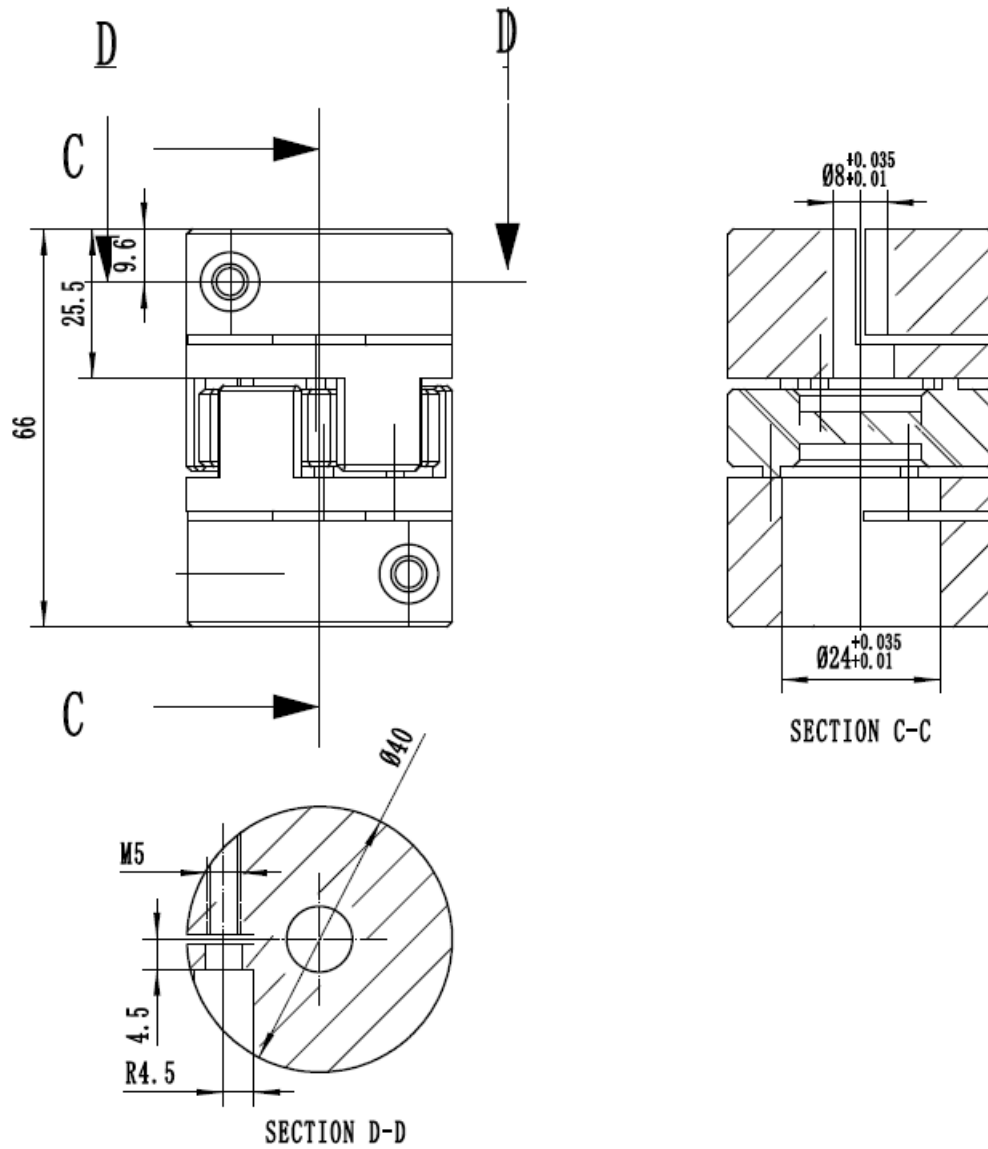
Screw type : M5

Material: Aluminum alloy, Polyurethane

Product type: Backlash free elastomer coupling

Item no.: 2886739

Data Sheet



Abmessungen in mm

Remark: Rated torque 17 N.m