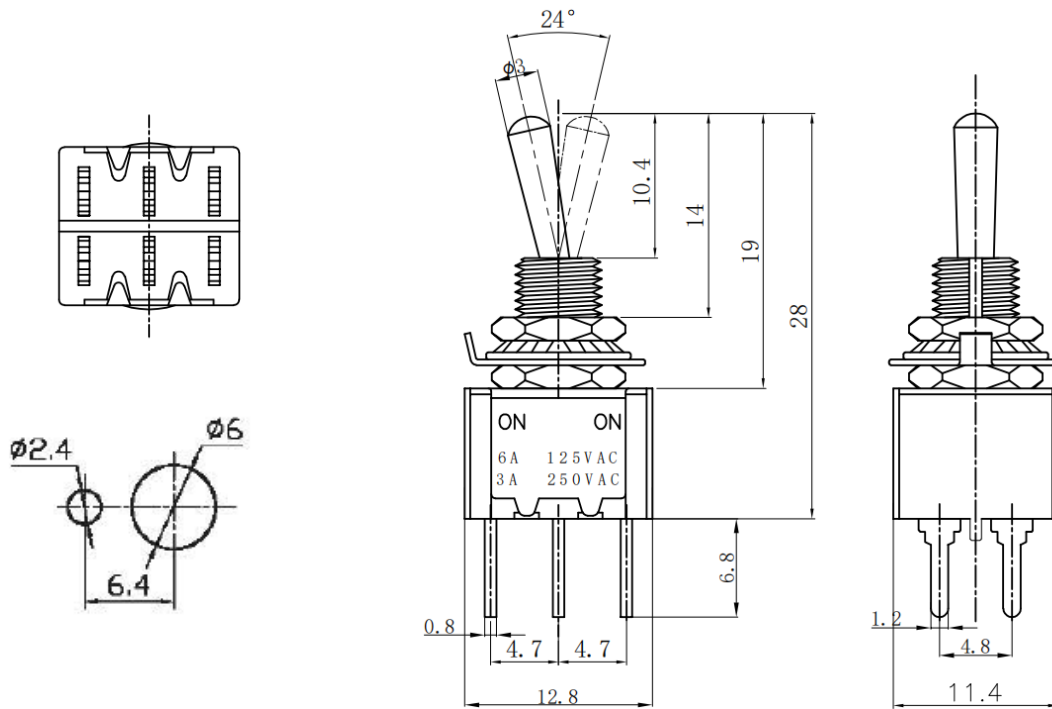


Item no.: 2886749

# Data Sheet

## Toggle switch



## Specification

Rating .....	6A/125VAC; 3A/250VAC
Circuit .....	DPDT
Switch function .....	ON-ON
Terminal .....	PC terminal
Housing colour .....	Red
Operating and storage temperature .....	-25 to +55 °C
Electric Life .....	10,000 cycles
Certificate .....	CE