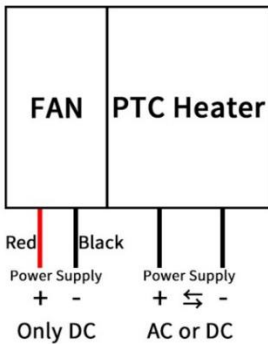
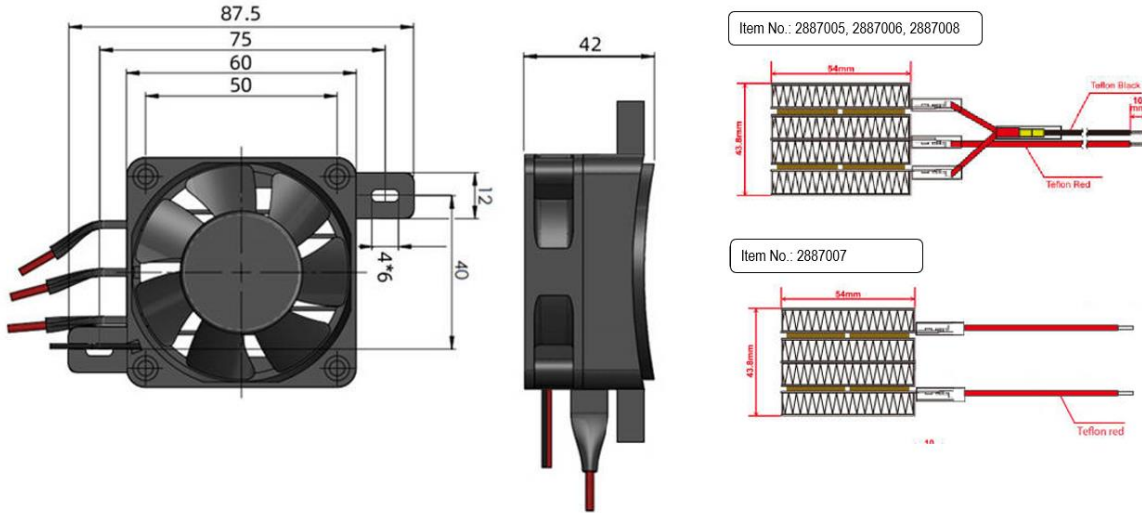


# Data Sheet

## Ceramic Electric PTC heating element with Fan



Item No.	2887005	2887006	2887008	2887007
Rated Voltage	12 V/DC		24 V/DC	
Fan rated Voltage	12 V/DC		24 V/DC	
Rated Power (±25%)	120 W	180 W	120 W	200 W
Inrush Power (±25%)	≤ 200 W	≤ 350 W	≤ 200 W	≤ 350 W
PTC withstand voltage	15 V		30 V	
Fan withstand voltage	12 V/DC		24 V/DC	
Rated current (±20%)	< 10 A	< 15 A	< 5 A	< 8 A
Impulse current (±20%)	< 16.5 A	< 29 A	< 8.5 A	< 14.5 A
Chip temperature	TS260			
Dimensions (mm)	87.5 x 60 x 42 (±1)			
Mounting Hole Dimension (mm)	4 x 6 (±1)			
PTC wire / Fan wire material	Teflon / Silicone			
Wire length (mm)	250			
Resistance wire temperature	> 200°C			
Heating material	PTC			
Bracket material	PA66			
Heat shrinkable tube sleeve temperature resistance	> 300°C			
Heater life	> 20000 h			
Housing Flammability	V-0			