

Features

DIN Rail Mounting Kit

- Accessory fitting to panel-mount modules /PMx
- Mating to TS 35 according to DIN EN 60715
- Kit of the clip includes appropriate screws



R-DR/CLIP

TS 35 DIN Rail Clip Kit

Description

The R-DR/Clip is the accessory for the convertibles under RECOM's panel-mount AC/DC modules to clip them onto TS 35 DIN rails. It comes as a kit together with the appropriate screws for fixing onto the panel mount series with the suffix "/PMx".



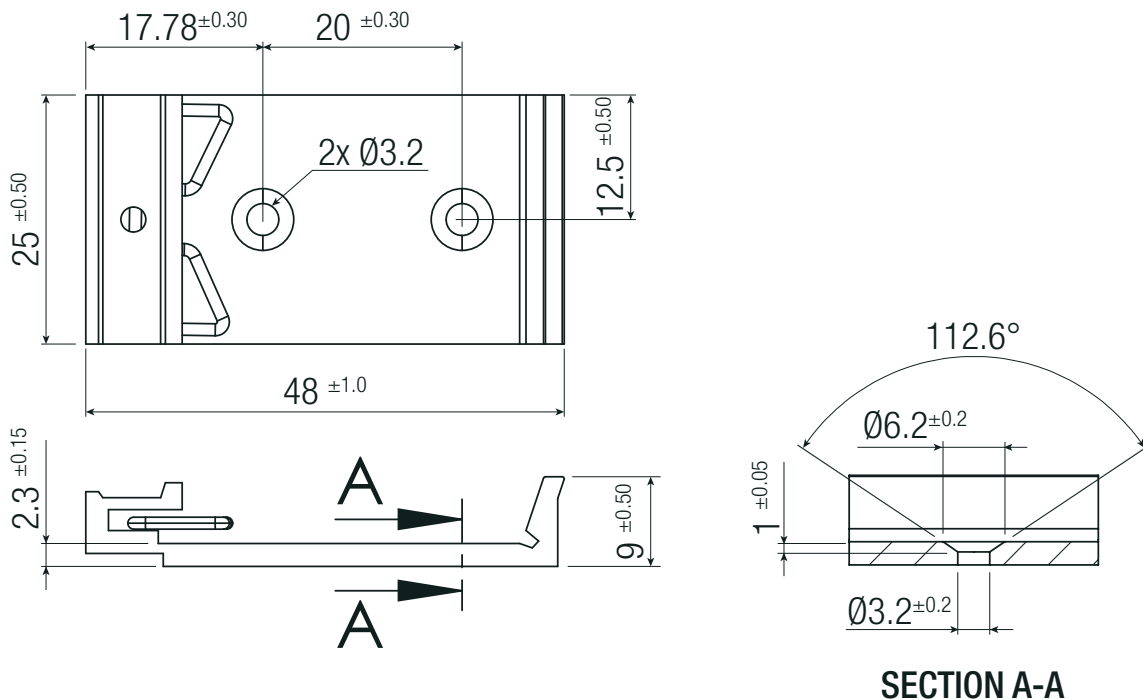
Compatible Converters

Product Series	nom. Input Voltage [VAC]	nom. Output Voltage [VDC]	Max. Tightening Torque [Nm]	Product Datasheet Link
RACM30-K/277/PMP	85-305	5, 12, 24	0.7	RACM30-K/277.pdf

DIMENSION AND PHYSICAL CHARACTERISTICS

Parameter	Type	Value
Dimension (LxWxH)		48.0 x 25.0 x 9.0mm
Materials	clip	aluminum
	screws	low carbon steel
Weight	clip	20.8g typ.

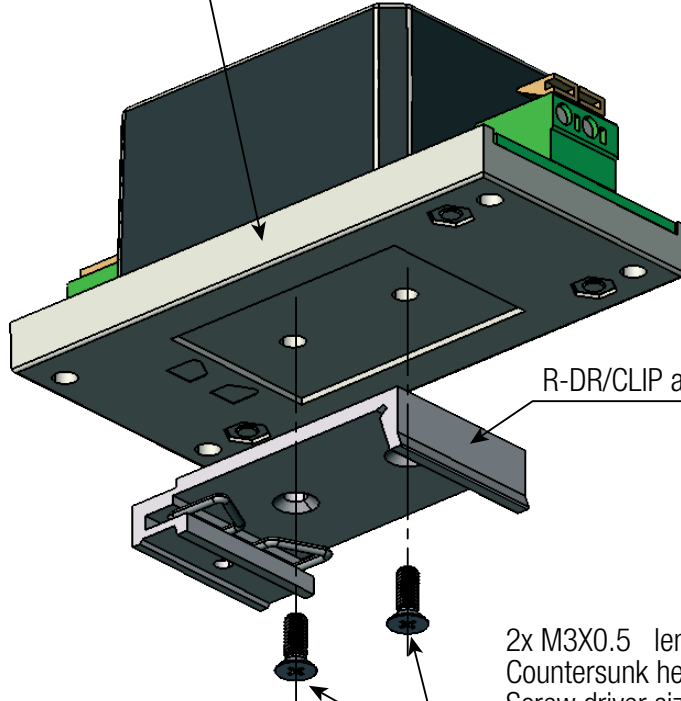
Dimension Drawing (mm)



Specifications (measured @ Ta= 25°C, nom. Vin, full load and after warm-up unless otherwise stated)

EXPLODED VIEW

RACM30-K/277/PMP module



R-DR/CLIP accessory part

2x M3X0.5 length: 8mm
Countersunk head with recessed head
Screw driver size: P1
Torque: 0.7Nm max.

PACKAGING INFORMATION

Parameter	Type	Value
Packaging Dimension (LxWxH)	cardboard box	112.0 x 70.0 x 72.0mm
Packaging Quantity	cardboard box	24pcs R-DR/CLIP (each clip in one airbag)
		48pcs M3X0.5 countersunk head screws (all screws in one airbag)

The product information and specifications may be subject to changes even without prior written notice. The product has been designed for various applications; its suitability lies in the responsibility of each customer. The products are not authorized for use in safety-critical applications without RECOM's explicit written consent. A safety-critical application is an application where a failure may reasonably be expected to endanger or cause loss of life, inflict bodily harm or damage property. The applicant shall indemnify and hold harmless RECOM, its affiliated companies and its representatives against any damage claims in connection with the unauthorized use of RECOM products in such safety-critical applications.