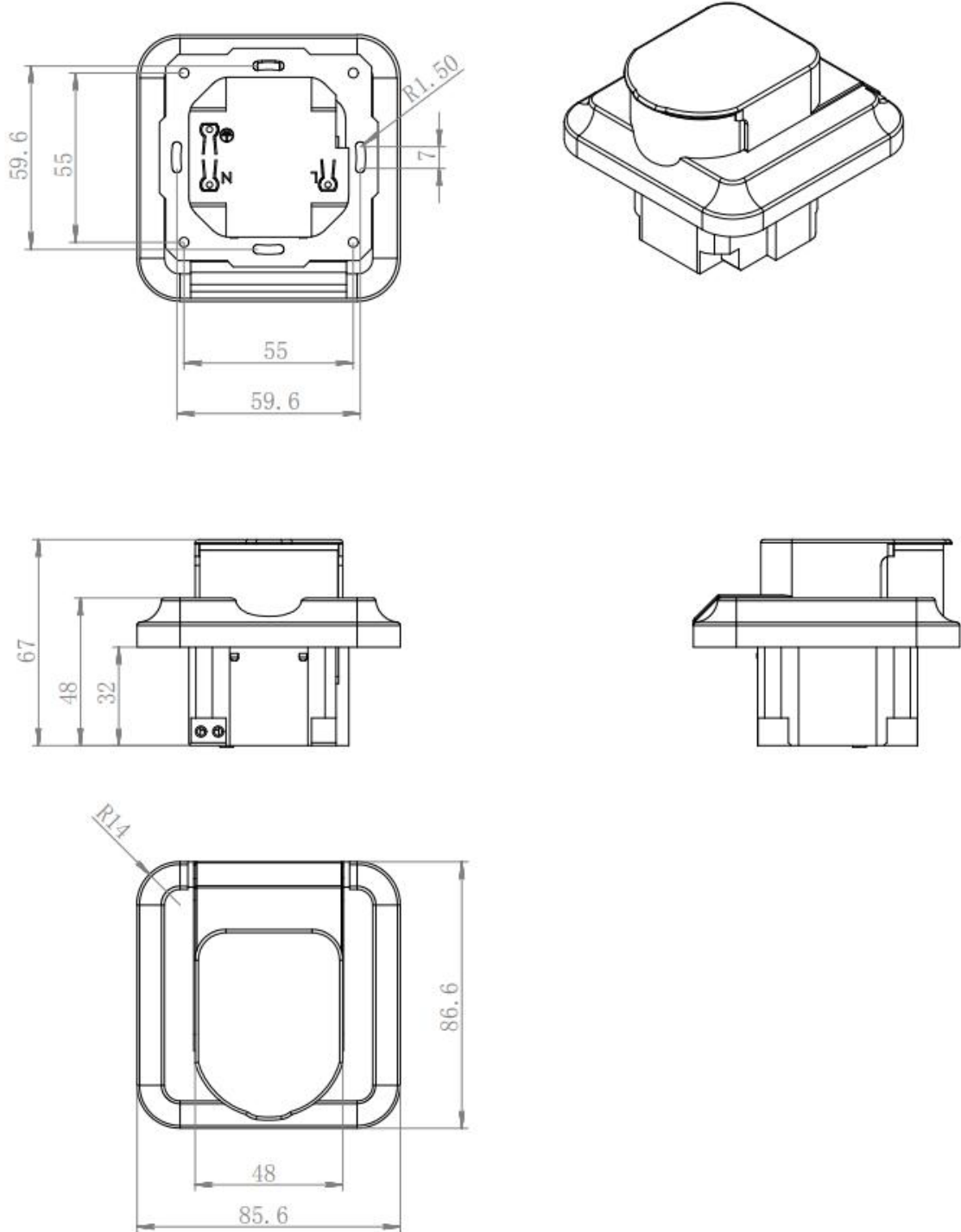


Item no.: 2887576

Data Sheet



Input voltage/current	220 - 240 V/AC, 50/60 Hz, 16 A
Max. load	3600 W
Rated current	16 A
Rated residual current	30 mA
Response time	<30 ms
Cable cross-section	1.5 mm ² or 2.5 mm ²