

LED Lightpipes and Mounts

Order code	Manufacturer code	Description
55-1066	n/a	LIGHT PIPE TYPE KL-03 (RC)

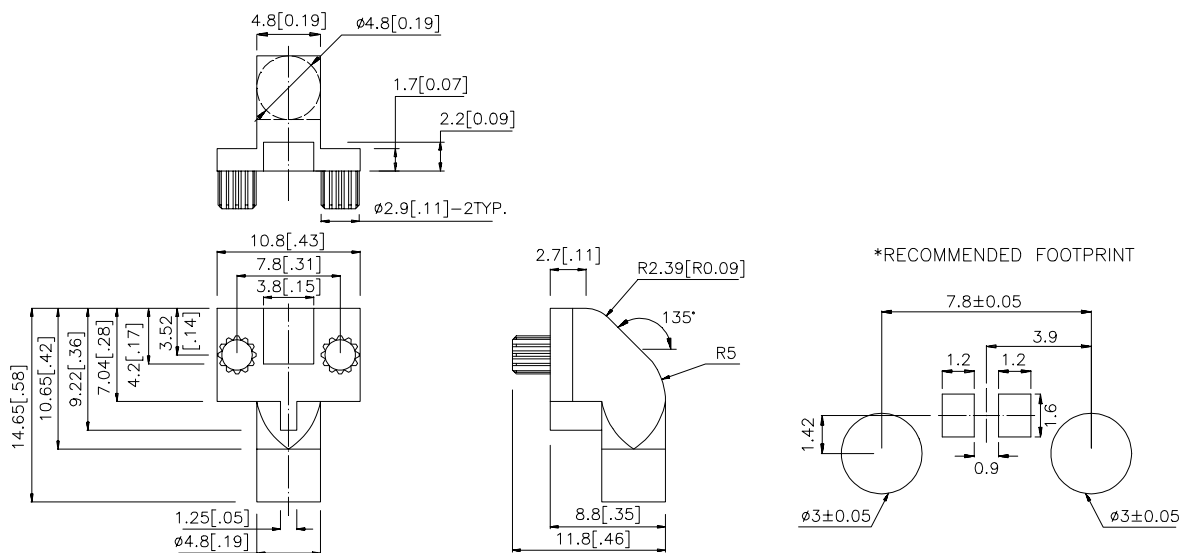
LED Lightpipes and Mounts	Page 1 of 2
The enclosed information is believed to be correct, Information may change 'without notice' due to product improvement. Users should ensure that the product is suitable for their use. E. & O. E.	Revision A 04/07/2003

KL-03

Features

- WIDE VIEWING ANGLE.
- DESIGNED TO REPLACE RECTANGULAR RIGHT ANGLE THROUGH HOLE DEVICE.
- HIGH TRANSMISSIVITY POLYCARBONATE MATERIAL.
- UL94V-0 COMPLIANCE.

Package Dimensions



Notes:

1. All dimensions are in millimeters (inches).
2. Tolerance is ± 0.25 (0.01") unless otherwise noted.
3. Specifications are subject to change without notice.