



GIGABIT ACTIVE 802.3at PoE MIDSPAN



Quick Installation Guide

DN-95132

Introduction

DN-95132 is an indoor rated active PoE midspan Injector specially designed for complex backhaul and networking applications. It provides 52Vdc, 0.58A power for remote PDs over 2 pairs output. It supports both 10/100 Base-T and Gigabit device. It works for 30W PoE PDs, such as wireless APs, Wifi routers, Network cameras, IP Phones, Microwave Radio and other power Ethernet terminals. It fully complies to IEEE802.3af/at PoE standard. Enclosed in an IP40 fire retardant plastic case. Enclosed in an IP40 fire retardant plastic case. It works with a wide input voltage of 100-240 VAC, 50 or 60 Hz. It has detection chip inside, which will detect and classify PD before powering it. It will not provide power until a standard-compliant PD is detected.

Main Features

- Provides 52Vdc, 0.58A power for remote PDs over 2 pairs output
- Supports both 10/100 Base-T and Gigabit device
- Works with a wide input voltage of 100-240 VAC, 50 or 60 Hz.
- Easily merge of power and data cables into a single cable
- Each output port has output current limited, short-circuit protection, complete Powered Device (PD) detection and classification
- The Injector can be used independent of operating system

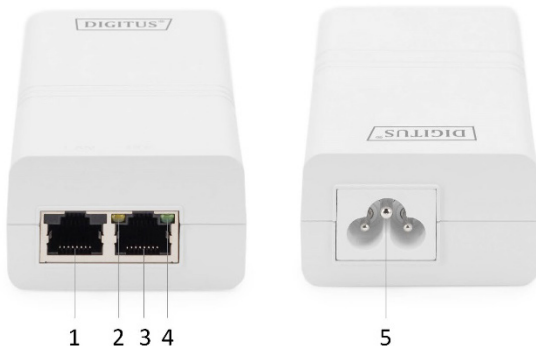
Package Contents

- DN-95132 PoE Injector
- Power Cord x 1
- Quick Installation Guide x 1

Technical Data

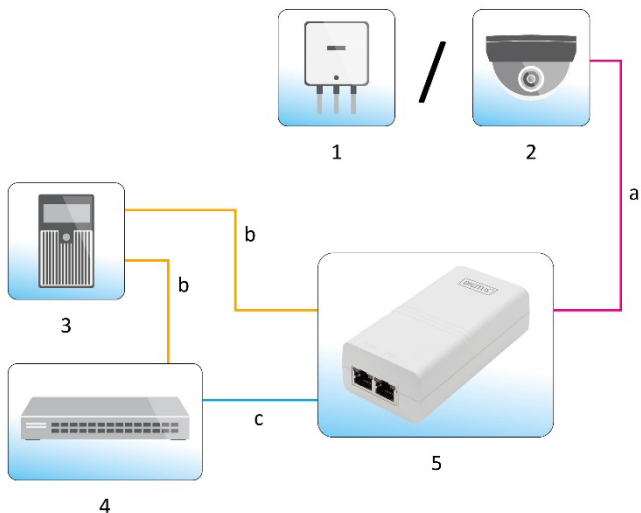
- IEEE802.3 10Base-T Ethernet
- IEEE802.3u 100Base-Tx Fast Ethernet
- IEEE802.3ab 1000Base-T Gigabit Ethernet
- Full compliant with IEEE802.3af/at PoE standard
- Input :100-240Vac 1.0A 50/60Hz
- Output: 52Vdc 580mA
- Power Pins: 4/5(+), 7/8(-)
- Data Speed: 10/100/1000Mbps
- Operating Temperature: 0°C to 40°C
- Operating Humidity: 20% to 80%, non-condensation
- Storage Temperature: -20°C to 70°C
- Operating Altitude: up to 2000 meters
- Case: Plastic
- Color: White
- IP Rated: IP40
- Size: 107.3mm X 56mm X 34mm
- Weight: 146.8g
- Power Indicator: Yellow
- PoE Load Indicator: Green

Product Description



1. LAN: Data Input Port
2. Power Indicator
3. PoE: Data & Power Output Port
4. PoE Load Indicator
5. AC Power Input

Product Working Diagram



- | | |
|---------------------|---------------------------|
| 1. Wireless AP | a. Data and power cable |
| 2. IPC | b. 100-240Vac power cable |
| 3. 100-240Vac Power | c. Data cable |
| 4. Switch | |
| 5. DN-95132 | |

Hereby Assmann Electronic GmbH, declares that the Declaration of Conformity is part of the shipping content. If the Declaration of Conformity is missing, you can request it by post under the below mentioned manufacturer address.

www.assmann.com

Assmann Electronic GmbH

Auf dem Schüffel 3

58513 Lüdenscheid

Germany

