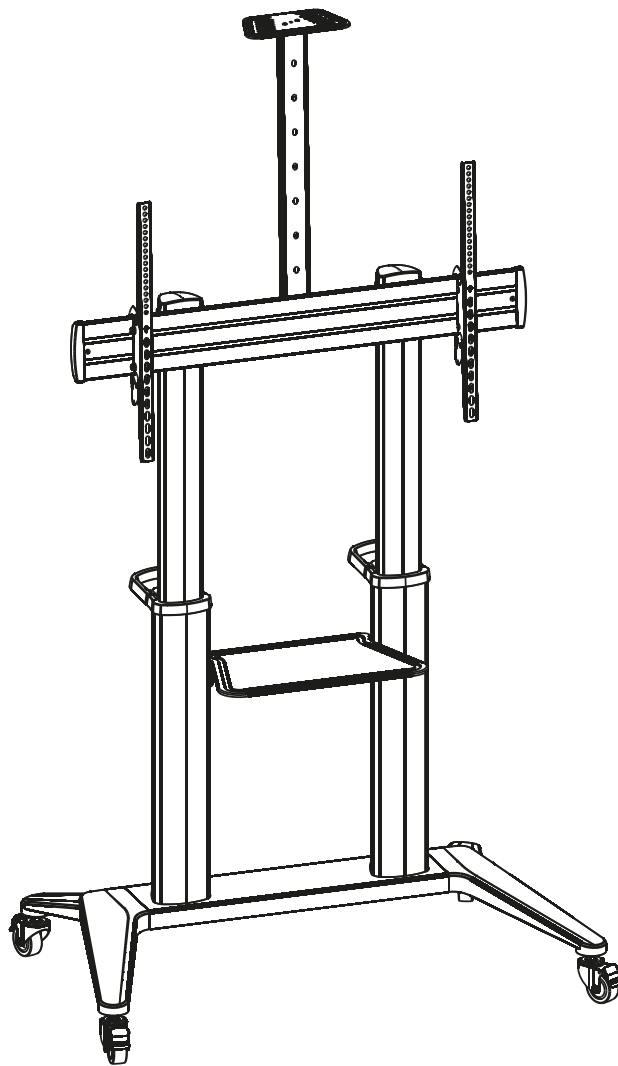




# COLLABORATION TROLLEY / TV PRESENTATION CART

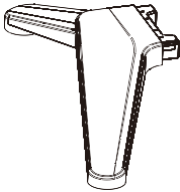
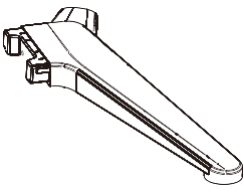


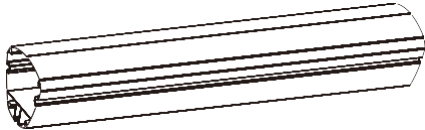









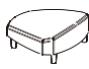


















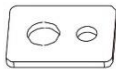

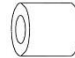
**Mounting instructions**

DA-90452

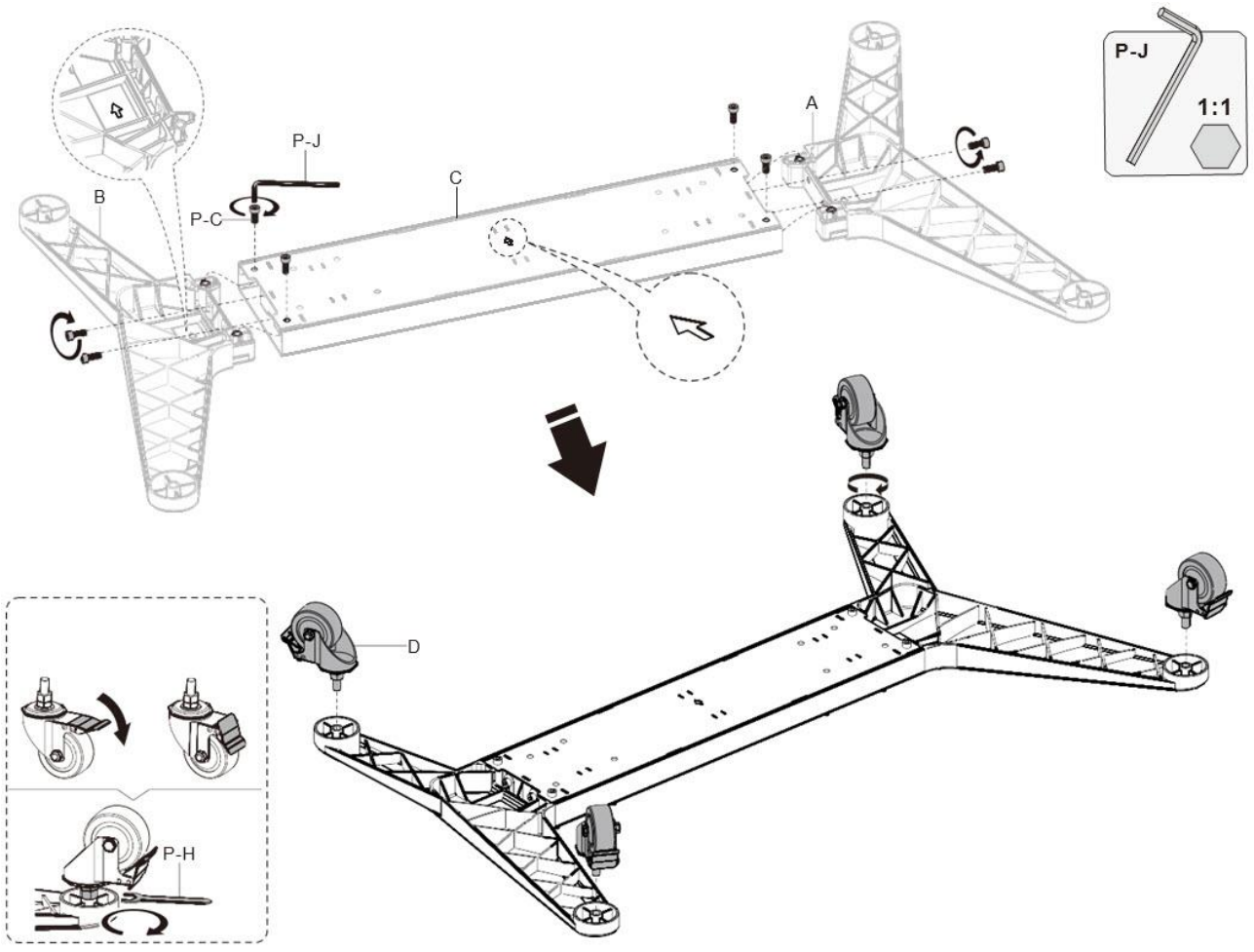
## Component Checklist

**IMPORTANT:** Ensure that you have received all parts according to the component checklist prior to installation.  
If any parts are missing or faulty, contact your place of purchase for a replacement.

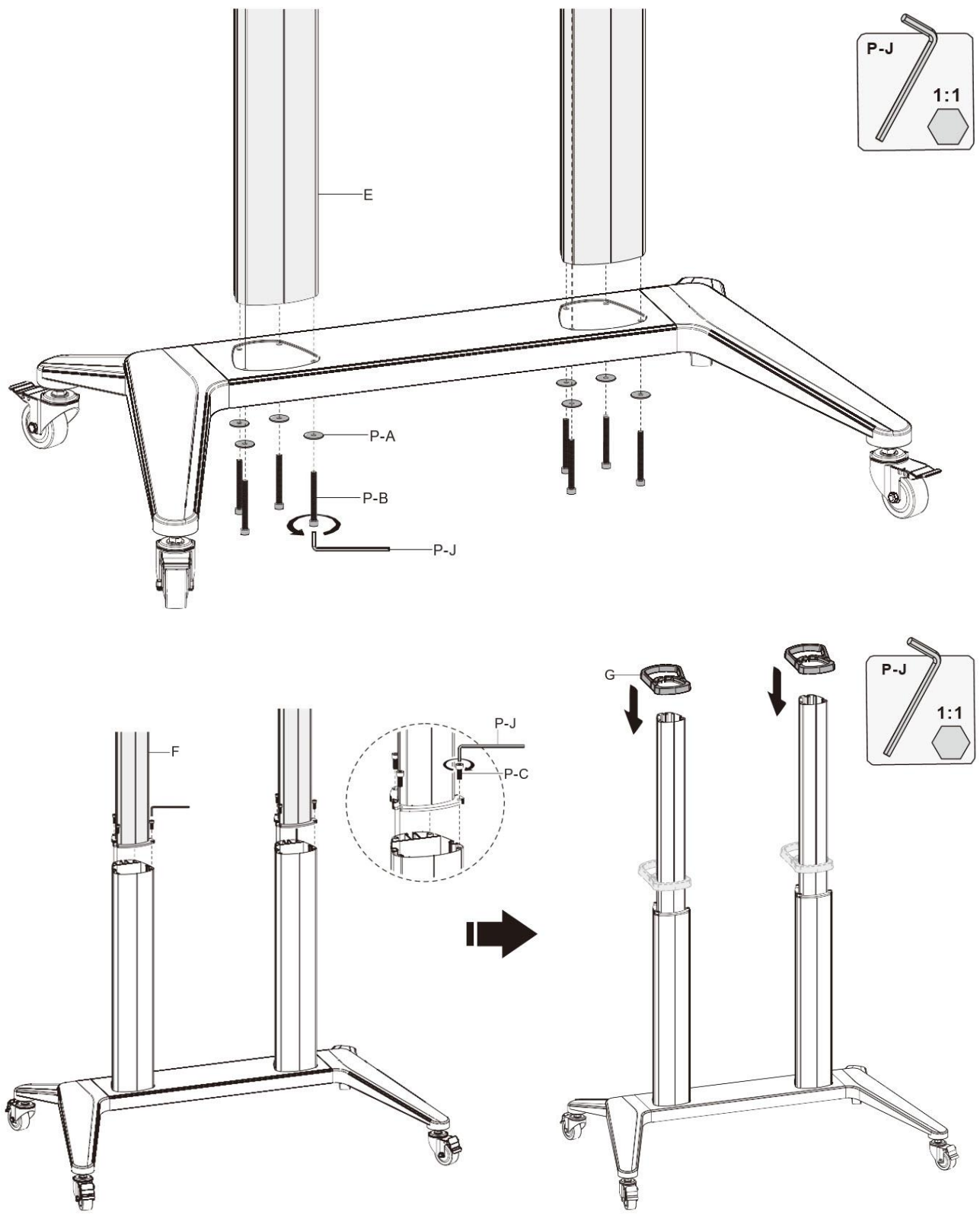
				
Left leg A (x1)	Right leg B (x1)	Cross bracket C (x1)	Caster D (x4)	
				
Lower column E (x2)	Upper column F (x2)	Handle G (x2)		
				
Mounting plate assembly H (x1)	AV equipment shelf I (x1)	Left TV bracket J (x1)		
				
		Right TV bracket K (x1)		
				
Camera shelf L (x1)	Connecting bracket M (x1)			
				
End cap N (x2)	Top cover O (x2)	Cable cover P (x16)		
<b>Package P</b>				
				
Washer P-A (x8)	M8x80 P-B (x8)	M8x20 P-C (x16)	M5x8 P-D (x2)	M8x12 P-E (x2)
				
Spacer P-F (x1)	M6 wrench P-G (x1)	M12 wrench P-H (x1)	5mm Allen key P-I (x1)	6mm Allen Key P-J (x1)

Package M			
 M5x14 (x4) M-A	 M6x14 (x4) M-B	 M6x30 (x4) M-C	 M8x30 (x4) M-D
 M8x50 (x4) M-E	 Washer (x4) M-F	 Small spacer (x8) M-G	 Big spacer (x8) M-H

**1. Assemble the Base**



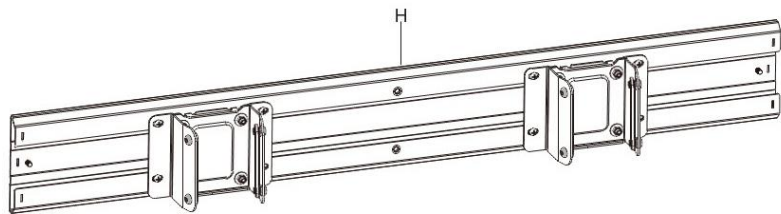
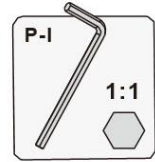
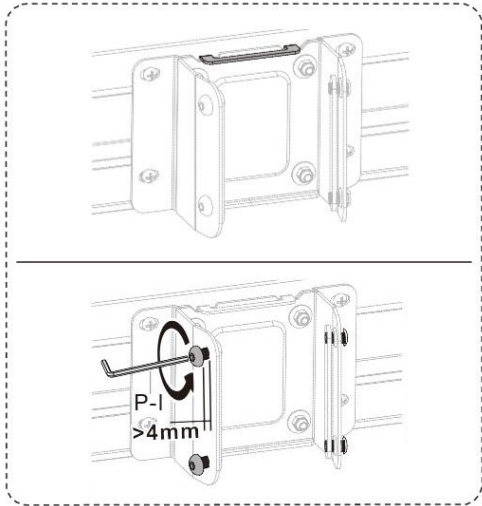
## 2. Assemble the Columns



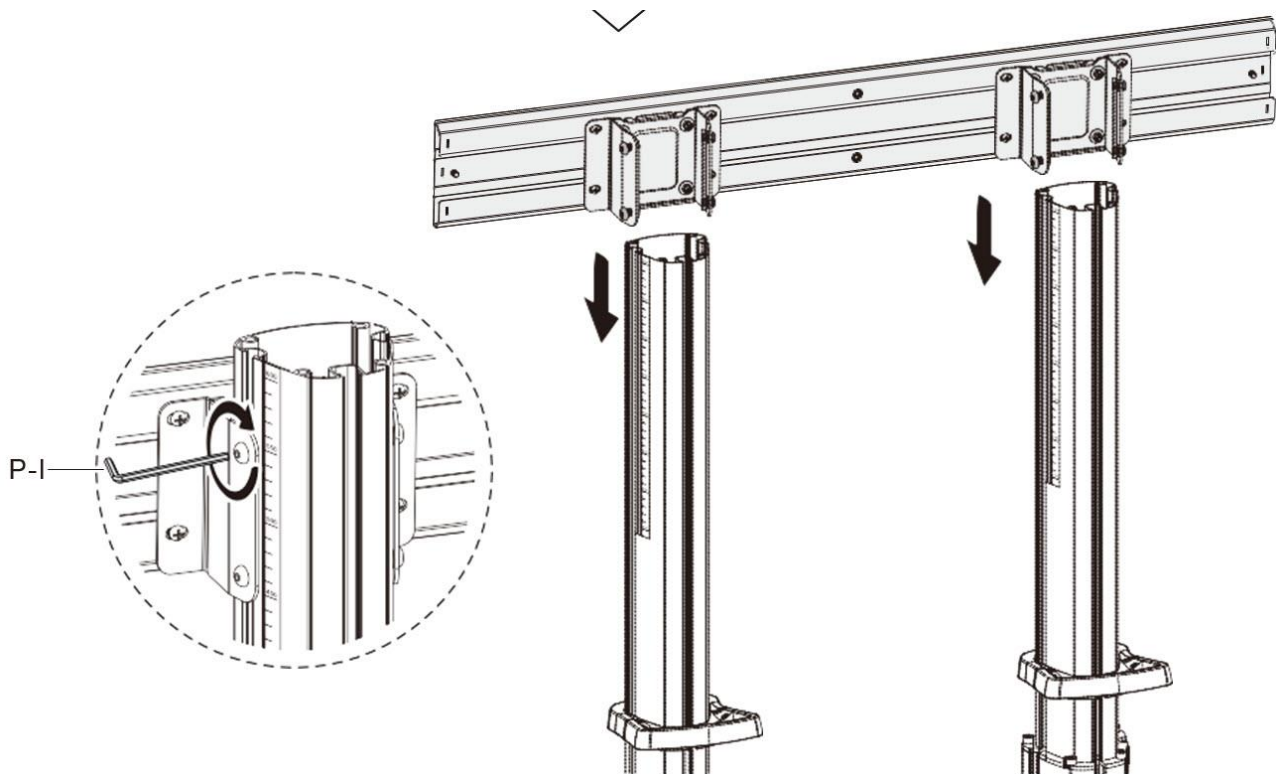
### 3. Attache the Mounting Plate to the Column



Before attaching, ensure the ends of the mounting plates with protruding parts face upwards.

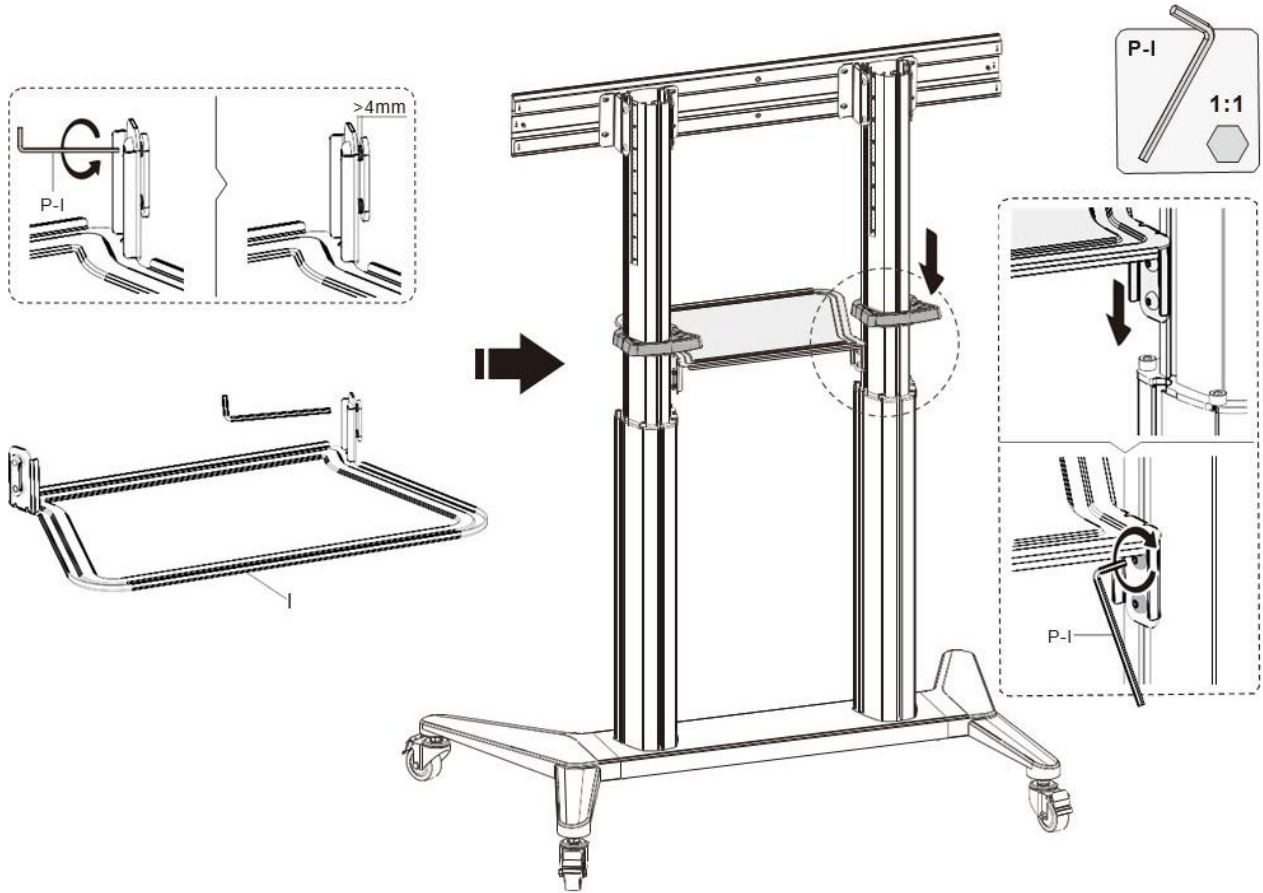


Loosen the screws to leave a gap over 4 mm

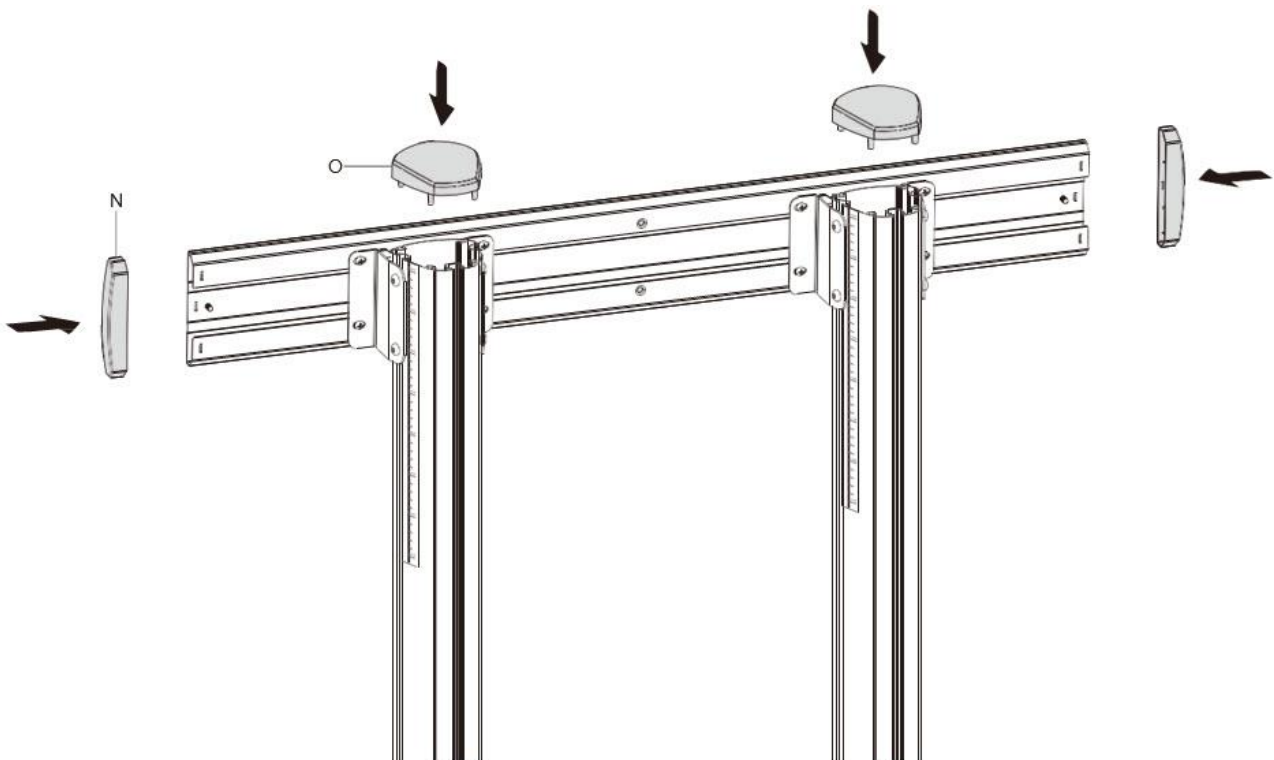


#### 4. Assemble the AV Equipment Shelf

Loosen the screws to leave a gap over 4 mm

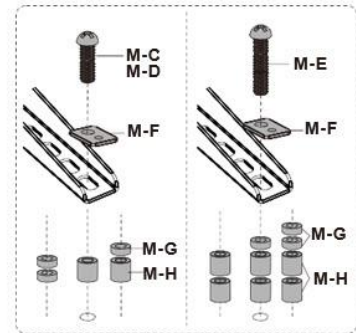
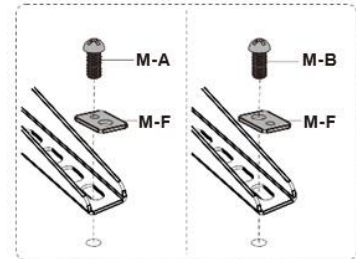
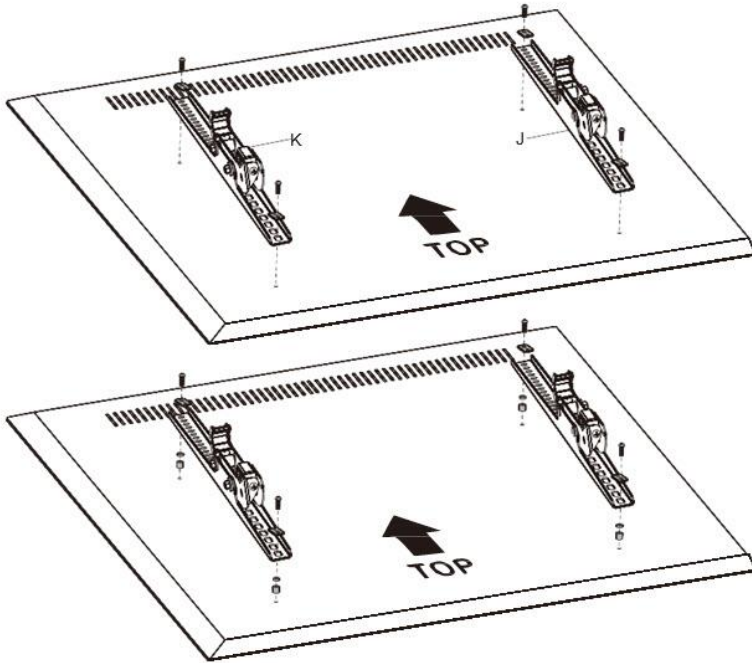
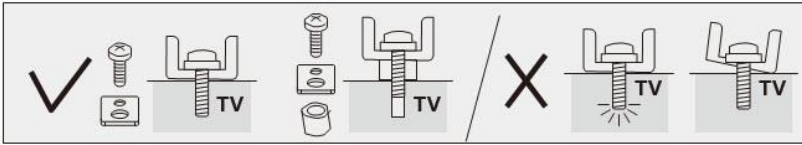


#### 5. Assemble the Top Covers and End Caps





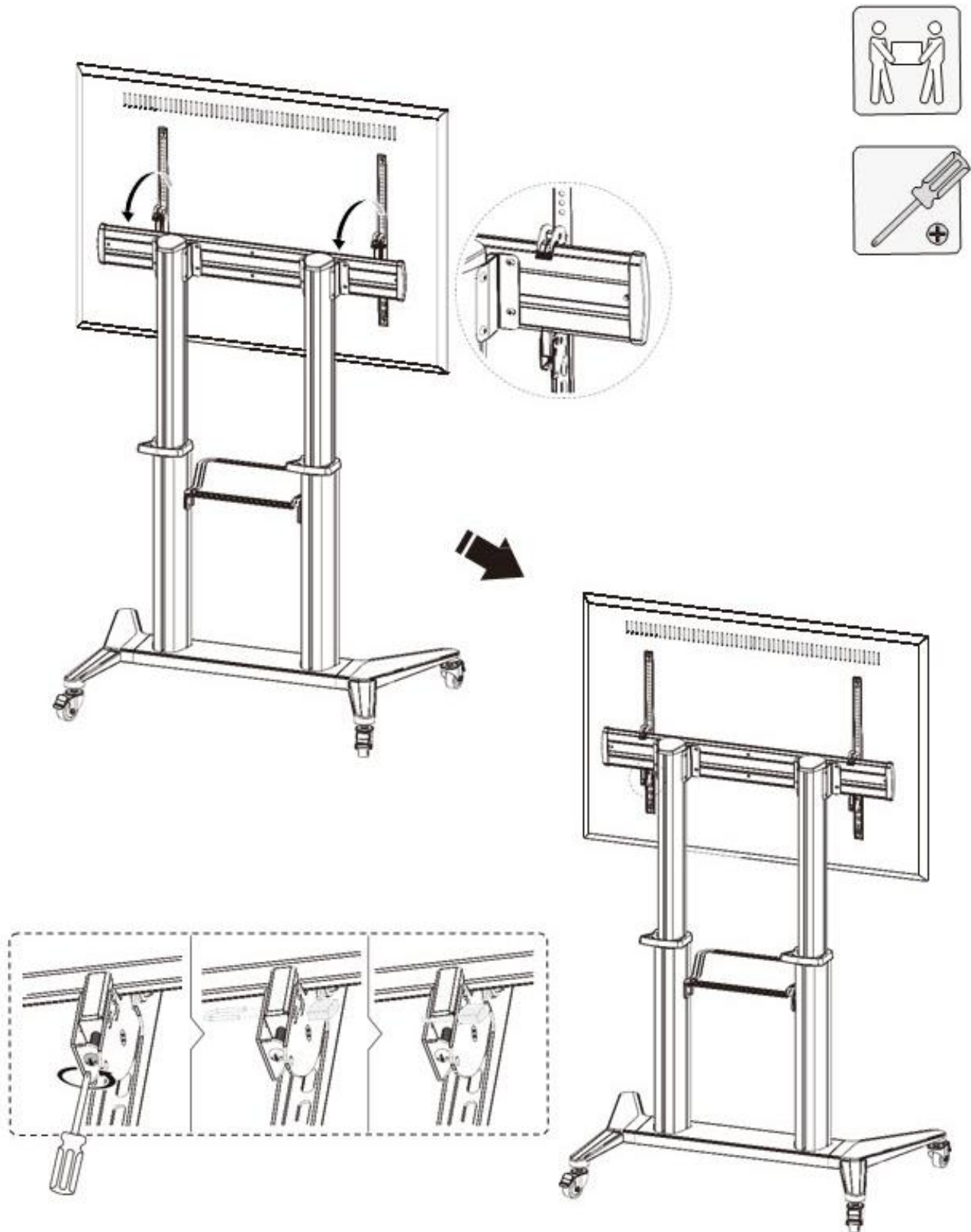
## 6. Attach TV Bracket to Flat Back Screen/Irregular Back Screen



1:1

M-A			M-B		
M-C			M-D		
M-E			M-F		
M-G			M-H		

## 7. Hang and Secure the Screen

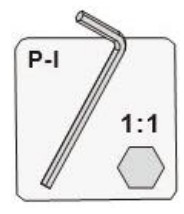
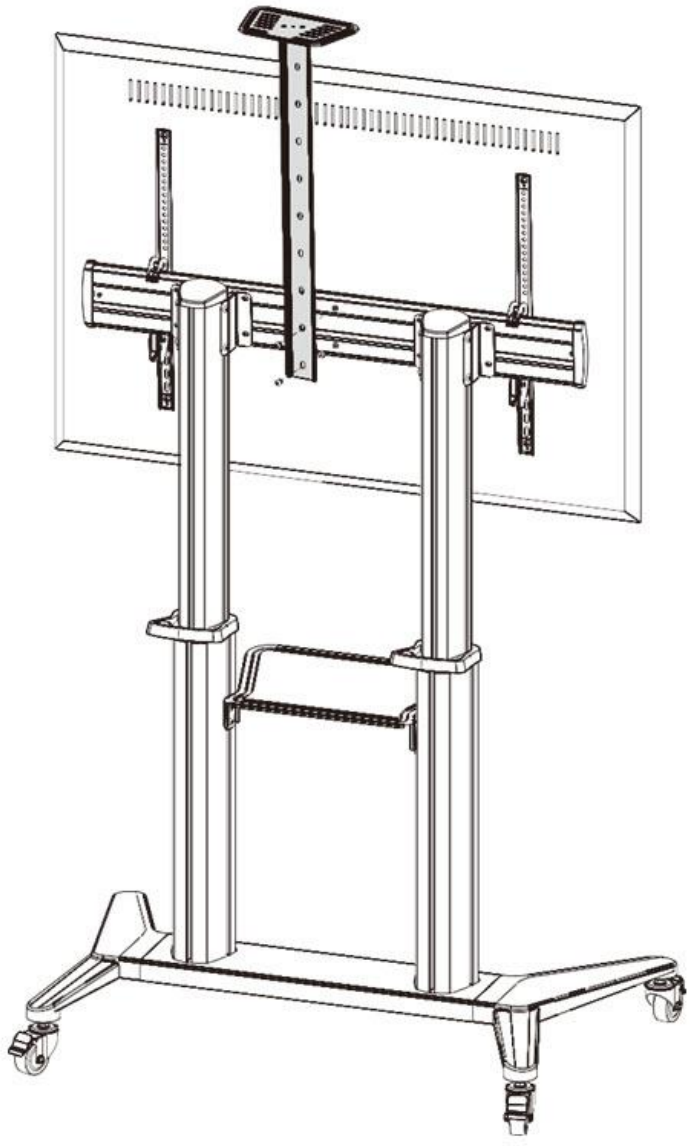
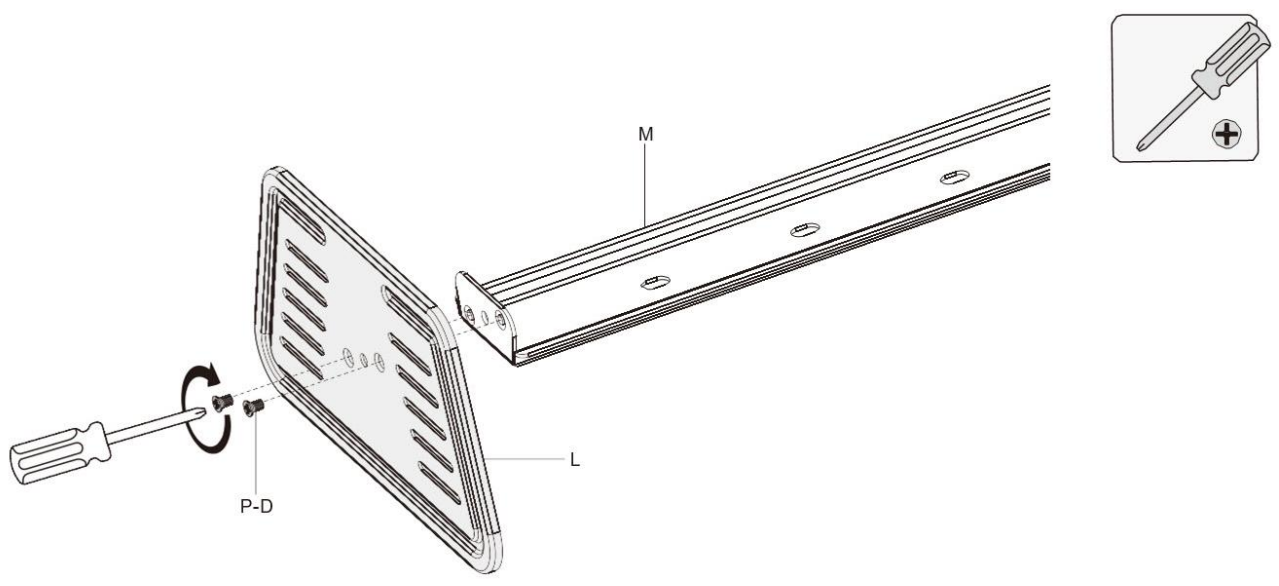


- Turn the bottom screw counterclockwise to tighten it.
- Turn the bottom screw clockwise to loosen it.
- Use a padlock to prevent the theft of display. (padlock is not included.)

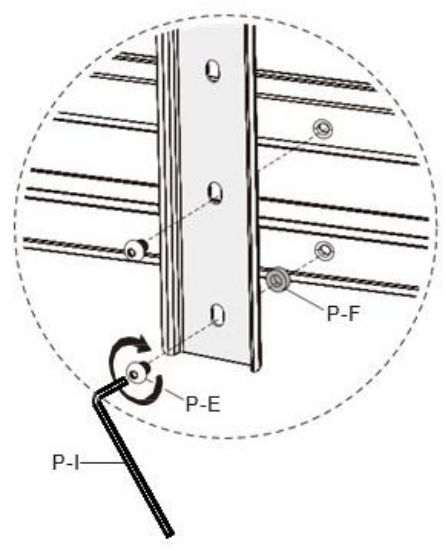
**IMPORTANT:** Make sure the display is correctly mounted before releasing the display.



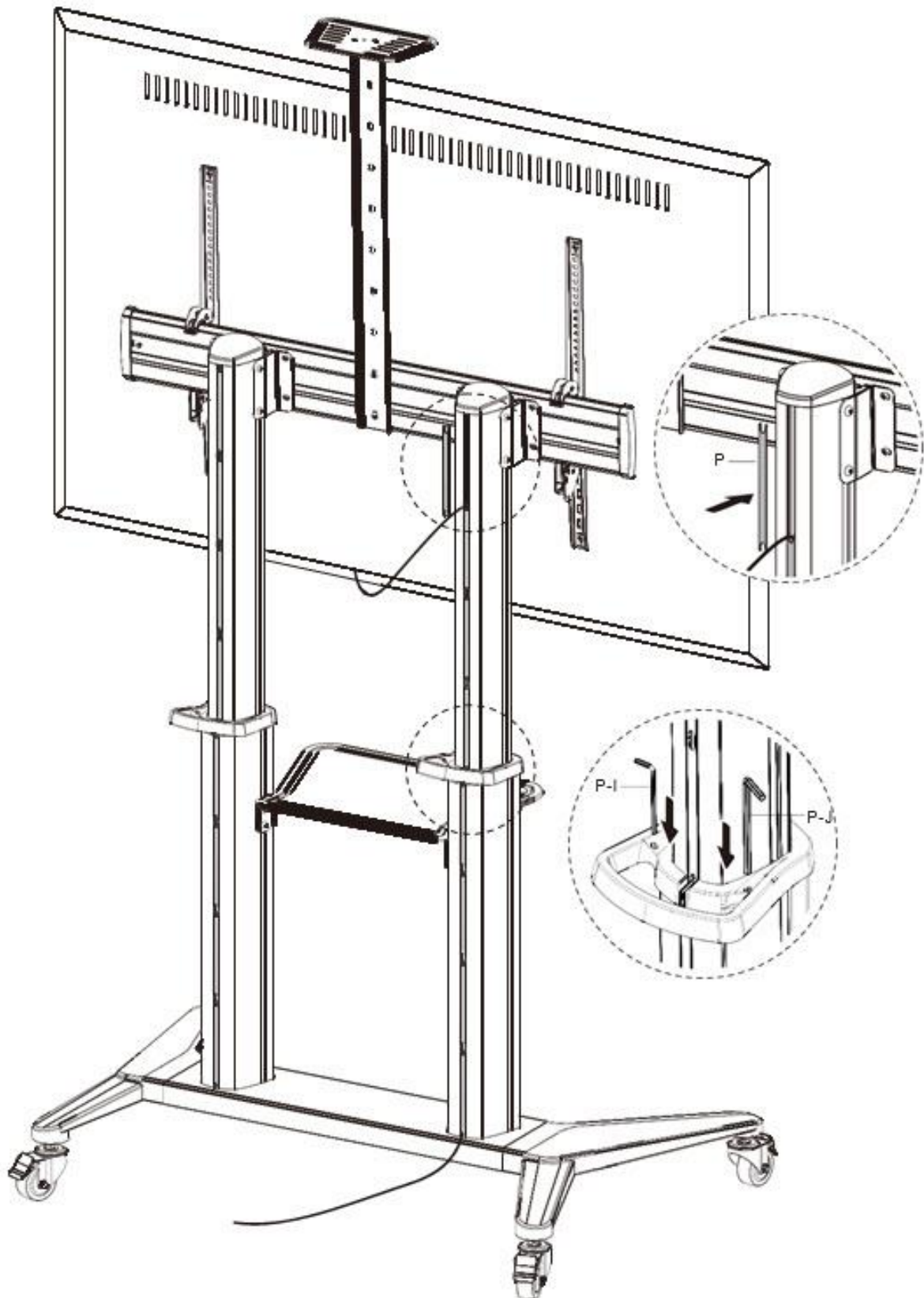
## 8. Assemble the Camera Shelf



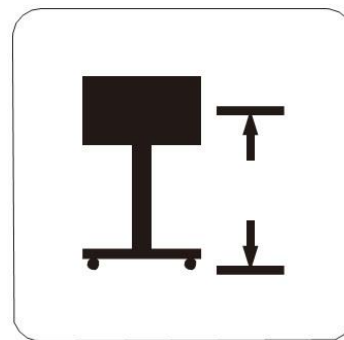
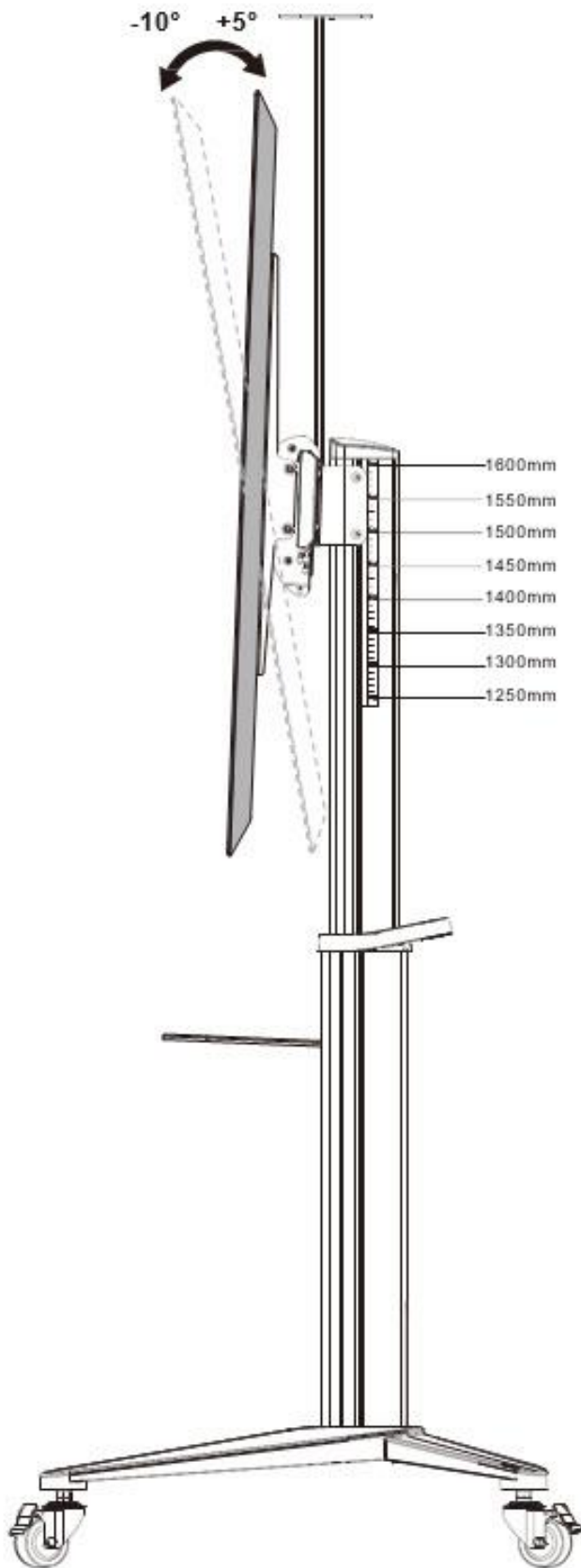
Attach the camera shelf to proper position according to the TV size



## 9. Cable Management

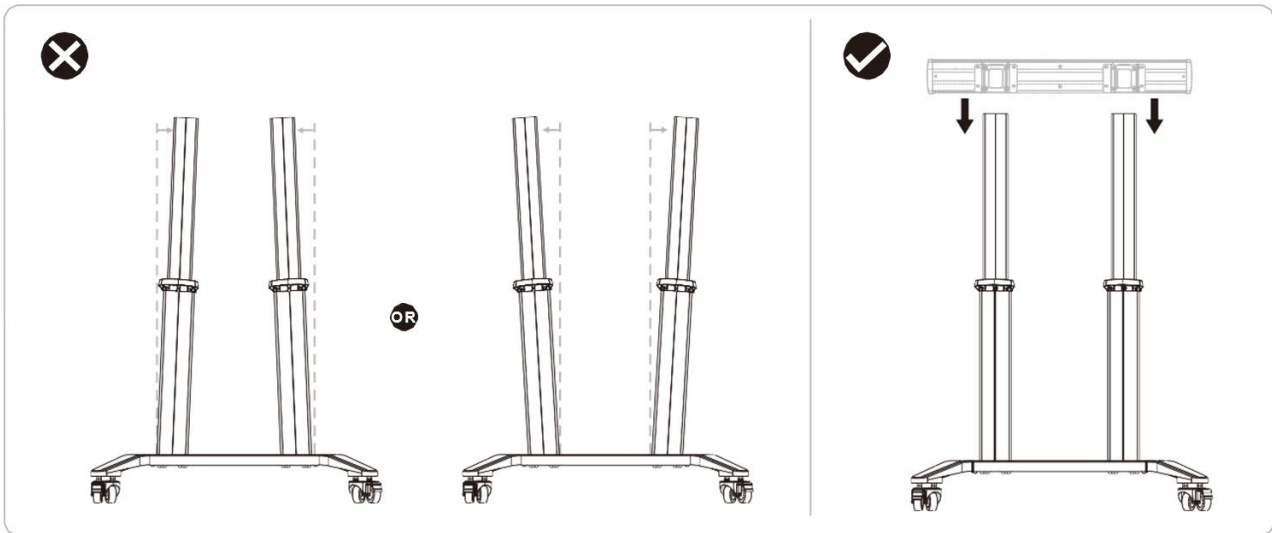


## 10. Adjustment

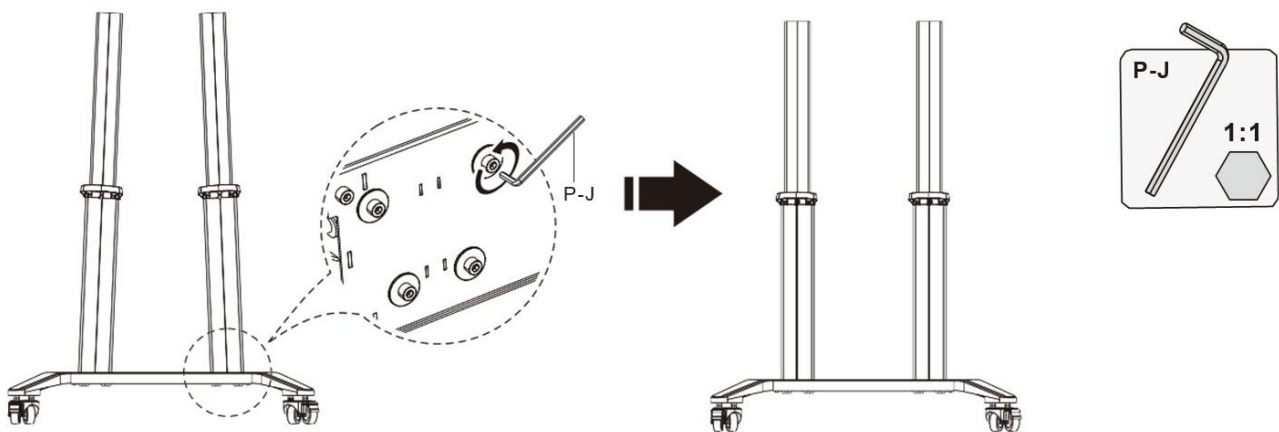


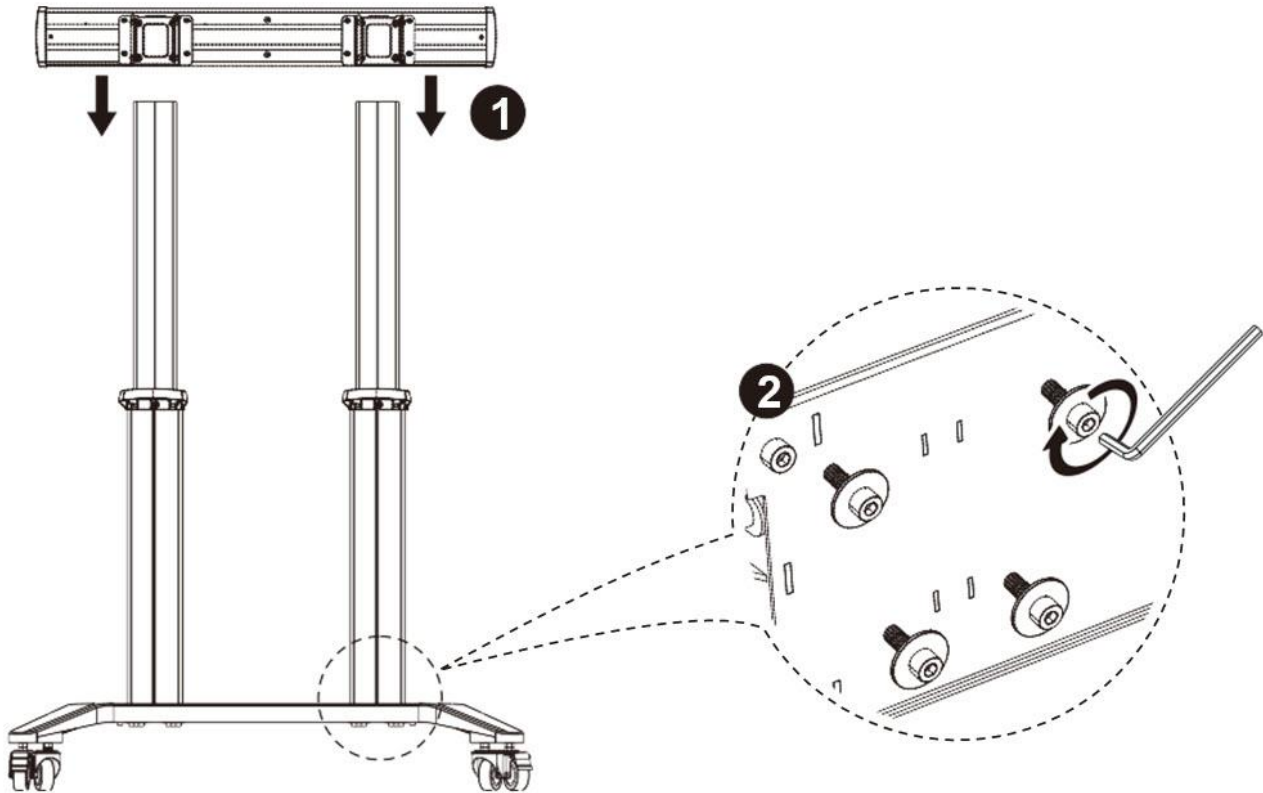
Height markings represent the distance from the floor to the center of the TV screen.

## 11. Troubleshooting



If the columns are not properly aligned, the mounting plate may fail to attach to the columns. Follow the steps below to re-assemble the columns.





**Maintenance**

- Check if the bracket is secure and safe to use at regular intervals (at least every three months).
- Please contact your distributor if you have any questions.