



MTW-1098

denver.eu

March , 2023



FR

Cet appareil, ses
cordons et ses
accessoires sont
recyclables

À DÉPOSER
EN MAGASIN



À DÉPOSER
EN DÉCHÈTERIE



OU

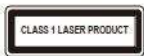
Points de collecte sur www.quefairemesdechets.fr
Privilégiez la réparation ou le don de votre appareil !



Safety information

Please read the safety instructions carefully before using the product for the first time and keep the instructions for future reference.

1. This product is not a toy. Keep it out of reach of children.
2. Warning: This product includes lithium polymer battery.
3. Keep product and batteries out of the reach of children and pets to avoid chewing and swallowing
4. Product operating and storage temperature is from 0 degree Celsius to 40 degree Celsius. Under and over this temperature might affect the function.
5. Only use the original adaptor which are supplied with the model.
6. Never open the product: the device may contain parts with deadly voltage.
7. Repairs or service should only be performed by qualified personnel.
8. Please notice that the standby button on the remote control only put the unit in standby.
9. The direct plug-in adapter is used as disconnect device, the disconnect device shall remain readily operable. So, make sure there is space around the power outlet for easy access.
10. Please protect your ears against loud volume. Loud volume can damage your ears.
11. Do not expose to heat, water, moisture, direct sunlight!
12. This lightning flash with arrowhead symbol within an equilateral triangle is intended to alert the user to the presence of non-insulated "dangerous voltage" within the product's enclosure that may be of sufficient magnitude to constitute a risk of electric shock. To reduce the risk of electric shock, do not remove cover (or back) as there are no user-serviceable parts inside. Refer servicing to qualified personnel.



ATTENTION: this symbol indicates that this appliance is a class 1 laser product.

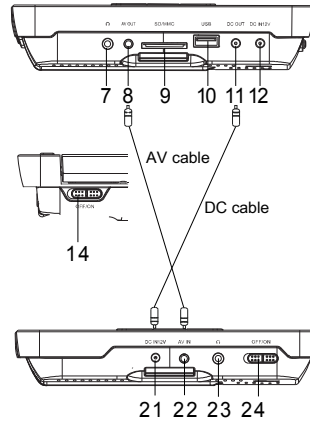
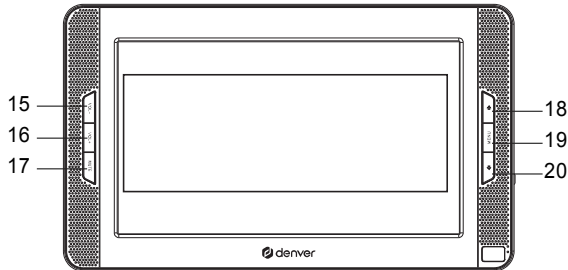
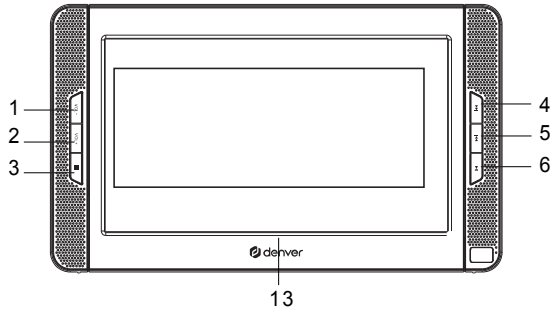
- Do not try to open the cover or look at the laser beam.
- Never touch the laser lens inside the compartment.

Denver A/S reserve the rights for print errors

Denver A/S cannot be held responsible for any technical or typographical errors and reserves the right to make changes to the product and manuals without prior notice. If you detect any inaccuracies or omissions, please inform us at the address on the back cover.

Identification of Controls

Main Unit

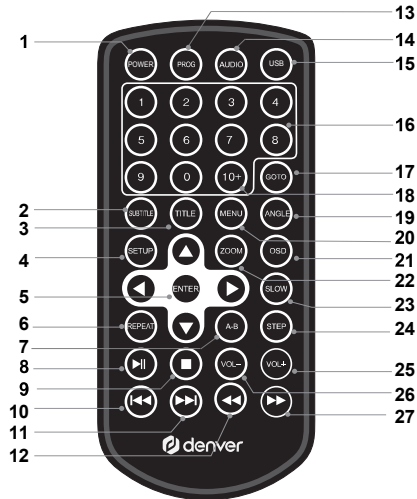


1. VOL-
2. VOL+
3. ■ STOP
4. ▾ Down / Next
5. ▹ Up / Prev
6. ⏸ PLAY/PAUSE
7. 🎧 Earphone Socket
8. AV OUT
9. SD CARD
10. USB
11. DC OUT 12V
12. DC IN 12V
13. OPEN. Slide button to open the lid, insert DVD, close lid and turn on
14. TURN ON/OFF

15. VOL-
16. VOL+
17. MUTE
18. ⬆ Up
19. MENU
20. ▾ Down
21. DC IN 12V
22. AV IN
23. 🎧 Earphone Socket
24. TURN ON/OFF

Identification of Controls

Remote control unit



1. POWER

2.SUBTITLE

Press SUBTITLE repeatedly during playback to hear a different subtitle languages.

3.TITLE

Return to DVD title menu.

4.SETUP

Accesses or removes setup menu.

5.ENTER

Confirms menu selection.

6.REPEAT

Press REPEAT during playback to select a desired repeat mode.

DVD: you can play select repeat chapter/title/off.

CD/VCD: you can select repeat single/all/off.

7.A-B

Press A-B a third time to cancel A-B repeat and clear points A and B.

Note: During AVI/CD /VCD/SVCD playback, points A and B must be within the same track.

During AVI/DVD playback, points A and B can be selected from different chapters.

8.PLAY/PAUSE

Press PLAY/PAUSE once to pause playback, pressing PLAY/PAUSE second time will resume the playback.

9.STOP

When this button is pressed once, the unit records the stopped point, from where playback will resume if PLAY (▶) is pressed after wards. But if STOP button is pressed again instead of PLAY (▶) button, there will be no resume function.

10.Reverse Skip

Go to previous chapter/ track to the beginning.

11.Forward Skip

Go to next chapter/ track.

12. ◀▶ BUTTON

Press ◀▶ BUTTON allow skipping back at 5-level speed (X2->X4->X8->X16->X32->PLAY), press PLAY button return to normal playback.

13.PROGRAM

Press PROG to get programme menu when reading DVD & VCD, then program your wanted songs.

This function is unavailable for MP4.

Identification of Controls

Remote control unit

14. AUDIO

DVD: Press AUDIO repeatedly during playback to hear a different audio language or audio track, if available.

CD/VCD: Press AUDIO repeatedly during playback to hear a different audio channel (Left, Right, Mix, Stereo).

15. USB

16. 0-9 NUMBER BUTTON

Selects numbered items in a menu.

17. GOTO

Goto time point , title or chapter you want in DVD Mode.

18. 10+ BUTTON

In order to select a track 10 or greater, first press 10+, For example; select track 12, first press 10+, and then press number 2 button.

19. ANGLE

DVD: Press ANGLE will change the view angle, on DVDs that support this feature.

20. MENU

Return to DVD root menu(DVD).

21. OSD

To display the playtime and status information.

22. ZOOM

DVD/VCD: Use ZOOM to enlarge or shrink the video image.

1. Press ZOOM during playback or still playback to activate the Zoom function. The square frame appears briefly in the right bottom of the picture.

2. Each press of the ZOOM button changes the TV screen in the following sequence:

2X size → 3X size → 4X size → 1/2 size → 1/3 size → 1/4 size → normal size

23. SLOW

Press Slow button repeatedly to enter slow playback, and cycle between different speeds. The speeds are 1/2, 1/4, 1/8, 1/16, and normal.

24. STEP

Step the motion in DVD mode.

25. VOL+

26. VOL-

Adjust volume

27. ►► BUTTON

Press ►► BUTTON allow skipping ahead at 5-level speed (X2->X4->X8->X16->X32->PLAY), press PLAY button return to normal playback.

Set on "PARENTAL" and press "PARENTAL" and choose the desired rating. Then input the code "0000" and enter it, the desired rating you choosed is effective.

The original factory code is "0000". If you want to change the code, Set on "password" and press "change", Input the old password "0000", then input the new code and confirm.

Parameters and specifications

Electronical parameters

Item	Standard requirement
Power requirements	: AC 100-240 V , 50/60 Hz
Power consumption	: =18W
Operating humidity	: 5 % to 90 %

System

Laser	:Semiconductor laser, wavelength 650 nm
Signal system	: NTSC / PAL /AUTO
Frequency response	: 20Hz to 20 kHz(1dB)
Signal-to-noise ratio	:More than 80 dB (ANALOG OUT connectors only)
Dynamic range	:More than 85 dB (DVD/CD)

Note: Design and specifications are subject to change prior notice.

Battery Parameters

Battery Specifications:
Output: 7.4V

Charge / Discharge Time:
Standard charge time: 3h ~ 4h

Storage and work circumstances:

1. Storage circumstances	Temperature	Humidity
6 months	-20°C ~ +45°C	65±20%
1 week	-20°C ~ +65°C	65±20%
2. Work circumstances	Temperature	Humidity
Standard charge	0°C ~ +45°C	65±20%
Standard discharge	-20°C ~ +65°C	65±20%

Manufacturer's name or trade mark, commercial registration number and address	Shenzhen Run Sheng Feng Power Supply Technology Co., Ltd commercial registration number: 91440300580068676U 3 rd Floor, 4 th Building, Zone A Xinfu Industrial Park, Chongqing Road, Fuyong Street, Bao'an District, Shenzhen, China
Model identifier	RSF-DY077A-1201500EU
Input voltage	100-240V
Input AC frequency	50/60Hz
Output voltage	12V
Output current	1.5A
Output power	18W
Average active efficiency	87.73% at 115V/60Hz 88.26% at 230V/50Hz
Efficiency at low load (10%)	87.68% at 115V/60Hz 85.99% at 230V/50Hz
No-load power consumption	0.04W at 115V/60Hz 0.07W at 230V/50Hz

Please notice - All products are subject to change without any notice. We take reservations for errors and omissions in the manual.

ALL RIGHTS RESERVED, COPYRIGHT DENVER A/S



Electric and electronic equipment and included batteries contains materials, components and substances that can be hazardous to your health and the environment, if the waste material (discarded electric and electronic equipment and batteries) is not handled correctly.

Electric and electronic equipment and batteries is marked with the crossed out trash can symbol, seen below. This symbol signifies that electric and electronic equipment and batteries should not be disposed of with other household waste, but should be disposed of separately.

As the end user it is important that you submit your used batteries to the appropriate and designated facility. In this manner you make sure that the batteries are recycled in accordance with legislature and will not harm the environment.

All cities have established collection points, where electric and electronic equipment and batteries can either be submitted free of charge at recycling stations and other collection sites, or be collected from the households. Additional information is available at the technical department of your city.

DENVER A/S
Omega 5A, Soeften
DK-8382 Hinnerup
Denmark
www.facebook.com/denver.eu

Contact

Nordics

Headquarter
Denver A/S
Omega 5A, Soefften
DK-8382 Hinnerup
Denmark

Phone: **+45 86 22 61 00**
(Push "1" for support)

E-Mail
For technical questions, please write to:
support.hq@denver.eu

For all other questions please write to:
contact.hq@denver.eu

Benelux

DENVER BENELUX B.V.
Barwoutswaarder 13C+D
3449 HE Woerden
The Netherlands

Phone: **0900-3437623**

E-Mail: **support.nl@denver.eu**

Spain/Portugal

DENVER SPAIN S.A
Ronda Augustes y Louis Lumiere, nº 23 – nave 16
Parque Tecnológico
46980 PATERNA
Valencia (Spain)

Spain

Phone: **+34 960 046 883**
Mail: **support.es@denver.eu**

Portugal:

Phone: **+35 1255 240 294**
E-Mail: **denver.service@satfiel.com**

Germany

Denver Germany GmbH Service
Max-Emanuel-Str. 4
94036 Passau

Phone: **+49 851 379 369 40**

E-Mail
support.de@denver.eu

Fairfixx GmbH
Repair and service
Rudolf-Diesel-Str. 3 TOR 2
53859 Niederkassel

(for TV, E-Mobility/Hoverboards/Balanceboards,
Smartphones & Tablets)

Tel.: **+49 851 379 369 69**
E-Mail: **denver@fairfixx.de**

Austria

Lurf Premium Service GmbH
Deutschstrasse 1
1230 Wien

Phone: **+43 1 904 3085**
E-Mail: **denver@lurfservice.at**

If your country is not listed above,
please write an email to
support@denver.eu



DENVER A/S
Omega 5A, Soefften
DK-8382 Hinnerup
Denmark

denver.eu
facebook.com/denver.eu

Version 1.1

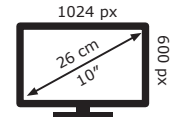


Denver

MTW-1098



7 kWh/1000h



2019/2013