

## 170pcs Standard 5 mm White color LED assortment with LED mount Item No.: 18010014

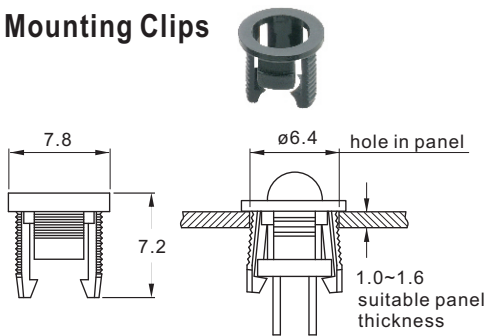
This range of experiments and practitioners from warm white to cold white standard LEDs with a diameter of 5 mm.

Through resistor combinations of parallel or series connection or varying the supply voltage, different operating currents (brightnesses) can be realized. Addition LED mounting clips for easy mount and installation onto casing or panel.

A brief description of the components contained is clearly printed on the inside of the lid.

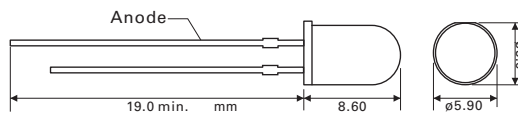


### LED Mounting Clips



Material: PA66, 94V-2  
Color: Black  
Operating Temperature: -10~75°C

### Ø 5 mm LED Diode



| Light Source                   | Warm White  | Natural White | Cold White  |
|--------------------------------|-------------|---------------|-------------|
| Lens color                     | Water clear | Water clear   | Water clear |
| Chip material                  | InGaPAlP    | InGaPAlP      | InGaPAlP    |
| Wavelength / color temperature | 2500-2700K  | 4000-4500K    | 6000-6500K  |
| Max. Luminous intensity        | 20000 mcd   | 14000 mcd     | 14000 mcd   |
| Viewing angle (typ.)           | 25°         | 25°           | 20°         |
| Forward current (max.)         | 20 mA       | 20 mA         | 20 mA       |
| Forward voltage (typ.)         | 3.0 V       | 3.0 V         | 3.0 V       |
| Operating temperature          |             | -25°C - 80°C  |             |
| Storage temperature            |             | -30°C - 100°C |             |