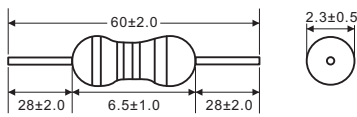


## 130pcs 5mm Standard LED assortment with LED mount and pre-resistor Item No.: 2017110002

This range of experiments and practitioners with superbright standard LEDs with a diameter of 5 mm and various series resistors is ideal for immediate start in experiments with semiconductor light. Through resistor combinations of parallel or series connection or varying the supply voltage, different operating currents (brightnesses) can be realized. Addition LED mounting clips for easy mount and installation onto casing or panel. A brief description of the components contained is clearly printed on the inside of the lid.



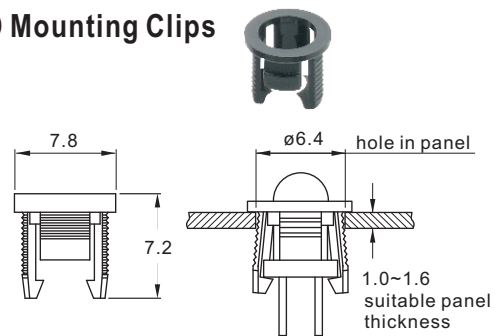
### Carbon Film Fixed Resistor



	1st digit	2nd digit	multiply	tolerance
Black	0	0	1Ω	
Brown	1	1	10Ω	1%
Red	2	2	100Ω	2%
Orange	3	3	1KΩ	
Yellow	4	4	10KΩ	
Green	5	5	100KΩ	0.50%
Blue	6	6	1MΩ	0.25%
Violet	7	7	10MΩ	0.10%
Grey	8	8		0.05%
White	9	9		
Gold				5%
Silver				10%

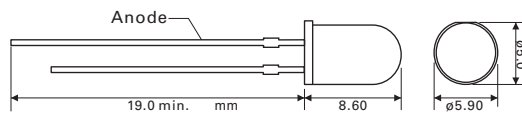
Resistance - 220Ω, 470Ω, 680Ω, 1KΩ  
 Rated Power - 0.25W  
 Maximum Working Voltage - 250V  
 Maximum Overload Voltage - 500V  
 Dielectric Withstanding Voltage - 350V

### LED Mounting Clips



Material: PA66, 94V-2  
 Color: Black  
 Operating Temperature: -10~75°C

### ø 5 mm LED Diode



	Red	Blue	Green	Yellow	Cold White	Warm White
Light Source	Red	Blue	Green	Yellow	Cold White	Warm White
Lens color	Diffuse	Diffuse	Diffuse	Diffuse	Water clear	Water clear
Chip material	Gap	InGaAlP	InGaAlP	Gap	InGaAlP	InGaAlP
Wavelength / color temperature	620-625nm	460-470nm	568-572nm	587-590nm	7000-9000K	2800-3200K
Max. Luminous intensity	800 mcd	2000 mcd	120 mcd	800 mcd	14000 mcd	20000 mcd
Viewing angle (typ.)	35°	35°	35°	35°	20°	25°
Forward current (max.)	20 mA	30 mA	20 mA	30 mA	20 mA	20 mA
Forward voltage (typ.)	2.0 V	3.0 V	3.0 V	2.0 V	3.0 V	3.0 V
Operating temperature	-25°C - 80°C					
Storage temperature	-30°C - 100°C					