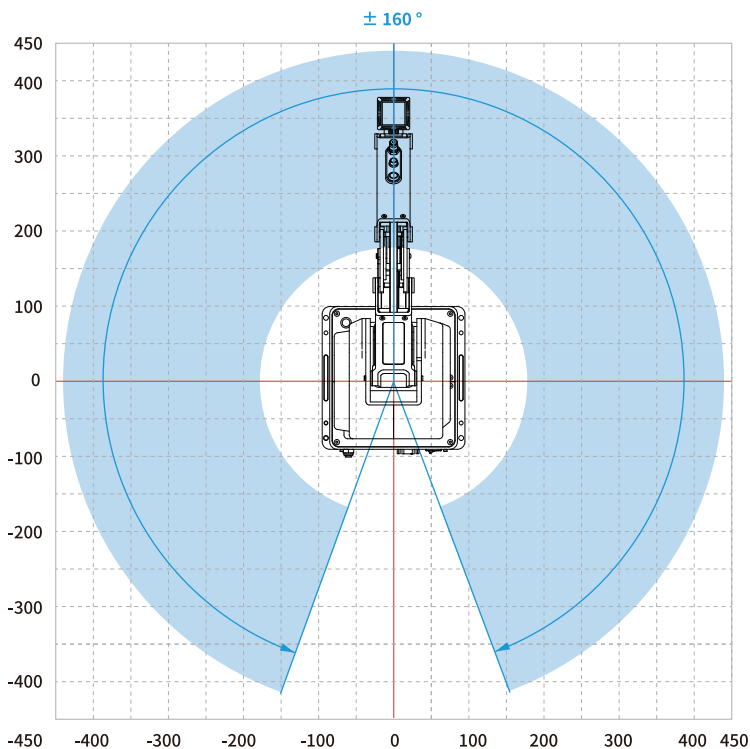
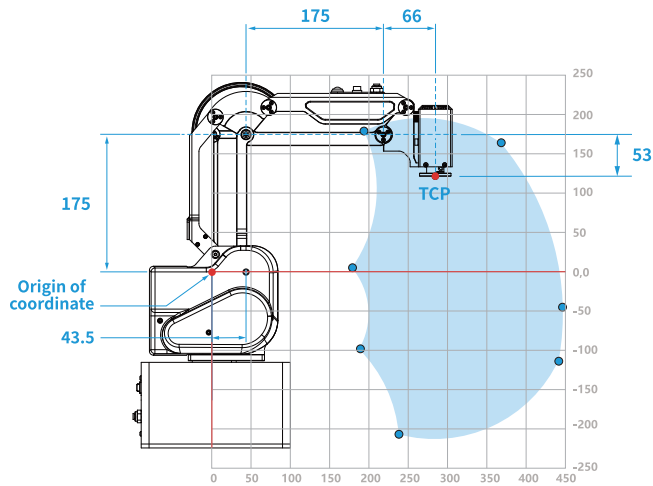




DOBOT MG400

Shenzhen Yuejiang Technology Co.,Ltd | China
www.dobot.cn



Product Name DOBOT MG400
Product Model DT-MG400-4R075-01

Controlled Axes 4
Rated Load 500 g (Max. 750 g)
Max. Reach 440 mm
Repeatability ± 0.05 mm

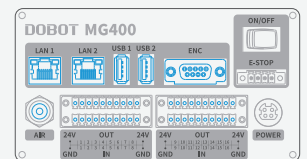
Motion Parameters	Joint	Motion Range	Max. Speed
	J1	$\pm 160^\circ$	300 °/s
	J2	$-25^\circ \sim 85^\circ$	300 °/s
	J3	$-25^\circ \sim 105^\circ$	300 °/s
	J4	$-360^\circ \sim 360^\circ$	300 °/s

Power Input 100~240 V AC, 50/60 Hz
Rated Voltage DC 48 V
Rated Power 150 W
Communication TCP/IP, Modbus TCP
Installation Desktop
Weight 8 kg
Base Dimension 190 mm \times 190 mm
Work environment 0 °C~40 °C
Software DobotStudio Pro, SCStudio

Interface

Base: Digital Input 16
Digital Output 16
Ethernet 2
USB 2.0 2
Encoder Input 1
Air way 1

End: Digital Input 2
Digital Output 2
Air way 1



Mounting Drawing

