

## DATASHEET

Item No.: 2899769

---

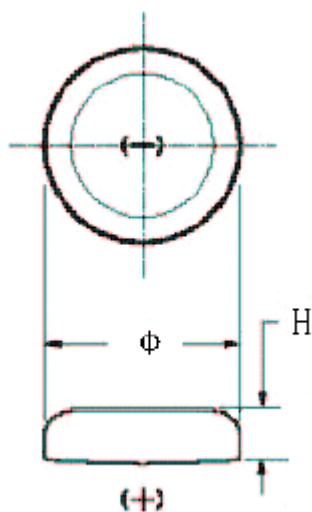
Type designation: LR54 Common: AG10

Chemical system: Alkaline

Nominal voltage: 1.5 V

Average weight: 1.1 g

Dimensions: (mm)



Designation	AG10
Diameter	11.25~11.60
Height	2.75~3.05

Capacity: 75 mAh (10K $\Omega$ , 24h/d, 21°C, end voltage=0.9V)

Operating temperature: 10 °C ~ 25°C

Recommended storage temperature: 20  $\pm$  2°C.

Shelf lifetime: 3 year