



Data Sheet - Fully insulated female spade connector

Last updated: 11 March 2024

Technical Data

Connector type	: Spade Receptacle
Termination method	: Crimp
Insulation type	: Fully insulation
Insulation material	: PA66
Terminal material	: Brass
Terminal plating	: Tin
Terminal thickness	: 0.35 mm
Rated temperature	: -40° ~ 105°C

Technical Table Fully insulated female spade connector

Article number	Wire guide	Wire cross section	Tab size	Rated current	Insulator Color
2899826	AWG 22-18	0.5 - 1.0 mm ²	2.8 x 0.5 mm	10A max.	Red
2899827	AWG 22-18	0.5 - 1.0 mm ²	6.3 x 0.8 mm	10A max.	Red
2899828	AWG 16-14	1.5 - 2.5 mm ²	6.3 x 0.8 mm	15A max.	Blue
2899829	AWG 22-18	0.5 - 1.0 mm ²	4.8 x 0.8 mm	10A max.	Red
2899830	AWG 16-14	1.5 - 2.5 mm ²	6.3 x 0.8 mm	15A max.	Blue
2899831	AWG 22-18	0.5 - 1.0 mm ²	2.8 x 0.8 mm	10A max.	Red

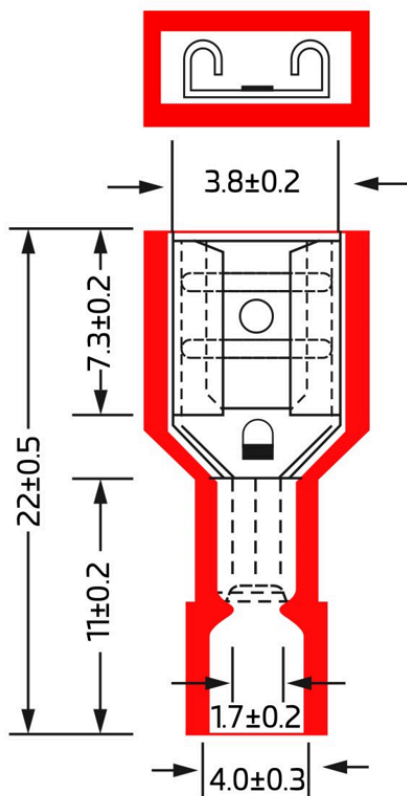
Please find dimensions with line drawings below



Data Sheet - Fully insulated female spade connector

Pictures and drawings

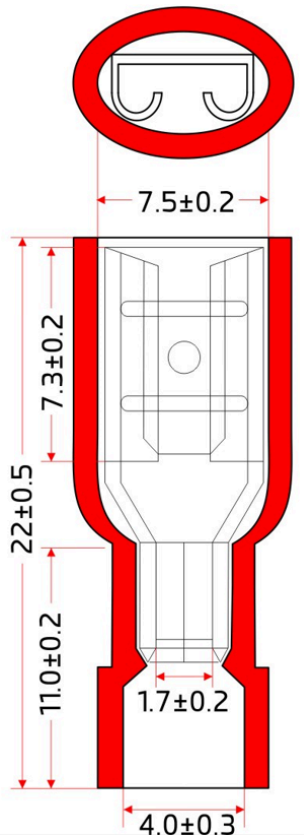
Article No. 2899826





Data Sheet - Fully insulated female spade connector

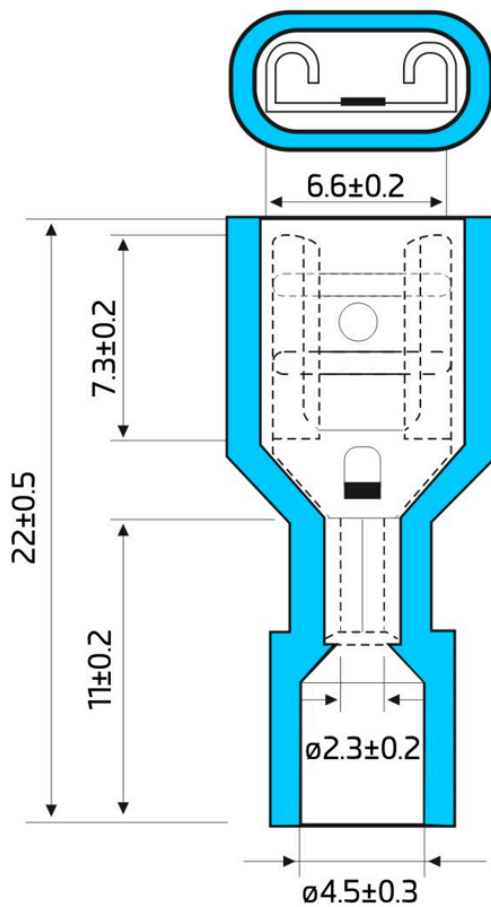
Article No. 2899827





Data Sheet - Fully insulated female spade connector

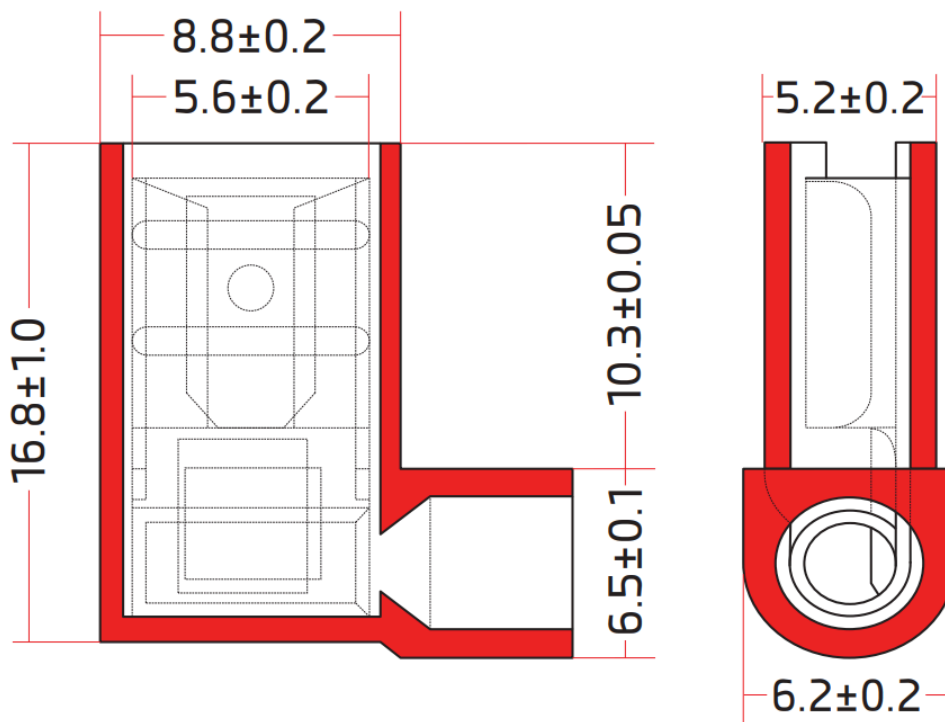
Article No. 2899828





Data Sheet - Fully insulated female spade connector

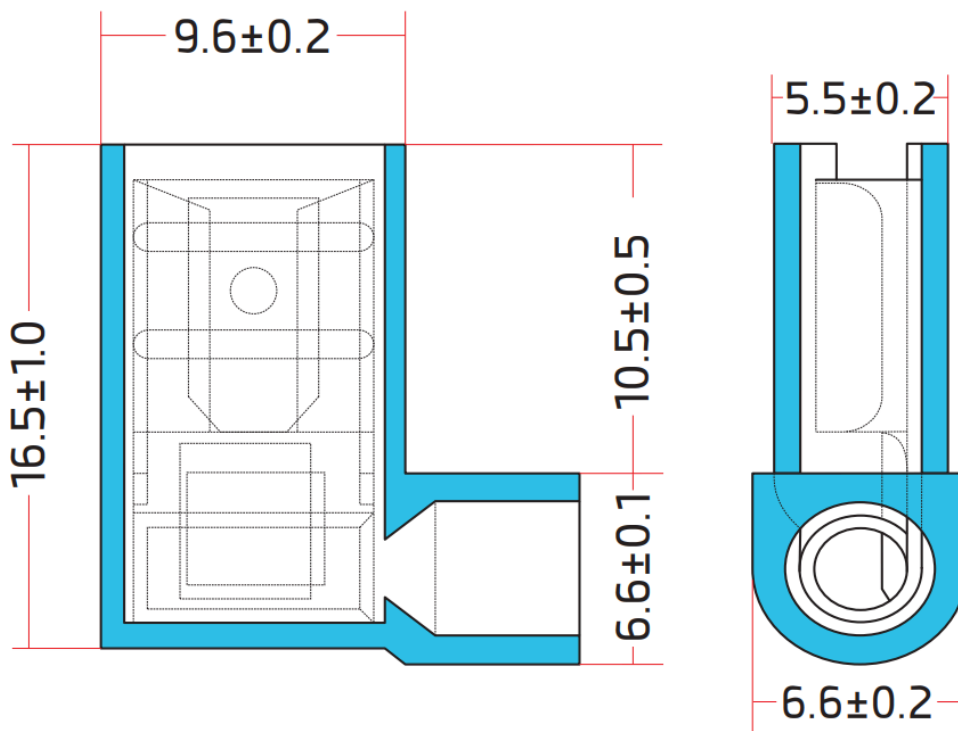
Article No. 2899829





Data Sheet - Fully insulated female spade connector

Article No. 2899830





Data Sheet - Fully insulated female spade connector

Article No. 2899831

