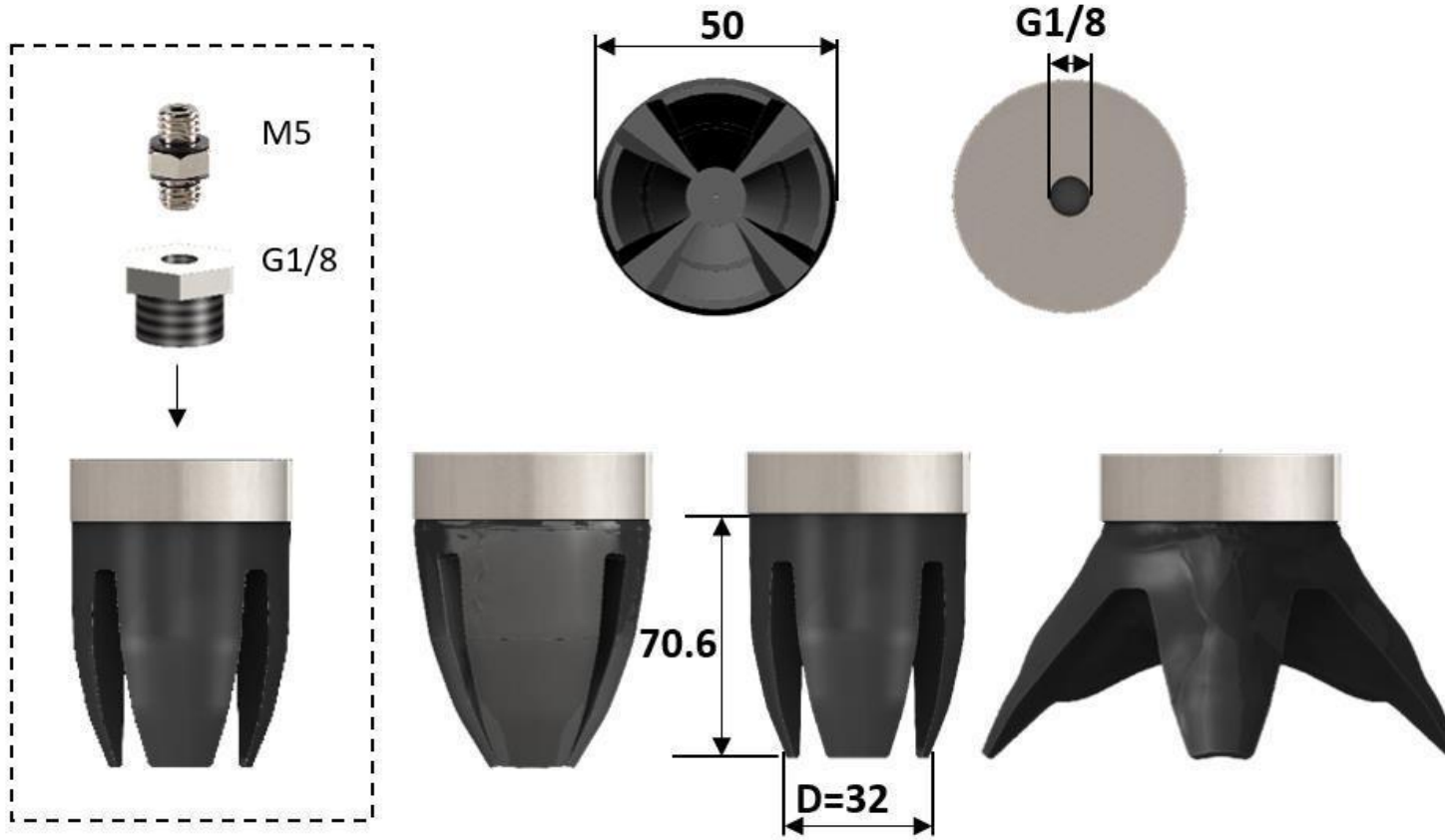
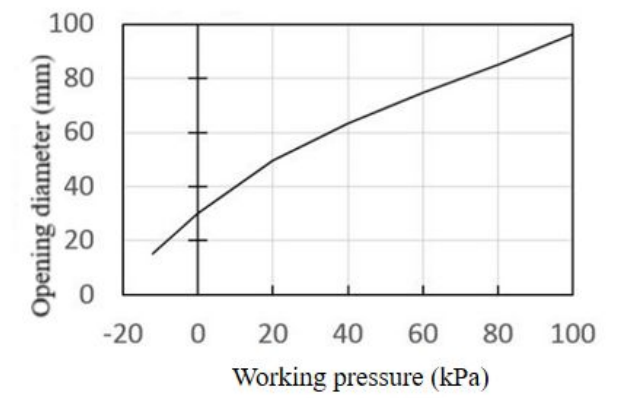


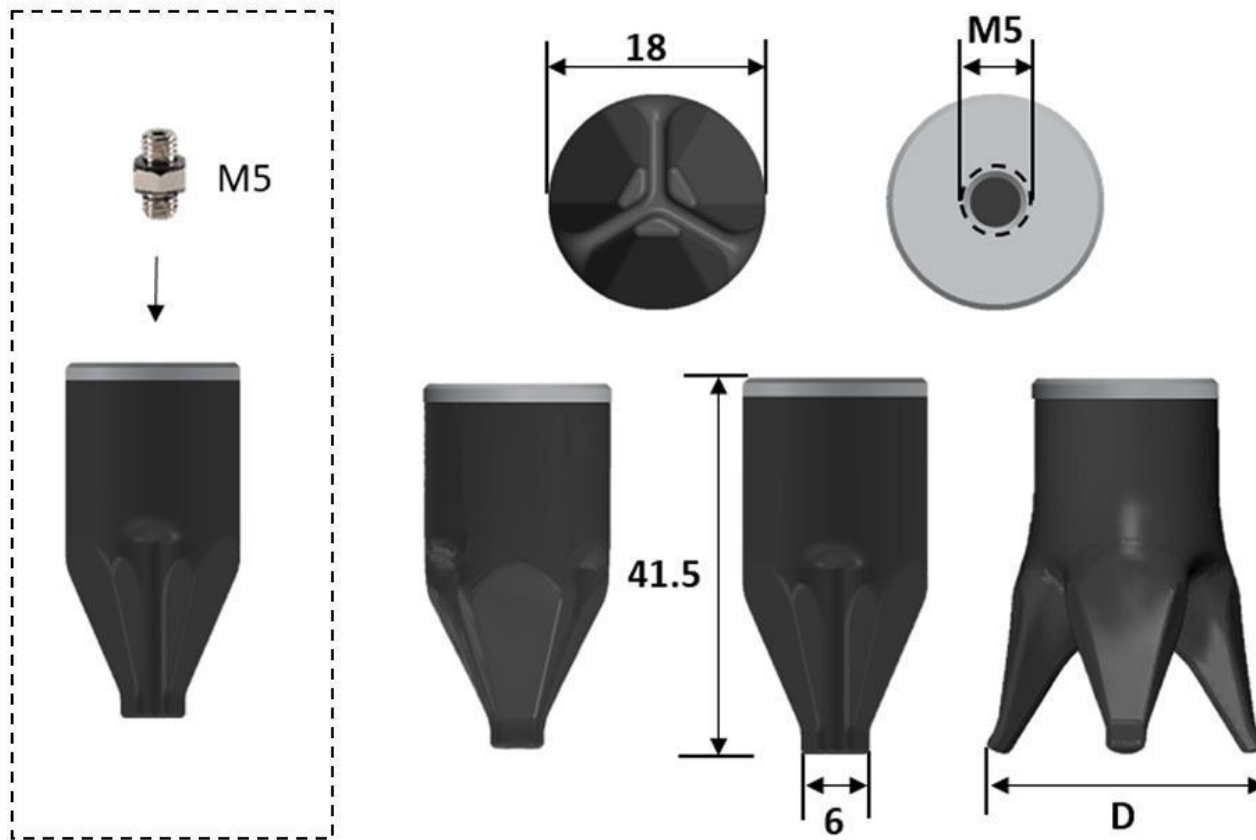
Dobot Flexible Gipper Kit Parameters



Soft beak 1	
Model	B-4B50
Maximum working frequency	300 times/min
Precision	0.05mm
Diameter of armour clamp	G1/8
Weight	80g
Maximum load	60g
Safe working pressure	100kPa
Service life	1.5 million times

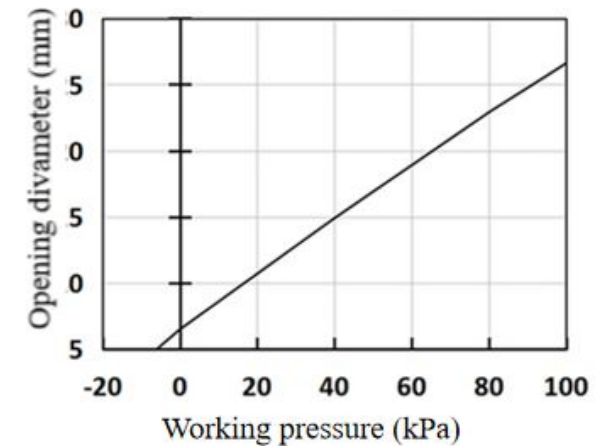


DoBot Flexible Gipper Kit Parameters

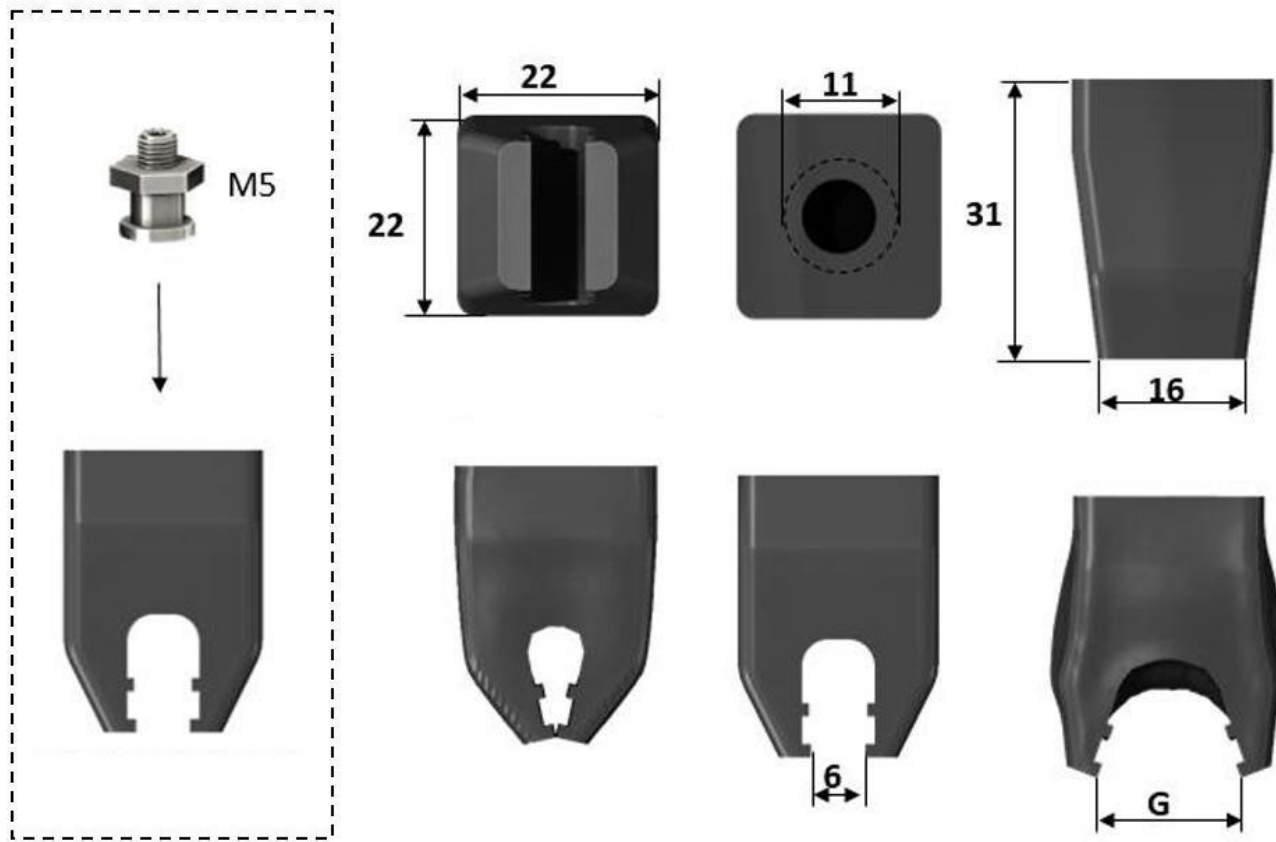


Soft beak 2

Model	B-3B18
Diameter of armour clamp	M5
Maximum working frequency	300 times/min
Precision	0.05mm
Weight	12g
Maximum load	15g
Safe working pressure	+100 kPa
Service life	1.5 million times

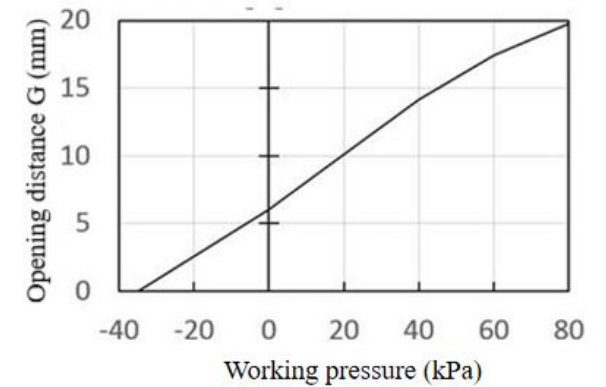


DoBot Flexible Gipper Kit Parameters

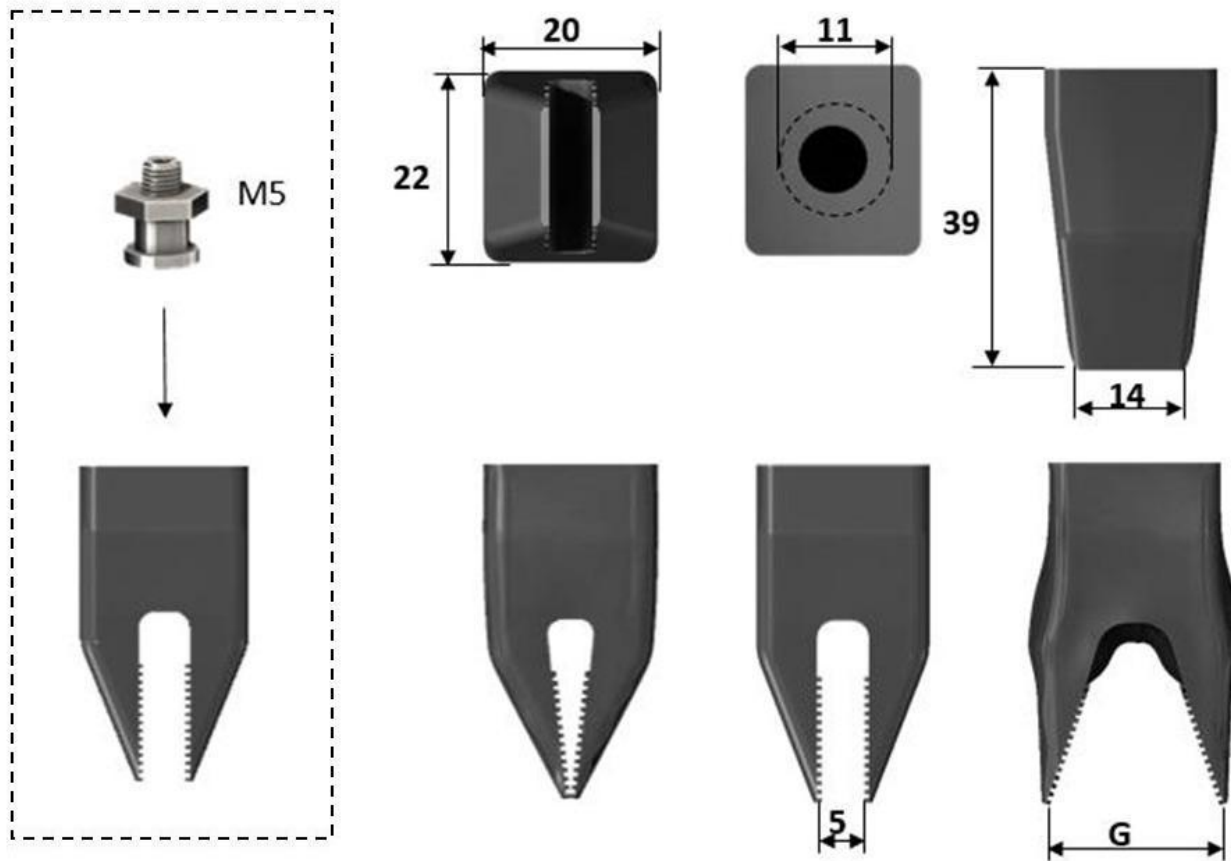


Soft beak 3

Model	BM-21606
Diameter of armour clamp	11mm
Maximum working frequency	300 times/min
Precision	0.05mm
Weight	9.8g
Maximum load	50g
Safe working pressure	-100~80 kpa
Service life	0.5~1 million times

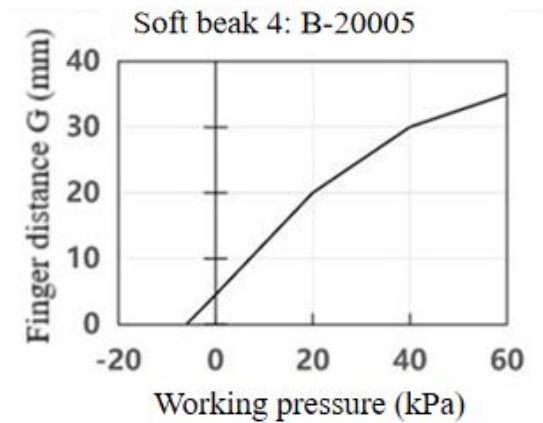


Dobot Flexible Gipper Kit Parameters

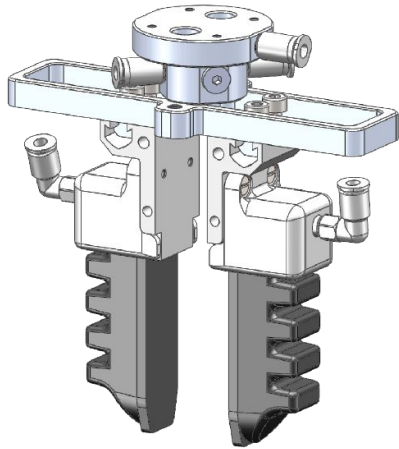


Soft beak 4

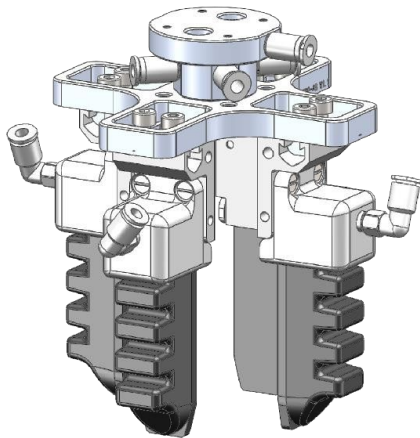
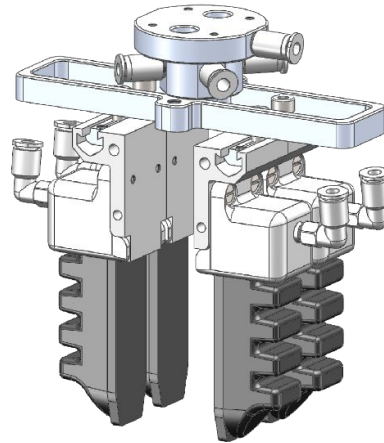
Model	B-20005
Diameter of armour clamp	11mm
Maximum working frequency	300 times/min
Precision	0.05mm
Weight	10g
Maximum load	30g
Safe working pressure	-100~80 kpa
Service life	1 million times



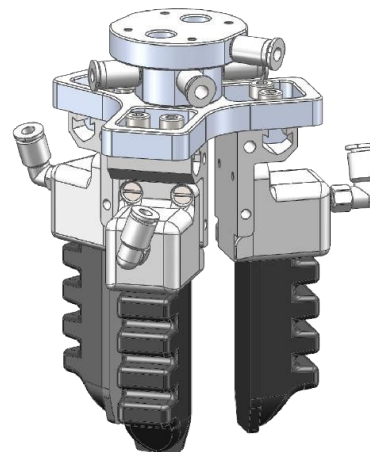
Dobot Flexible Gripper Kit Parameters



Two-finger gripper



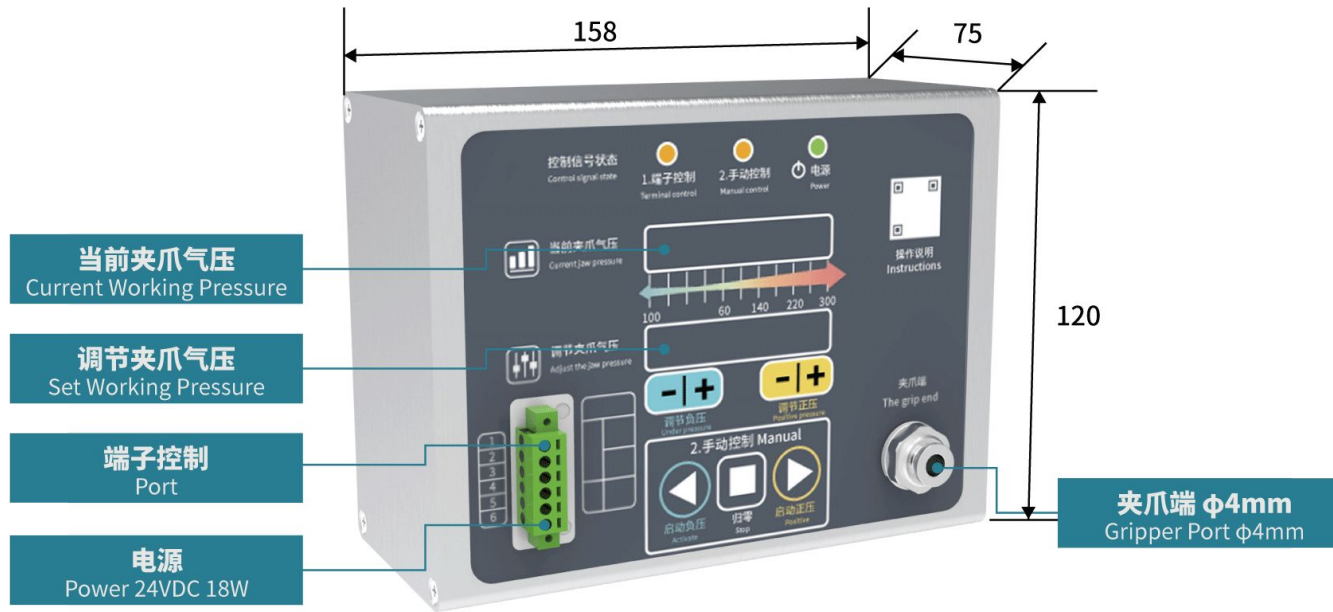
Three-finger gripper



Four-finger gripper

Gripper	
Model	Two-finger gripper/ Three-finger gripper/ Four-finger gripper
Diameter of gas connector	4mm
Maximum working frequency	300 times/min
Precision	0.05mm
Safe working pressure	120 kpa
Service life	3 million times

Dobot Flexible Gripper Kit Parameters



Active control unit	
Nominal voltage	24 VDC
Material	Aluminum alloy anode oxidation
Nominal power	18 W
Size	158*120*75 mm
Output air pressure	-85~100kPa
Weight	1.05 kg
Safe working pressure	120 kpa
Service life	3 million times
Ingress protection rating	IP54
Life	5000 hours
Positive pressure flow	4L/min
Negative pressure flow	4L/min
Control mode	a. manual button
	b. I/O level signal