



Part Number : [399700104](#)

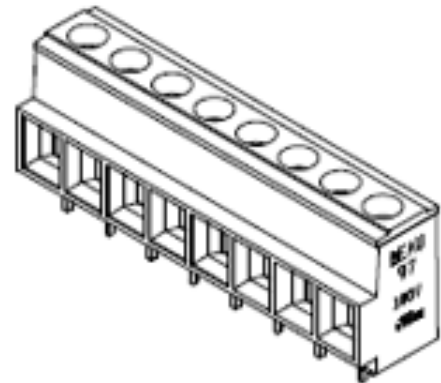
Product Description : 10.16mm Beau Eurostyle Fixed Mount PCB Terminal Block, High Power 60A, 4 Circuits

Series Number : 39970

Status : Active

Product Category : Terminal Blocks and Barrier Strip

Engineering Number : 970504



Documents & Resources

Drawings


[Drawing 399700104_sd.pdf](#)

3D Models and Design Files

[3D Model 399700104_stp.zip](#)

Product Environment Compliance

Compliance

GADSL/IMDS	Not Relevant
China RoHS	
EU ELV	Not Relevant
Low-Halogen Status	Not Low-Halogen per IEC 61249-2-21
REACH SVHC	Contains Lead per ED/88/2018 (15 January 2019)
EU RoHS	Compliant with Exemption 6(c) per EU 2015/863

Multiple Part Product Compliance Statements

- Eu RoHS
- REACH SVHC
- Low-Halogen

Multiple Part Industry Compliance Documents

- IPC 1752A Class C
- IPC 1752A Class D

- Molex Product Compliance Declaration
- IEC-62474
- chemSHERPA (xml)

EU RoHS Certificate of Compliance

Part Details

General

Status	Active
Category	Terminal Blocks and Barrier Strip
Series	39970
Description	10.16mm Beau Eurostyle Fixed Mount PCB Terminal Block, High Power 60A, 4 Circuits
Application	N/A
Component Type	One Piece
Product Family	Eurostyle Terminal Blocks
Product Name	Eurostyle Fixed Mount
Type	Euro Block
UPC	800756171128

Agency

UL	E48521
----	--------

Electrical

Current - Maximum per Contact	60.0A
Voltage - Maximum	300V

Physical

Circuits (Loaded)	4
Circuits (maximum)	4
Color - Resin	Black
Entry Angle	Horizontal
Flammability	94V-0
Lock to Mating Part	None
Material - Metal	Copper
Material - Plating Mating	Tin

Material - Plating Termination	Tin
Material - Resin	Polyester
Number of Rows	1
Orientation	Vertical
Panel Mount	No
PC Tail Length	4.06mm
PCB Retention	None
Pitch - Mating Interface	10.16mm
Pitch - Termination Interface	10.16mm
Plating min - Mating	3.810µm
Plating min - Termination	3.810µm
Polarized to Mating Part	N/A
Shrouded	Fully
Stackable	No
Temperature Range - Operating	130°C
Termination Interface Style	Through Hole
Wire Size (AWG)	10, 12, 14, 16, 18, 6, 8
Wire Size mm ²	0.75-10.00

Solder Process Data

Lead-Free Process Capability	WAVE
------------------------------	------