



**Part Number :** [1210230684](#)

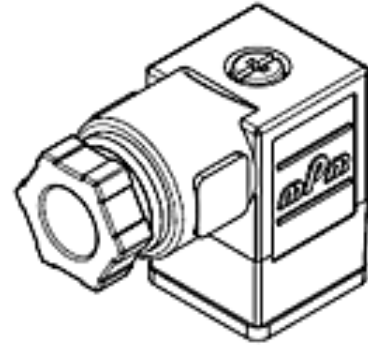
**Product Description :** mPm DIN Valve Connector, Form C-8mm, PG7 Internal Threads, 3 Pole Plus Ground Terminal, 250V AC/300V DC, Black, Nitrile Gasket, Bulk Pack Mounted

**Series Number :** 121023

**Status :** Active

**Product Category :** Circular Industrial Connectors

**Engineering Number :** C05307N21



---

## Documents & Resources

### Drawings

[Drawing 1210230684\\_sd.pdf](#)

### Specifications

[Packaging Specification PK-121024-C05-001.pdf](#)

---

## Product Environment Compliance

### Compliance

China RoHS	Not Reviewed
EU ELV	Not Reviewed
Low-Halogen Status	Not Reviewed
REACH SVHC	Not Reviewed
EU RoHS	Not Reviewed

### Multiple Part Product Compliance Statements

- Eu RoHS
- REACH SVHC
- Low-Halogen

### Multiple Part Industry Compliance Documents

- IPC 1752A Class C
- IPC 1752A Class D
- Molex Product Compliance Declaration
- IEC-62474
- chemSHERPA (xml)

## Part Details

### General

Status	Active
Category	Circular Industrial Connectors
Series	121023
Description	mPm DIN Valve Connector, Form C-8mm, PG7 Internal Threads, 3 Pole Plus Ground Terminal, 250V AC/300V DC, Black, Nitrile Gasket, Bulk Pack Mounted
IP Rating	IP65, IP67
Product Family	mPm DIN Valve Connectors
Product Name	mPm
Type	Field Attachable Connector
UPC	883906732141

### Electrical

Current - Maximum per Contact	16.0A
Voltage - Maximum	250V AC / 300V DC

### Physical

Cable Diameter	N/A
Coupling Type	Internal Thread
Diagnostics / LEDs	No
Diagnostics Port	No
Form	C - 8mm
Gender	N/A
Keyway	None
Material - Connector Body	Polypropylene
Material - Contact	Brass
Material - Coupling Nut	N/A
Material - Plating Mating	Silver
Orientation	90° Angle
Pitch - Mating Interface	8.00mm

Poles	3
Temperature Range - Operating	-40°C to +90°C
Wire Size (AWG)	N/A

---

This document was generated on Sep 26, 2023