



Electrically Height-Adjustable Desk Frame



Frame Assembling and Display Manual

DA-90430 · DA-90431 · DA-90432

Table of Contents

1. Introduction.....	3
2. Features.....	3
3. Package content	3
4. Product overview	3
4.1 Accessory list	4
4.2 Component List	4
5. Installation.....	6
Step 1	6
Step 2	8
Step 3	9
Step 4	10
Step 5	11
Step 6	12
Step 7	13
6. How to use handset.....	13
6.1 Handset Operation	14
6.2 Common fault treatment	14
6.3 Important Safety & Usage Instructions	15

1. Introduction

With this electric height-adjustable table frame you can easily convert your desk into an ergonomic sit/stand workstation. Save the cost and hassle of finding a height-adjustable desktop and just use the DIGITUS® electrically height-adjustable table frame instead. This set is suitable for all tabletops between 110 and 160 cm in width and 50 to 80 cm in depth. The frame allows height adjustment from 71.5 to 121.5 cm. The lifting speed is 25 mm/sec. the anti-collision function automatically stops the table when hitting obstacles during up and down movement. The frame can lift a maximum load of 70 kg. Improve your health and prevent postural damage and impairments of the musculoskeletal system!

2. Features

1. Maximum load capacity of up to 70 kg
2. Flexible frame – Suitable for tabletops 1000 ~ 1600 mm wide and 500 ~ 750 mm deep
3. Convenient electrical height adjustment (without tabletop): 71.5 ~ 121.5 cm
4. Up and down control panel
5. Motor for easy and quiet (<50 dB) height adjustment – Lifting speed 25 mm/sec.
6. Collision protection function (G sensor) – Detection of obstacles during up & down movement
7. Auto-Stop system – Stops the motor in case of resistance and automatically retracts the frame slightly
8. Maximum dimensions: W 135 x D 59 x H 121.5 cm
9. Minimum dimensions: W 97.5 x D 59 x H 71.5 cm
10. Weight: 17.1 kg
11. Power supply cable: Euro, plug (type C, CEE 7/16) – C7, device socket, length: 3 m
12. Shape: Rectangular
13. Column stage 2
14. Power input: 100-240V
15. Frequency 10% (work continuously for 2 minutes, pause for 18 minutes) Temperature 0-40°C

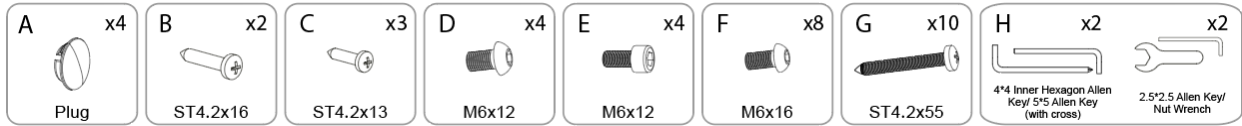
3. Package content

- Electrically Height-Adjustable Table Frame
- Manual
- Mounting material

4. Product overview

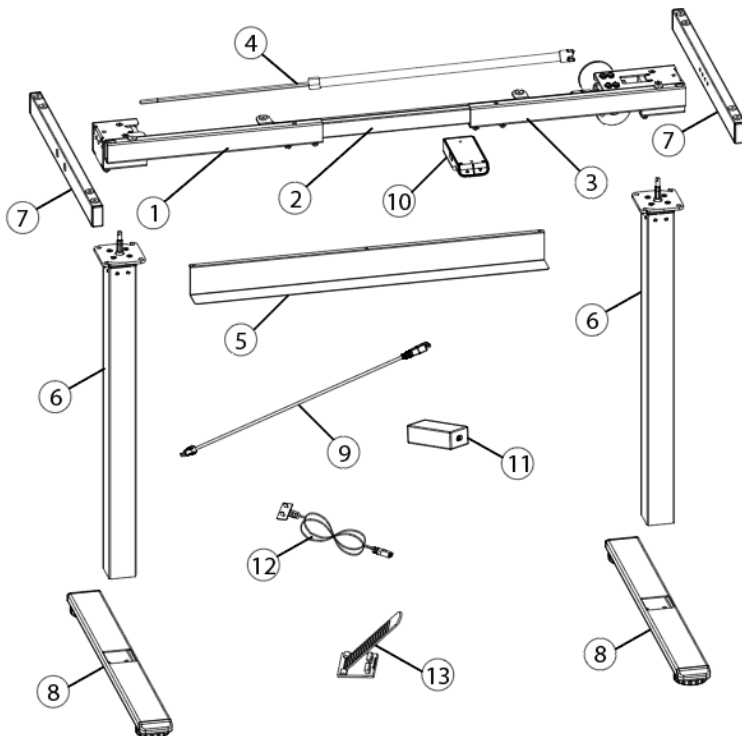
4.1 Accessory list



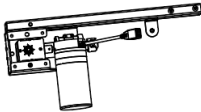



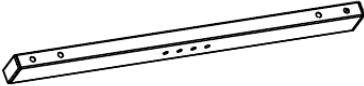
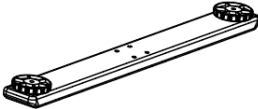


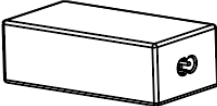
Attention: The drawings below are for guidance only and they may differ slightly from the product and fittings received. Please contact customer service department if there are any missing tools or installation problems.





A	4x Plug	E	4x M6x12
B	2x ST4.2x16	F	8x M6x16
C	3x ST4.2x13	G	10x ST4.2x55
D	4x M6x12	H	4x 4 Inner Hexagon Allen Key / 5x 5 Allen Key (with cross) 2.5x2.5 Allen Key Nut Wrench

4.2 Component List



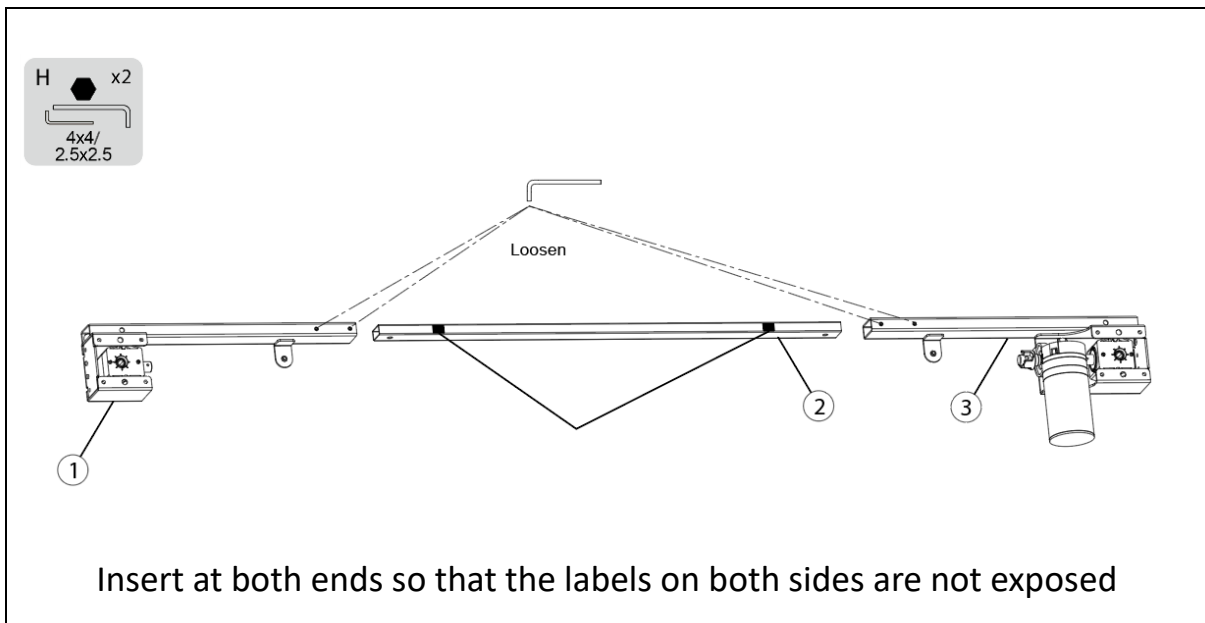
No.	name	Part	Qty
①	Left Beam		1
②	Crossbeam/ Connecting Pipe		1
③	Right Beam		1
④	Transmission Rod		1
⑤	Decorative Plate		1
⑥	Lifting Column		2
⑦	Side Tube		2
⑧	Foot		2
⑨	Switch Cord		1
⑩	Handset		1
⑪	Power Adapter		1

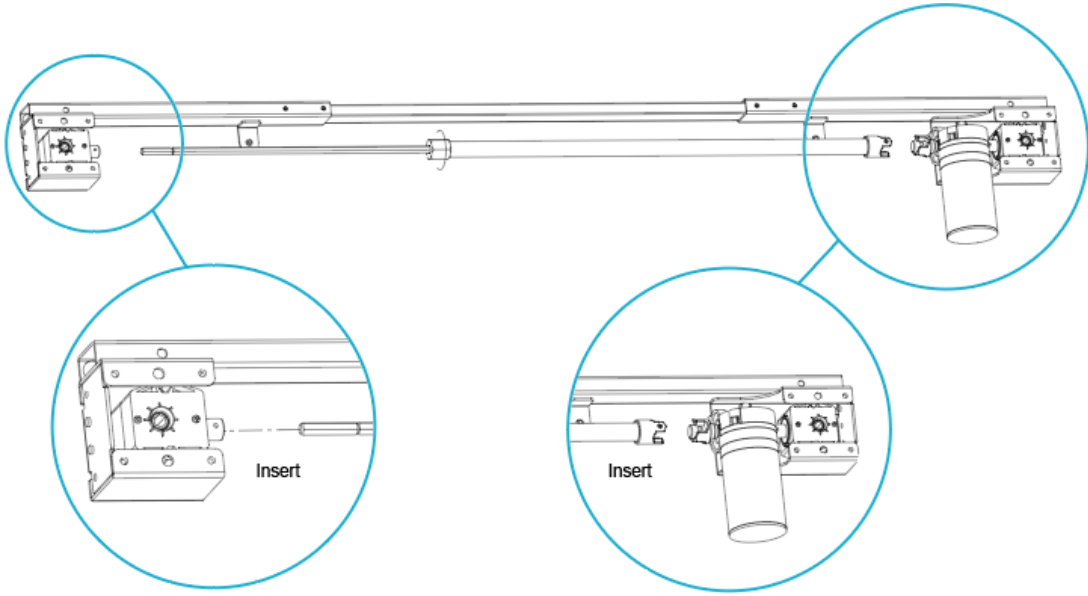
⑫	Power Plug		1
⑬	Cable Tie		4

5. Installation

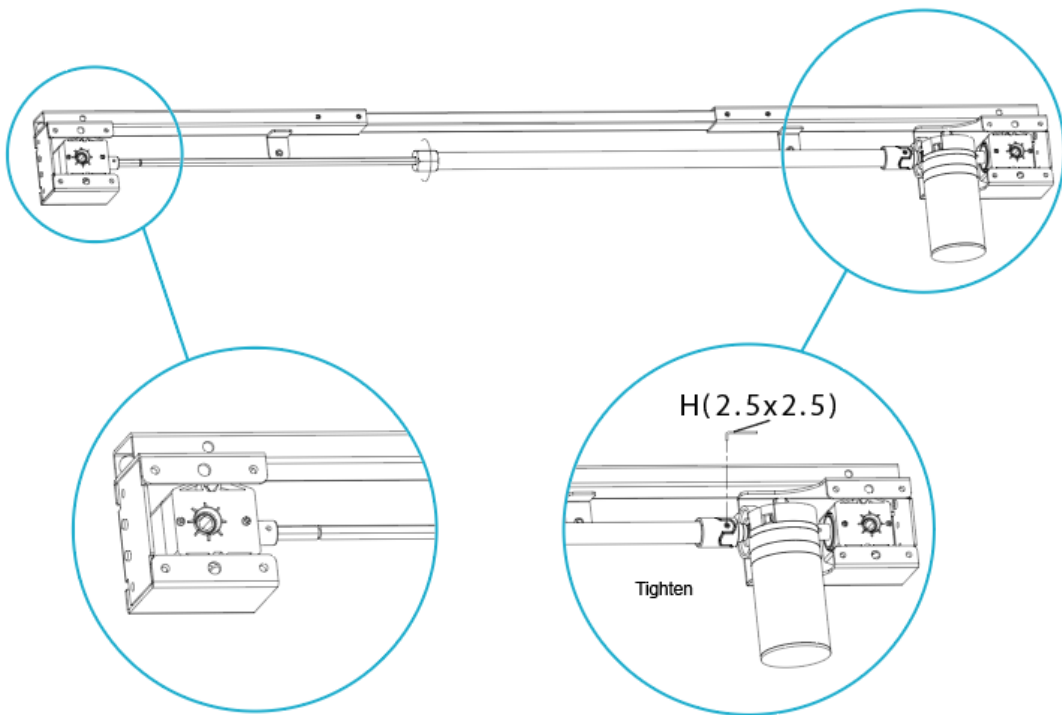
Step 1

Install Beam and Transmission Rod





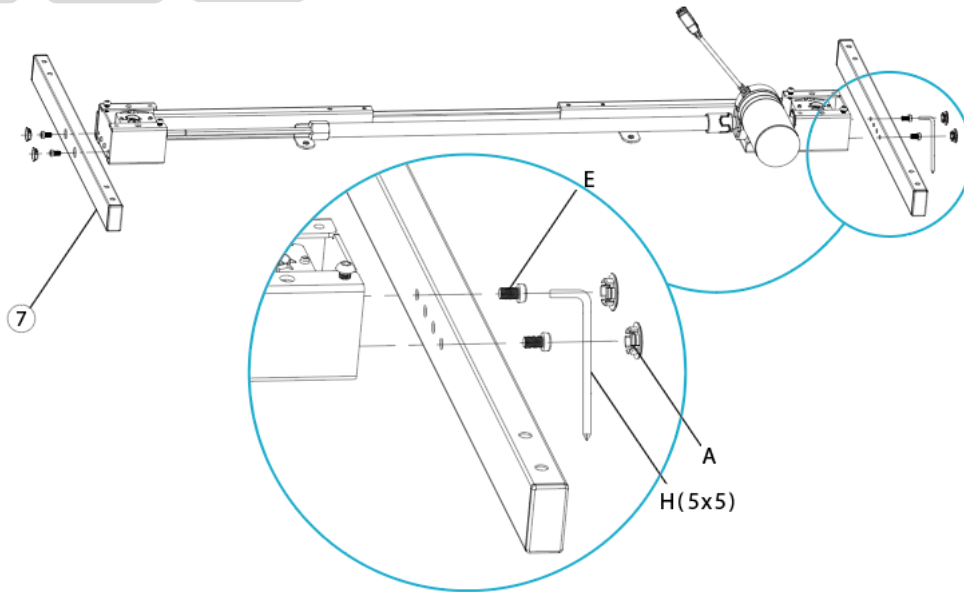
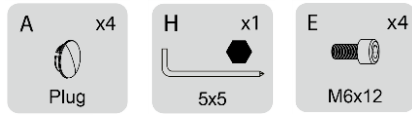
Loosen before inserting



Tighten after inserting

Step 2

Install Side Tube



Use a 5x5 (with cross) Allen key(H) to tighten the screws(E), fix the side tubes ⑦, and press the hole plug(A) into the side hole.

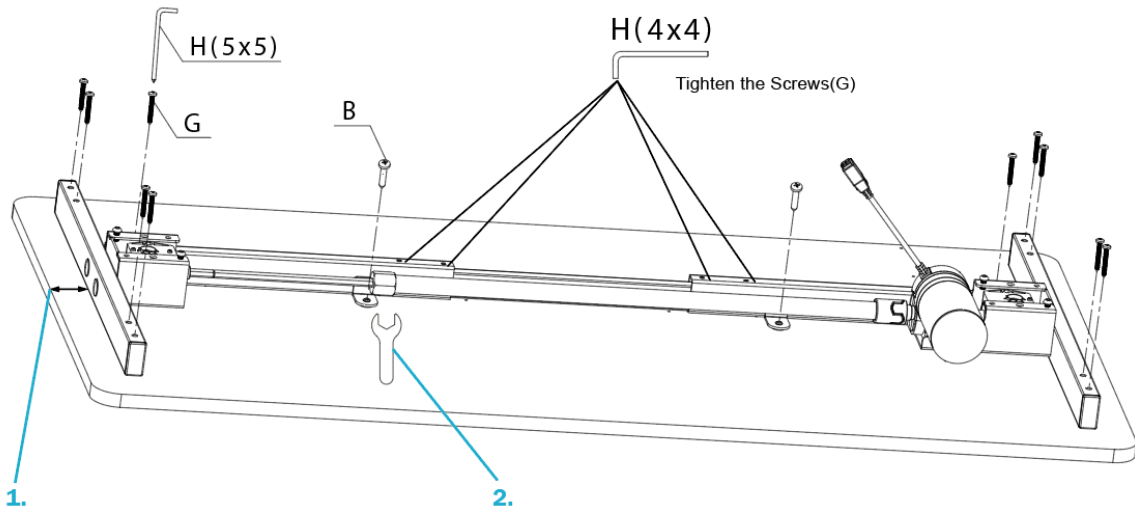
Step 3

Attach Tabletop to Beam

Note: Place the beam in the middle of the plank and leave a proper distance on each side, then fix it. If the width of the beam is not appropriate, you can refer to step 1 to adjust the width



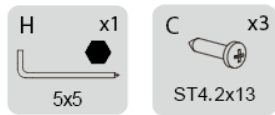
1. The distance between the two sides should not be than 200mm
2. H (Nut Wrench)



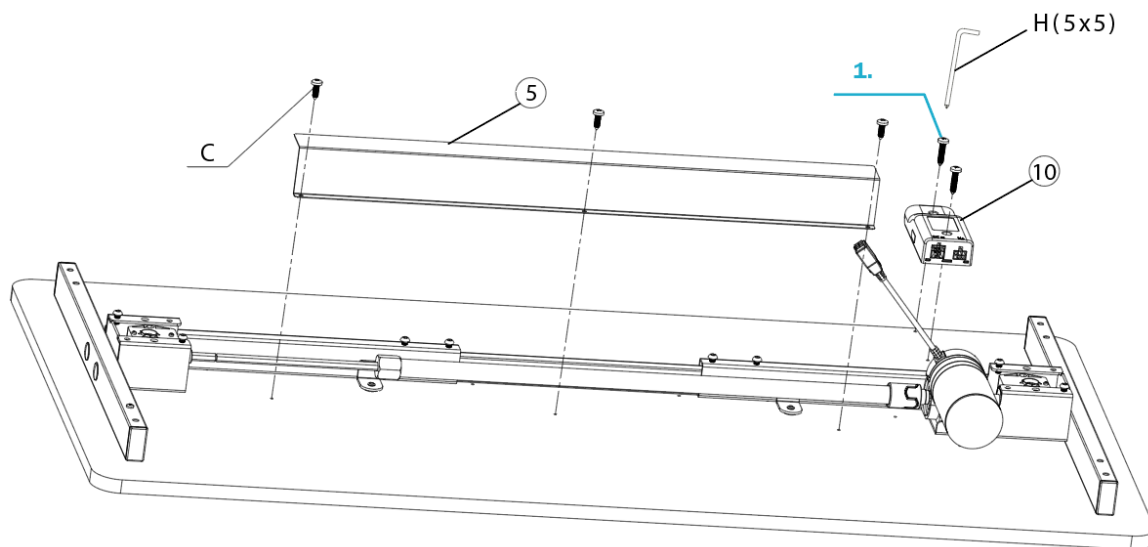
Install the beam assembly (step 2) on the tabletop, use a 5x5 (with cross) allen key (H) to screw in the screws (G) and the screws (B) and tighten them.

Step 4

Install Decorative Plate and Handset



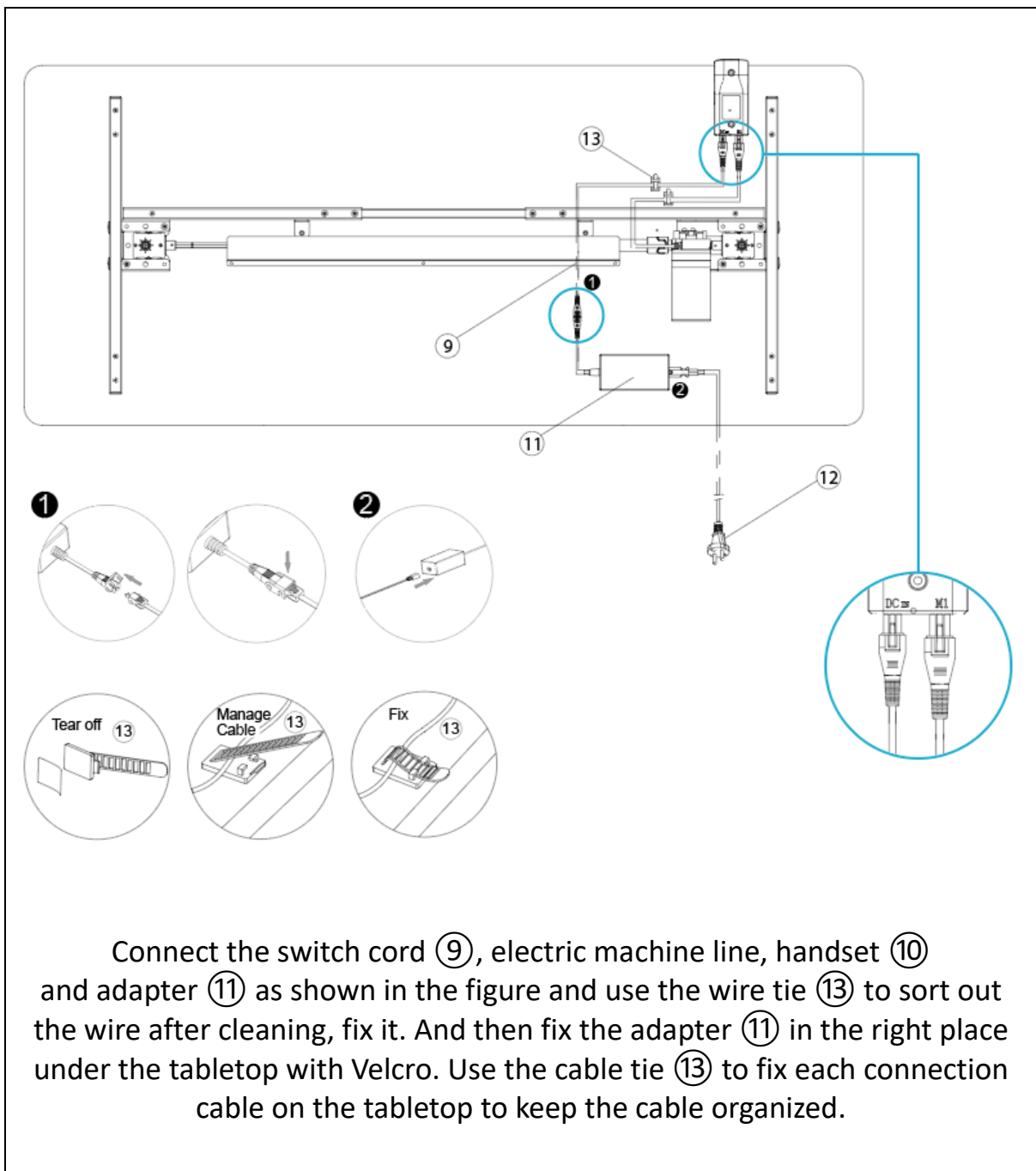
1. Internal accessories of Handset ST4.2x19



Fix the decorative board ⑤ with screws C to cover the main parts of the transmission rod; fix the handle ⑩ at the position on the side of the motor (as shown in the figure), and fix it with the ST4.2x19 screws, the internal accessories of Handset.

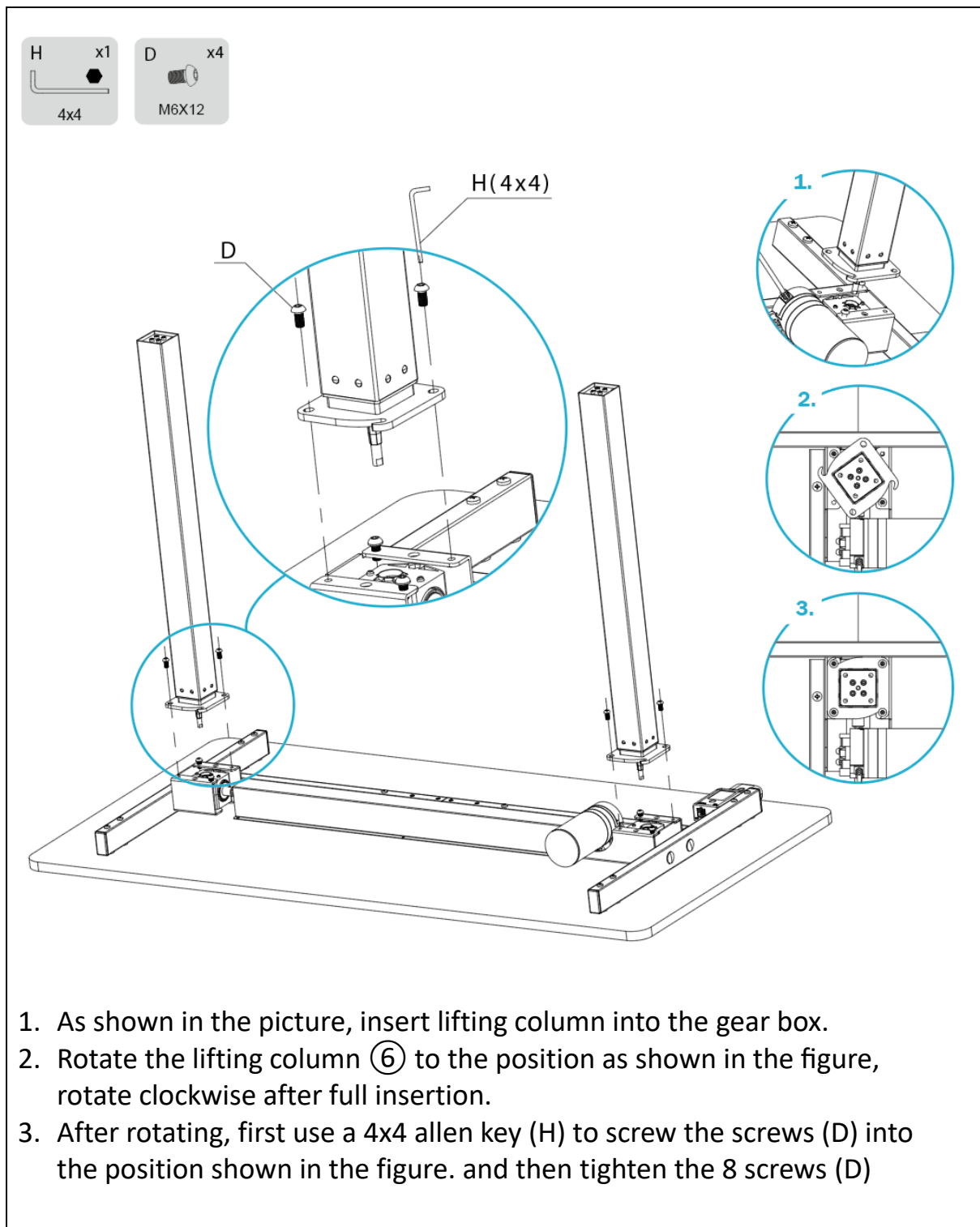
Step 5

Wiring of Handset, Motor and Adapter



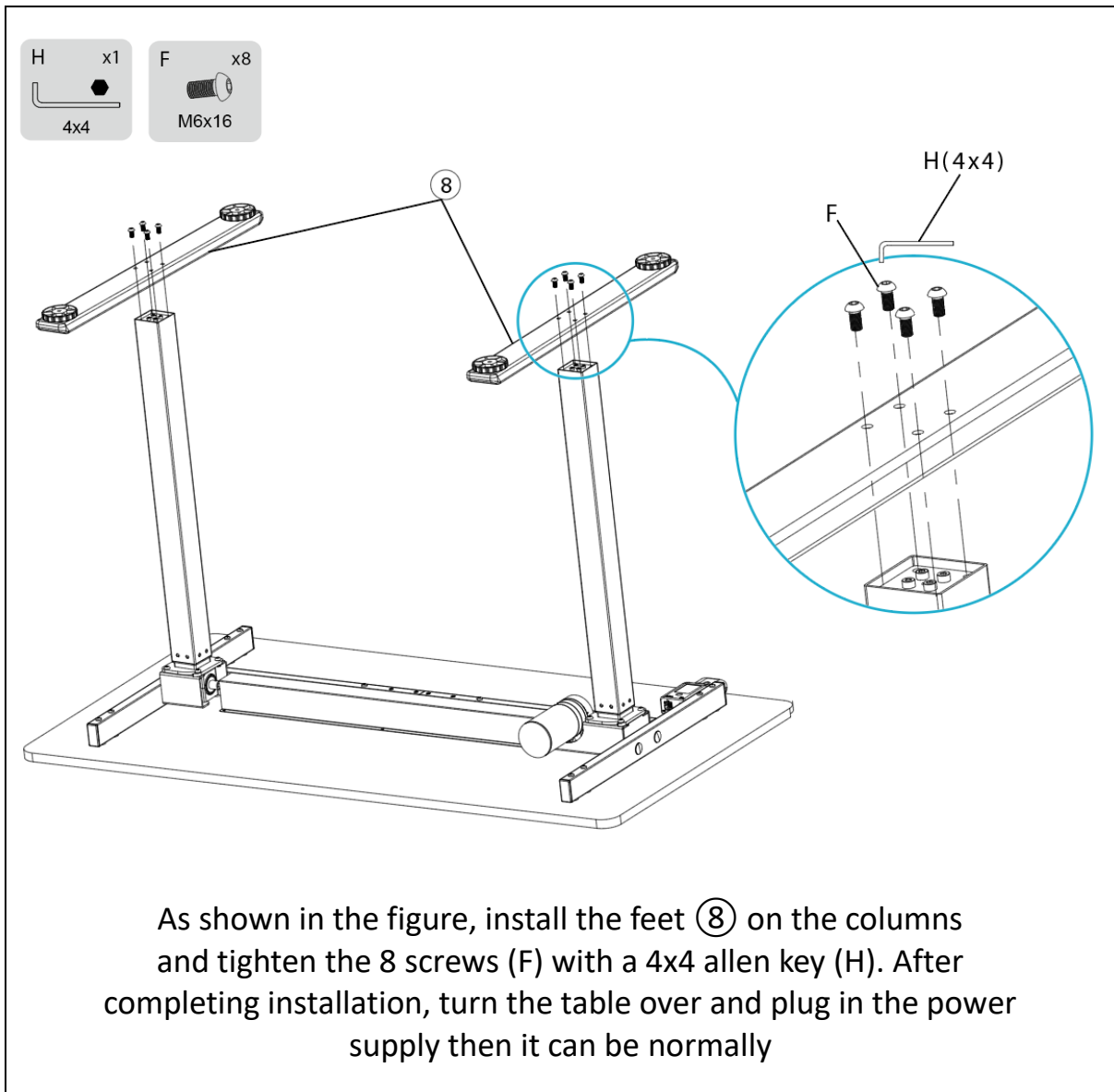
Step 6

Assemble Lifting Column

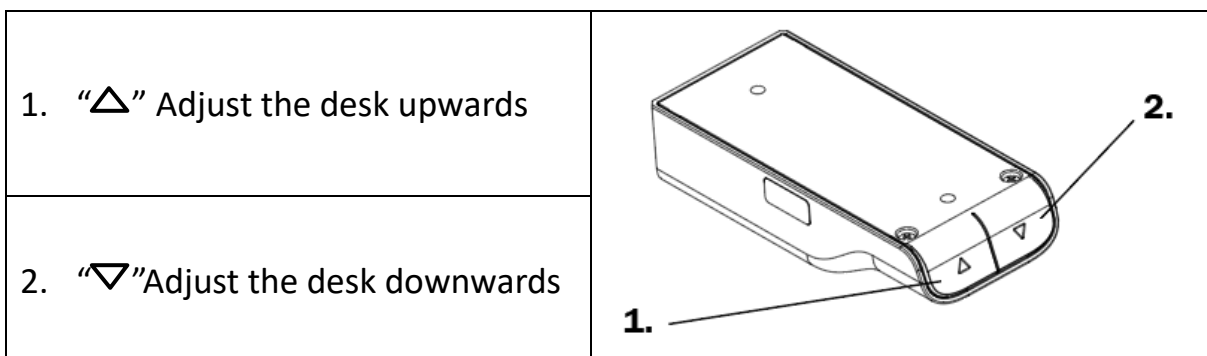


Step 7

Install Feet



6. How to use handset



6.1 Handset Operation

Button Lift Function

- Press the “△” or “▽” button to adjust the height of the desk

Reset Function

- When at the lowest position (height), long press the “▽” button for more than 5 seconds to enter the reset mode. The frame rebounds (drives up a bit), then drives back to lowest position and stops. Reset was successfully.
- When not at the lowest position (height), hold the “▽” button until the frame reaches its lowest position. Then release the button “▽” for a moment, then long press again the “▽” button for more than 5 seconds until the frame rebounds (drives up a bit), then drives back to lowest position and stops. Reset was successfully.

Anti-collision Function

- Built-in sensor, when encountering any objects, the device instantly stops and reverses to avoid damage
- Simultaneously press and hold “△” and “▽” for more than 5s to turn on or off the anti-collision function

6.2 Common fault treatment

The following tips will help you detected and eliminate the common fault and error. If the fault you met is not listed below, please contact with your supplier. Only the manufacturer and professionals are capable for investigating and correcting those fault and error.

Fault phenomenon	Method
No response while long pressing down arrow after connected with a power supply	<ol style="list-style-type: none">1. Check if all the cables be connected well2. Contact your supplier or dealer
The desktop could not be lifted	<ol style="list-style-type: none">1. Check if overloaded, max loading: 70kg2. Contact your supplier or dealer
Overwork (Duty cycle: Max 2 min on/18 min OFF)	<ol style="list-style-type: none">1. Restart it after suspend for 18 mins for the working time is too long2. Contact your supplier or dealer
Go down but not go up	<ol style="list-style-type: none">1. Reset2. Contact your supplier or dealer
Downward sliding	<ol style="list-style-type: none">1. Check if overloaded, max loading: 70kg2. Contact your supplier or dealer

6.3 Important Safety & Usage Instructions

Important Safety & Usage Instructions

- This appliance can be used by children aged from 8 years and above and persons with reduced physical, sensory or mental capabilities or lack of experience and knowledge if they have been given supervision or instruction concerning use of the appliance in a safe way and understand the hazards involved
- Persons with reduced physical, mental abilities and or lack of experience and knowledge must not use the product, unless they're under supervision, understand the hazards involved or they have been thoroughly instructed in the use of the apparatus by a person who is responsible for the safety of these persons
- Children are forbidden to play on the product because of unforeseen actions when playing, so any dangerous consequences caused by this improper action will not be manufacturers. Children are forbidden to play with the appliance at all.
- Be familiar with all functions and program settings of the product before first use
- Check carefully to ensure correct and complete assembly before using
- Cleaning and user maintenance shall not be made by children without supervision
- If the supply cord is damaged, it must be replaced by the manufacturer, its service agent, or a similarly qualified person in order to avoid a hazard
- Please make sure there is no hazard sources in your operating environment e.g., do not litter the tools around. Always be careful to treat the packaging materials to avoid any possible danger, e.g., plastic bag may lead to choking hazard to children
- Keep the original package of the equipment, if necessary, in case of the future use in transportation
- Power supply: AC 100 V – 240 V, 50 / 60 Hz
- Operating Temperature: 0 – 40°C
- Unplug the power plug before cleaning, wipe the dust off the surface with a slight wet dishcloth, be careful do not let the drops into the internal parts and do not lose the connector

- The electric box contains electronic components, metals plastics, wires etc., so dispose of it in accordance with each countries environmental legislation, not the general household waste
- Slight noise caused by the V-ribbed belt or brake system due to structure will not have any effect on the use of the equipment
- Corrosive or abrasive materials are forbidden to clean the equipment. Must ensure that the cleaner used will not pollute the environment
- This appliance shall only be used together with the included power supply unit. Every person who is responsible for this table at installation or employment of the table in daily use or in service and repair work should carefully read these instructions. Keep these instructions close to your sit/stand table
- The table shall only be used as a working table with the possibility to continuously adjust working height between sitting and standing position. The table shall only be used indoors and in dry premises (office environment or similar)
- The table must not be overloaded – maximum load is 70 kg
- The motors may be run continuously for maximum 2 minutes. Afterward, the motors must stand by for approx. 18 minutes before they can be used again
- Any failure to comply with the safety and installation instructions in this manual may cause serious bodily injury
- Users should make sure that they never sit on the desktop in order to prevent serious bodily injury
- Don't clean the product with water while the power is still connected
- Don't disassemble or replace components while the power is still connected
- Never operate the system with a damaged cord or plug
- Never operate the system if it's in moist environment or its electrical components have contact with liquid
- Don't operate the system if the control box makes noise or odor. Alterations of the given power unit and control box aren't allowed
- Clear up all obstacles within the height adjustment range
- Don't leave the cords or plug unorganized in order to prevent tripping hazards
- Any attempts to reconstruct the desk frame aren't allowed
- Don't add anything to the adjustable junctions of the desk frame
- Outdoor use is prohibited

- When the table is run up/down, keep the necessary safety distance to avoid the risk to get squeezed between the moving table top and fixed objects in the surrounding area.
- When the table is run up/down the user shall keep watch so that nobody is injured or no object is damaged. The table top must not bump into a fixed object so that the table is overturned. Always remove any office chair before the table is run up/down
- Alterations to the control box are absolutely forbidden
- The table must not be used as a hoisting device for persons

Waste Disposal

This marking indicates that this product should not be disposed with other household wastes. To prevent possible harm to the environment or human health from uncontrolled waste disposal, recycle it responsibly to promote the sustainable reuse of material resources.

To return your used device, please use the return and collection systems or contact the retailer where the product was purchased. They can take this product for environmental safe recycling.



Hereby Assmann Electronic GmbH, declares that the Declaration of Conformity is part of the shipping content. If the Declaration of Conformity is missing, you can request it by post under the below mentioned manufacturer address.

www.assmann.com

Assmann Electronic GmbH
 Auf dem Schüffel 3
 58513 Lüdenscheid
 Germany

