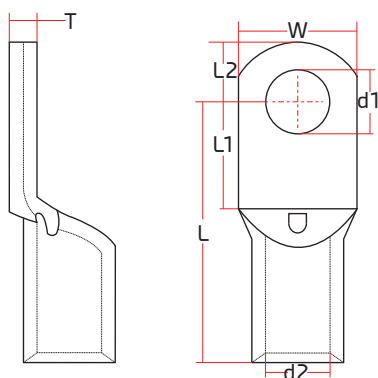


Non-Insulated Tubular Cable Lugs with Crimping Tool, M6-M12 Stud size



Technical Data:

Material: Copper
 Plating: Tin
 Max. voltage rating: 3kV
 Max. temperature rating: 150°C

Wire Guide	Cross Section	Stud size	Dimension (mm)							Quantity
			L	L1	L2	ød1	ød2	W	T	
9 AWG	6 mm ²	M6	25.5±1.0	10.0±0.2	7.0±0.2	6.3±0.2	4.8±0.2	9.6±0.2	1.5±0.2	25 Pcs
9 AWG	6 mm ²	M8	25.5±1.0	10.0±0.2	7.0±0.2	8.5±0.2	4.8±0.2	12.4±0.2	1.2±0.2	25 Pcs
7 AWG	10 mm ²	M6	31.7±1.0	11.8±0.2	7.0±0.2	6.4±0.2	6.0±0.2	11.5±0.2	1.9±0.2	25 Pcs
7 AWG	10 mm ²	M8	31.7±1.0	11.8±0.2	7.0±0.2	8.5±0.2	6.0±0.2	12.5±0.2	1.85±0.2	25 Pcs
5 AWG	16 mm ²	M8	33.5±1.0	11.5±0.2	7.0±0.2	8.5±0.2	6.2±0.2	12.3±0.2	2.0±0.2	25 Pcs
5 AWG	16 mm ²	M10	33.5±1.0	11.5±0.2	7.0±0.2	10.3±0.2	6.2±0.2	14.0±0.2	1.9±0.2	25 Pcs
3 AWG	25 mm ²	M8	37.0±1.0	13.5±0.2	7.5±0.2	8.4±0.2	7.0±0.2	14.3±0.2	2.5±0.2	25 Pcs
3 AWG	25 mm ²	M10	37.0±1.0	13.5±0.2	7.5±0.2	10.3±0.2	7.0±0.2	14.5±0.2	2.4±0.2	25 Pcs
2 AWG	35 mm ²	M8	38.6±1.0	15.5±0.2	9.0±0.2	8.4±0.2	8.2±0.2	16.0±0.2	2.5±0.2	20 Pcs
2 AWG	35 mm ²	M10	38.6±1.0	15.5±0.2	9.0±0.2	10.4±0.2	8.2±0.2	16.0±0.2	2.5±0.2	20 Pcs
1-0 AWG	50 mm ²	M10	42.2±1.0	18.0±0.2	11.0±0.2	10.4±0.2	10.1±0.2	19.1±0.2	2.8±0.2	20 Pcs
1-0 AWG	50 mm ²	M12	41.3±1.0	18.0±0.2	11.0±0.2	12.3±0.2	10.1±0.2	19.0±0.2	2.8±0.2	20 Pcs

This is a publication by Conrad Electronic SE, Klaus-Conrad-Str. 1, D-92240 Hirschau (www.conrad.com).

All rights including translation reserved. Reproduction by any method, e.g. photocopy, microfilming, or the capture in electronic data processing systems require the prior written approval by the editor. Reprinting, also in part, is prohibited. This data represent the technical status at the time of printing. Changes in technology and equipment reserved.

© Copyright 2023 by Conrad Electronic SE.