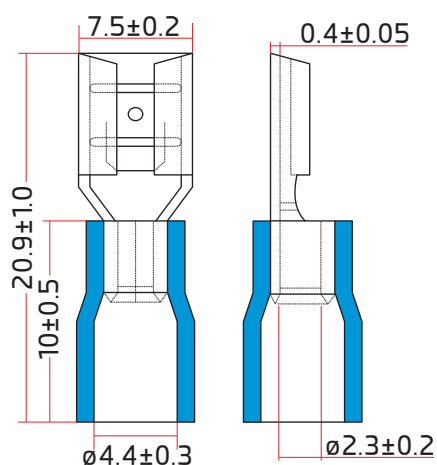
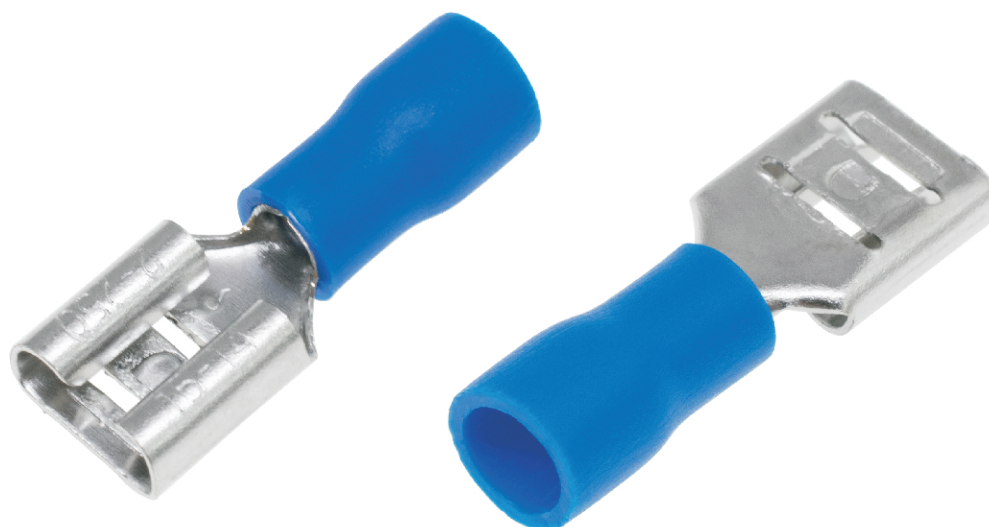


Pre-Insulated Female Spade Connector Flat Receptacle, 6.3 x 0.8 mm Tab Size 1.5 mm² - 2.5 mm² (AWG16-14), PVC, Blue



Specification

Connector type	: Spade Receptacle
Termination method	: Crimp
Insulation type	: pre-insulation
Insulation material	: PVC
Insulator color	: Blue
Terminal material	: Brass
Terminal plating	: Tin
Terminal thickness	: 0.4 mm
Wire guide	: AWG 16-14
Wire cross section	: 1.5 - 2.5 mm ²
Tab Size	: 6.3 x 0.8 mm
Rated current	: 15A max.
Rated temperature	: -10° ~ 75°C