

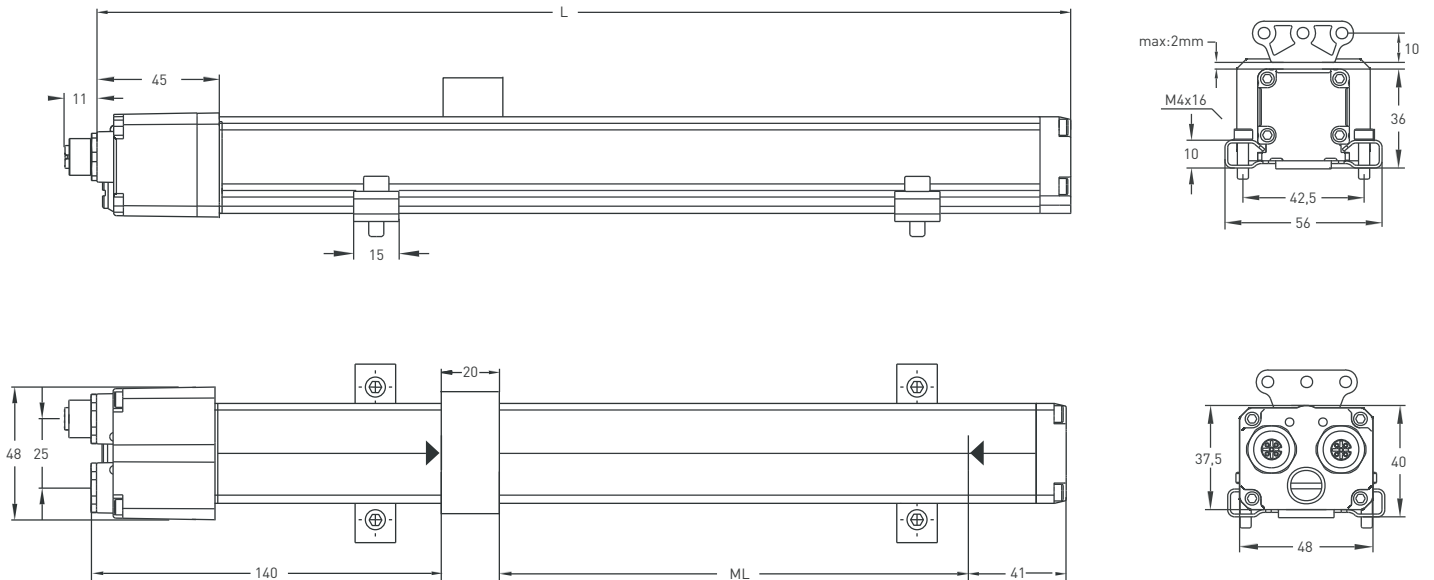
CANopen

- Measuring length 100 - 5000 mm
- CANopen protocol
- 24 VDC power supply



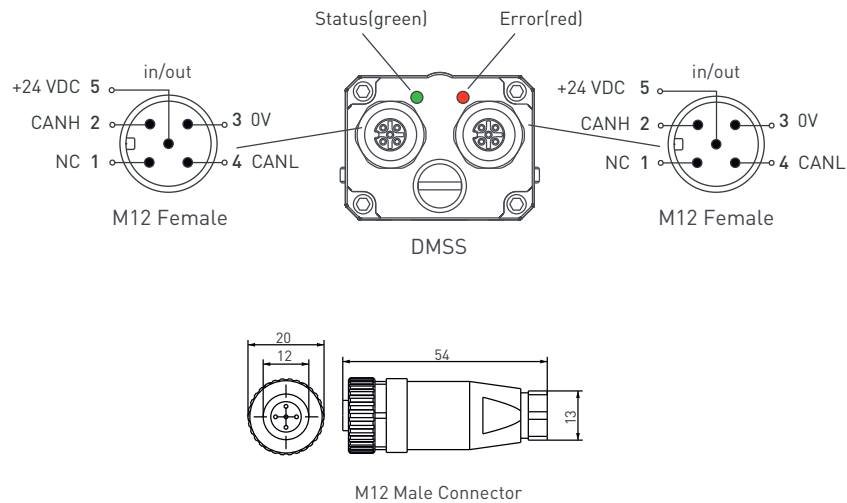
Technical Specifications	
Measurement stroke	100 - 5000 mm
Resolution	25µm (100mm-400mm), 50µm (450mm-3000mm), 100µm (4000mm-5000mm)
Repeatability	100 µm
Output	CANopen
Power supply	24 VDC ±10%
Displacement speed	max. < 5 m/s
Max. consumption	<100 mA (depending on stroke length)
Linearity	Up to ±0,05% full scale (min.100 µm)
Reverse polarity protection	Up to -30 VDC
Overvoltage protection	Up to +30 VDC
Update time	1 ms (at 500 Kbit/s)
Interface	CAN
Protocol	CANopen
Data-length	16 bit
Communication profile	CiA 301, CiA 406 V 3.2
Diagnostic LEDs	Green led: Power on, CAN communication active Red led : Error, stop mode
Protection level	IP 65
Operating temperature	-20°C ... +80°C
Storage temperature	-30°C ... +90°C
Sensor adress (Default Node ID)	20 (programmable by software)
Baud rate (Default 500Kbit/s)	max.:1 Mbit/s (programmable by software)

Mechanical Specifications

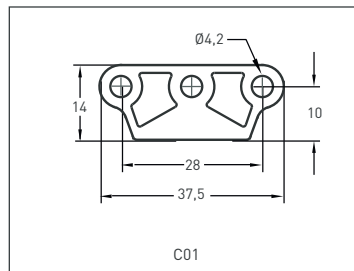


DMSS (mm)	100	150	200	250	300	350	400	450	500	550	600	650	700	750	800	850	900	1000	1100	1200	1300	1400	1500	1750	2000	2250	2500	3000	4000	5000		
ML (Measuring Length)	100	150	200	250	300	350	400	450	500	550	600	650	700	750	800	850	900	1000	1100	1200	1300	1400	1500	1750	2000	2250	2500	3000	4000	5000		
[Total Length]	301	351	401	451	501	551	601	651	701	751	801	851	901	951	1001	1051	1101	1201	1301	1401	1501	1601	1701	1951	2276	2526	2776	3296	4316	5316		
Dead Zone Calculation	140/41																															

Connection



Cursor



Ordering Procedure

Model	Measurement stroke	Protocol	Baud rate	Node ID	Termination	Cursor	Connecting brackets	Dead zone
DMSS	150	COB	6BR	20	1S0	C01	BR02	140/41
DMSS	100 - 5000 mm	COB: CANopen	0BR:10 kbit/s 1BR:20 kbit/s 2BR:50 kbit/s 3BR:100 kbit/s 4BR:125 kbit/s 5BR:250 kbit/s 6BR:500 kbit/s 7BR:800 kbit/s 8BR:1 Mbit	1 - 127	1S0: Off 1S1: On	1C01: 1 cursor 2C01: 2 cursors	BR01 BR02	≤ 2000 mm 140/41 $> 2000-3000$ mm 215/41 $> 3000-4000$ mm 235/41 $> 4000-5000$ mm 255/41