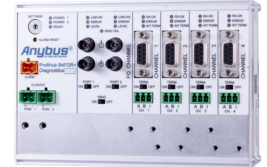


Anybus ProfiHub B4FOR+ (Multi-Mode)

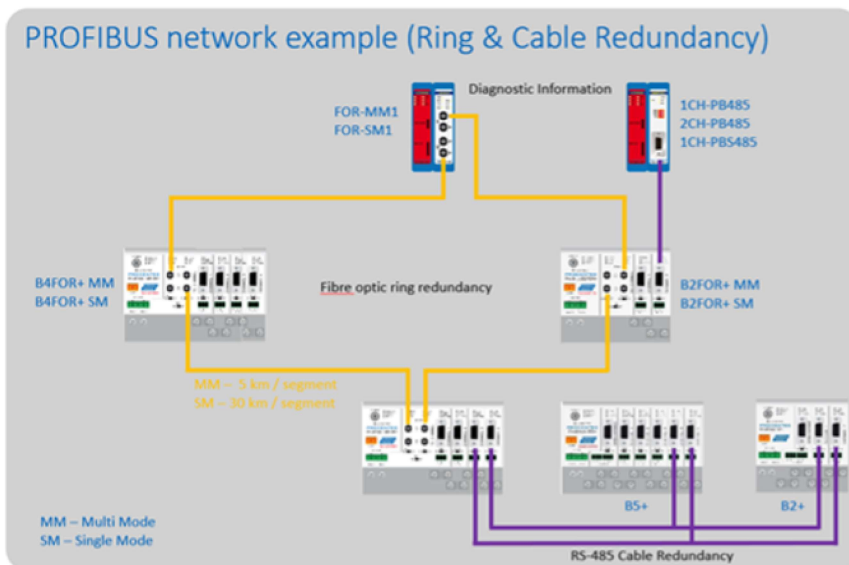
The ProfiHub B4FOR+ is a cost-effective solution to link PROFIBUS fiber optic to multiple RS 485 segments and vice versa. Additional to the other fiber optic repeaters, this module enables the installation of a ring topology, of which the status can be remotely monitored via the ComBricks web browser.



- One fiber optic channel, split into 2 ports
- 4 galvanically isolated channels
- Ring redundancy
- Multi-mode maximum length 5km

The B4FOR+ supports multiple fiber optic topologies; ring, point-to-point, bus and star. The protocol transparency without configuration, allows direct integration in existing PROFIBUS networks to benefit from the advantages optical data infrastructures offer.

The ProfiHub B4FOR+ is equipped with 4 galvanic isolated RS 485 channels utilizing a maximum of 31 devices per channel. The mechanical design consists of a compact, flat and stable metal housing which can be mounted on a DIN-rail. It contains an alarm relay, redundant power supply, diagnostic LEDs and it supports the redundancy feature.



- 4 galvanically isolated channels
- 9.6 Kbps .. 12 Mbps (auto detection)
- 1200m segment length (depends on baudrate)
- Bus redundancy
- Screw terminals and DB9 connectors
- integrated termination
- Power supply 12 ... 24 VDC
- Redundant power supply
- IP 20 classification
- Temperature =25 ... +70°C
- Dimensions (LxWxH): 167 x 111 x 40 mm

File	Version	Size	Read online
Order Code	17430		
Warranty	1 year		

Copyright © 2020 HMS Industrial Networks - All rights reserved.

