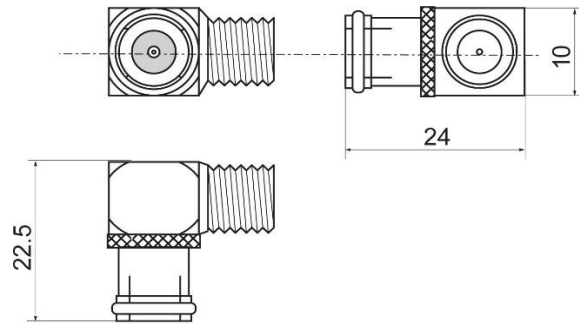


	REVISED	DR	APP



HF-Winkeladapter
 - Anschlüsse: F-Quick Stecker > F-Kupplung
 - Material: Kupfer
 - Impedanz: 75 Ohm
 - Frequenzband: 5-2400 MHz
 - Gewicht: 12,3 g
 - Winkel: 90°
 - RoHS-konform

1	CONNECTORS	90° F ADAPTOR F QUICK PLUG - F JACK
2	MOLDING	
3	CABLE	
NO	PART NAME	



DESCRIPTION		90° F ADAPTOR F QUICK PLUG - F JACK					
SIZE	A4	DATE	21.11.2018	CHECKED		TOL	
UNIT	MM	DRAWN	R.Hueller	APPROVED			BS15-301714
CUSTOM TARIF NO.: 85369010000							