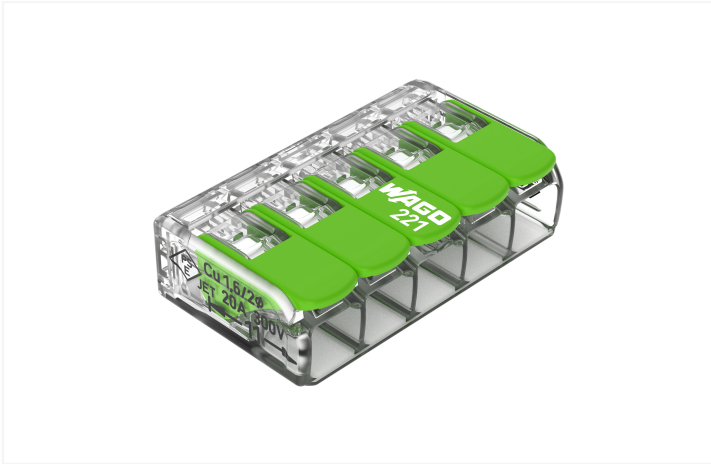


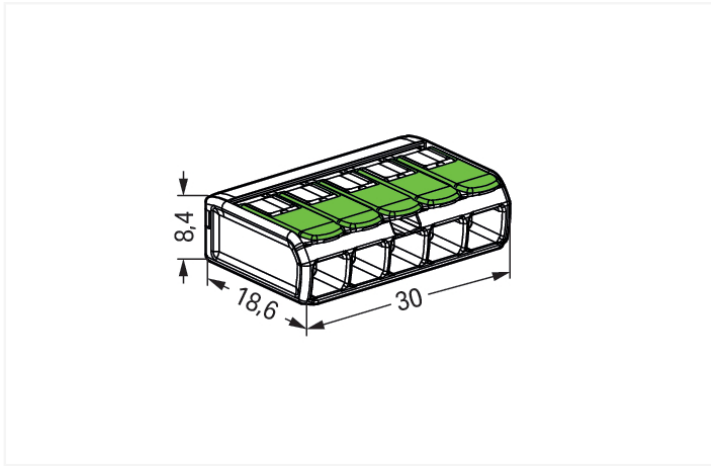
Data Sheet | Item Number: 221-425

Splicing connector with levers; for all conductor types; max. 4 mm²; 5-conductor; transparent housing; Surrounding air temperature: max 85°C (T85); 4,00 mm²; transparent



<https://www.wago.com/221-425>





Texte

Item description	<p>Your Benefits:</p> <ul style="list-style-type: none"> • Ease of use – pull the lever up, insert a conductor and push the lever back down • Available as 2-, 3- and 5-wire connectors • Easily terminate conductors from 0.14 to 4 mm² • Connect solid, stranded and fine-stranded conductors • Time savings for installers and device manufacturers • Quickly install devices with higher power consumption • Safely install long cable runs with larger conductor cross sections • Mounting carrier for installation conforms to standards • Custom carriers are possible
------------------	---------------------------------------------------------------------------------------------------------------------------------------------------------------------------------------------------------------------------------------------------------------------------------------------------------------------------------------------------------------------------------------------------------------------------------------------------------------------------------------------------------------------------------------------------------------------------------------------------------------------------------------------------------------------------------

Notes

Safety information	in grounded power lines
--------------------	-------------------------

Electrical data

Ratings per IEC/EN	
Ratings per	EN 60664
Nominal voltage (II/2)	450 V
Rated surge voltage (II/2)	4 kV
Rated current	32 A
Legend (ratings)	(II / 2) # Overvoltage category II / Pollution degree 2

Ratings per UL 1059	
Approvals per	UL 486C
Rated voltage UL (Use Group C)	600 V
Rated current UL (Use Group C)	20 A

Connection data

Connection points	5
Total number of potentials	1

Connection 1	
Connection technology	CAGE CLAMP®
Actuation type	Lever
Connectable conductor materials	Copper
Nominal cross-section	4 mm ² / 12 AWG
Solid conductor	0.2 ... 4 mm ² / 24 ... 12 AWG
Stranded conductor	0.2 ... 4 mm ² / 24 ... 12 AWG
Fine-stranded conductor	0.14 ... 4 mm ² / 24 ... 12 AWG
Strip length	11 mm / 0.43 inches
Wiring direction	Side-entry wiring

Physical data

Width	30 mm / 1.181 inches
-------	----------------------

Physical data

Height	8.6 mm / 0.327 inches
Depth	18.8 mm / 0.732 inches

Material data

Note (material data)	Information on material specifications can be found here
Color	transparent
Insulation material	Polycarbonate (PC)
Flammability class per UL94	V2
Fire load	0.111 MJ
Actuator color	green
Weight	4.11 g

Environmental requirements

Ambient temperature (operation)	+85 °C
Continuous operating temperature	105 °C
Temperature marking per EN 60998	T85

Commercial data

PU (SPU)	250 (25) pcs
Country of origin	DE
GTIN	4066966345285
Customs tariff number	85369010000

Environmental Product Compliance

RoHS Compliance Status	Compliant, No Exemption
------------------------	-------------------------