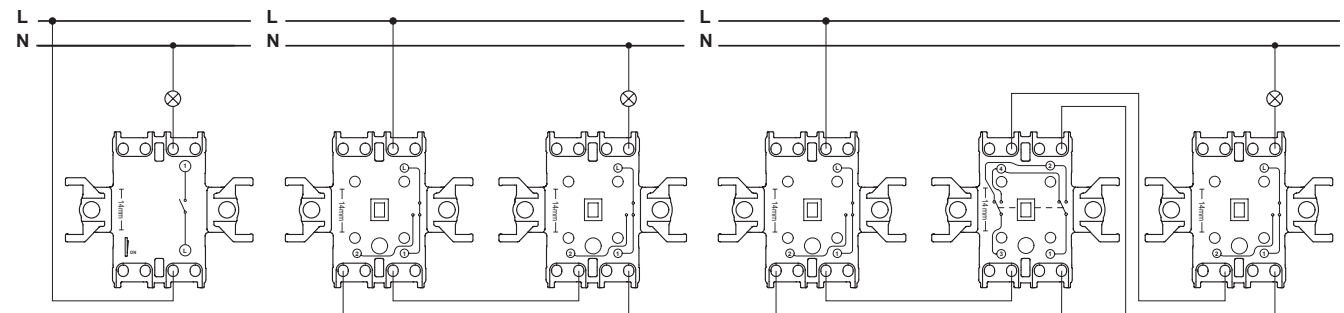


Technical information

Switches and push-buttons

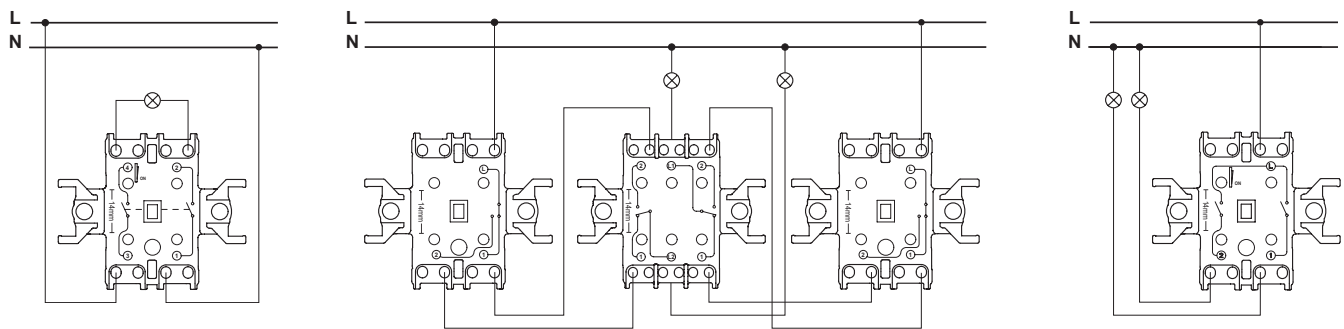
Connection examples



1-way switch

Two 2-way switches

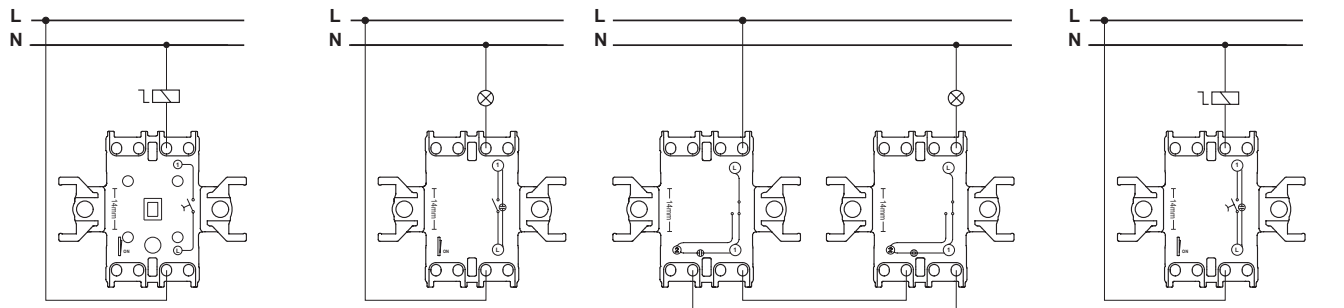
Two 2-way switches + 1 intermediate switch



2-pole switch

Two 2-way switches + one double 2-way switch acting on two different loads

2-circuit switch

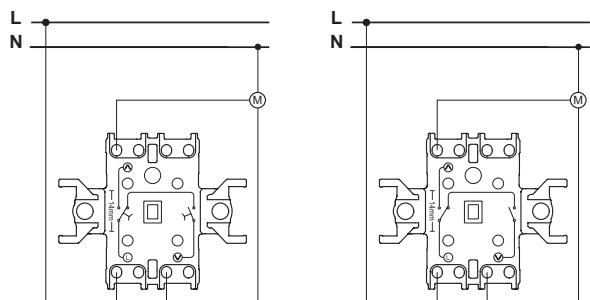


Push-button

1-way switch with locator lamp

Two 2-way switches with locator lamps

Push-button with locator lamp



Roller blind push-button

Roller blind switch

Technical information

Dimmers

Rotary electronic dimmer

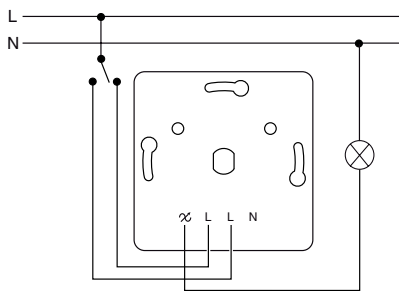
Installation

You must reduce the maximum allowed load due to the decreased heat dissipation when the device is not mounted into a single standard flushmounted mounting box.

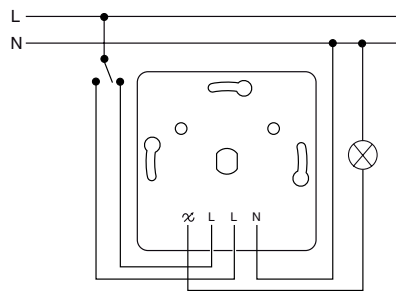
Load reduction by	Mounted in cavity walls ⁽¹⁾	Several installed together in combination ⁽¹⁾	In 1-gang or 2-gang surface-mounted housing	In 3-gang surface-mounted housing
25 %	■	■		
30 %			■	
50 %				■

(1) If several factors apply, add the load reductions together.

Connections

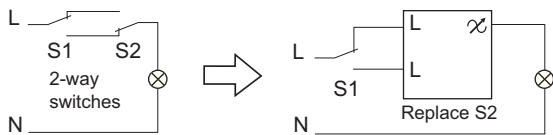
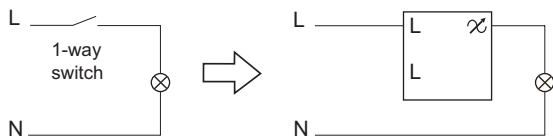


With neutral wire



Without neutral wire

Substitution examples



Technical information

Antenna outlets

Type		TV			TV-R		
		Ending 1 dB	Intermediate 4 dB	Intermediate 8 dB	Ending 1 dB	Intermediate 4 dB	Intermediate 8 dB
		EPH32001xx EPH32701xx	EPH32002xx	EPH32003xx EPH32703xx	EPH33001xx EPH33007xx	EPH33002xx	EPH33003xx
Loss	dB	1	4	8	1	4	8
Operating Frequency	SAT	MHz	-	-	-	-	-
	TV/VHF		5-862	5-862	5-862	118-470	118-470
	TV/UHF		5-862	5-862	5-862	470-830	470-830
	R		-	-	-	10-108	10-108
Pass through attenuation	SAT	dB	-	-	-	-	-
	TV/VHF		1	4	8	1.5	3.7
	TV/UHF		1	4	8	2.8	4.6
	R		-	-	-	11.1	9.3
Outlet attenuation	dB	1	4	8	0.5	0.5	0.5
DC Current		-	-	-	-	-	-
Outlets/line		-	-	-	1	4	4

Type		TV-SAT				TV-R-SAT		
		Ending 1 db	Intermediate 4 dB	Intermediate 8 dB	Individual 1 dB	Ending 1 db	Intermediate 4 dB	Intermediate 8 dB
		EPH34001xx EPH34701xx	EPH34002xx	EPH34003xx EPH34703xx	EPH34004xx	EPH35001xx	EPH35002xx	EPH35003xx
Loss	dB	1	4	8	1	1	4	8
Operating Frequency	SAT	MHz	950-2400	950-2400	950-2400	950-2400	950-2400	950-2400
	TV/VHF		118-470	118-470	118-470	118-470	118-470	118-470
	TV/UHF		470-830	470-830	470-830	470-830	470-830	470-830
	R		-	-	-	-	10-108	10-108
Pass through attenuation	SAT	dB	13	12.1	10.3	13	4.1	4.2
	TV/VHF		2.2	4.5	10.8	2.2	1.5	4.9
	TV/UHF		1	4.8	12.3	1	2.7	5.1
	R		-	-	-	-	14.8	16.8
Outlet attenuation	dB	-	0.5	0.5	-	-	0.5	0.5
DC Current		in SAT outlet	in SAT outlet	in SAT outlet	in SAT outlet	in SAT outlet	in SAT outlet	in SAT outlet
Outlets/line		1	4	4	1	1	4	4

Type		TV-SAT-SAT	SAT	
		Ending 1 dB	Ending 1 db	Intermediate 4 dB
		EPH36001xx EPH36701xx	EPH37001xx EPH37701xx	EPH37002xx
Loss	dB	1	1	4
Operating Frequency	SAT	MHz	950-2400	950-2400
	TV/VHF		118-470	118-470
	TV/UHF		470-830	470-830
	R		-	10-108
Pass through attenuation	SAT	dB	13	4.1
	TV/VHF		2.2	1.5
	TV/UHF		1	2.7
	R		-	14.8
Outlet attenuation	dB	-	-	0.5
DC Current		in SAT outlet	in SAT outlet	in SAT outlet
Outlets/line		1	1	4

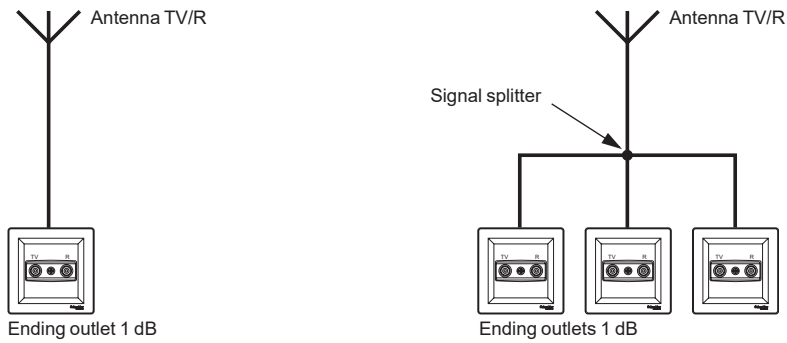
Only one of the outlets in "Ending TV / R outlet" can also be used as individual one.

Only the cable connected outlet in "Individual TV / SAT outlet" can be used as ending one in linear installation.

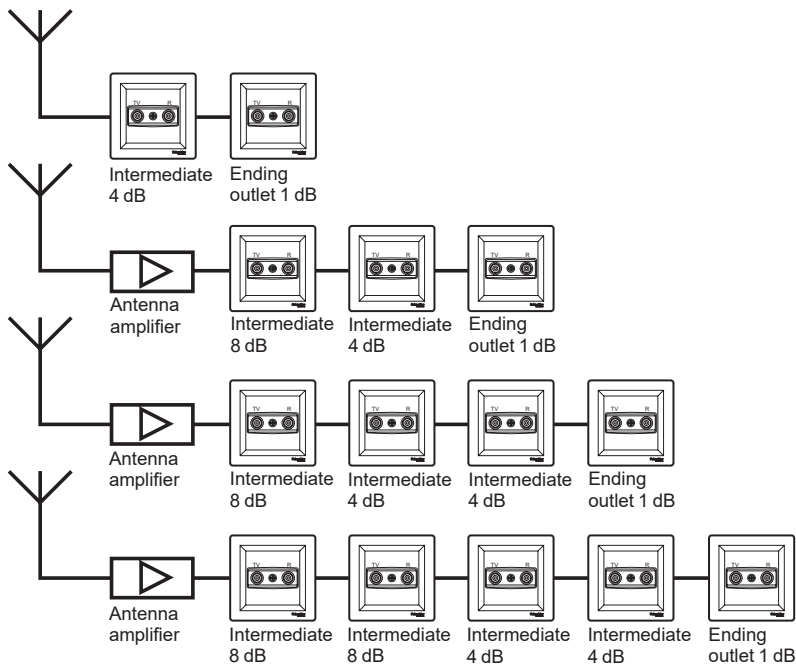
Technical information

Antenna outlets

TV/R applications



Linear installation inserts intermediate 4 dB, 8 dB and end of line 1 dB (always in the end)

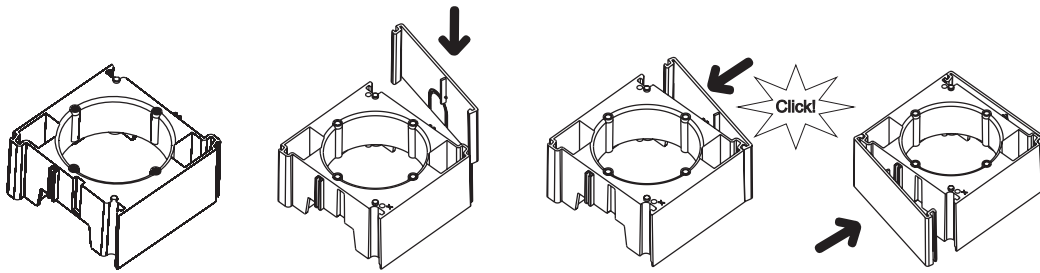


Technical information

Surface-mounted boxes

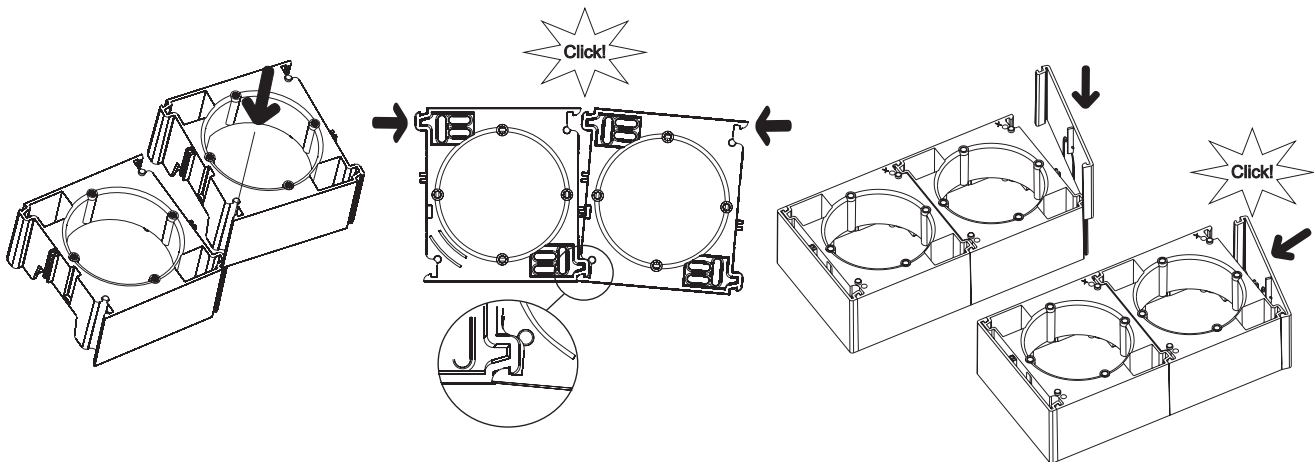
1 gang mounting

(EPH61001xx)

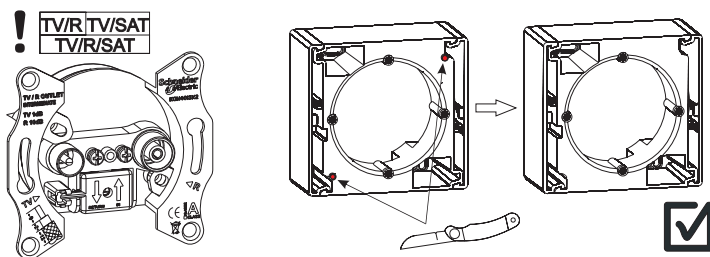


Multi-gang mounting

(EPH61001xx + EPH61002xx)

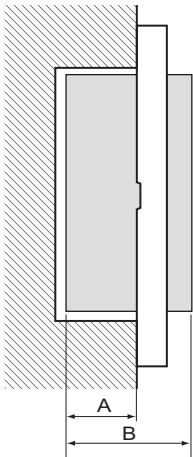


Mounting with TV/R, TV/SAT, TV/R/SAT outlets



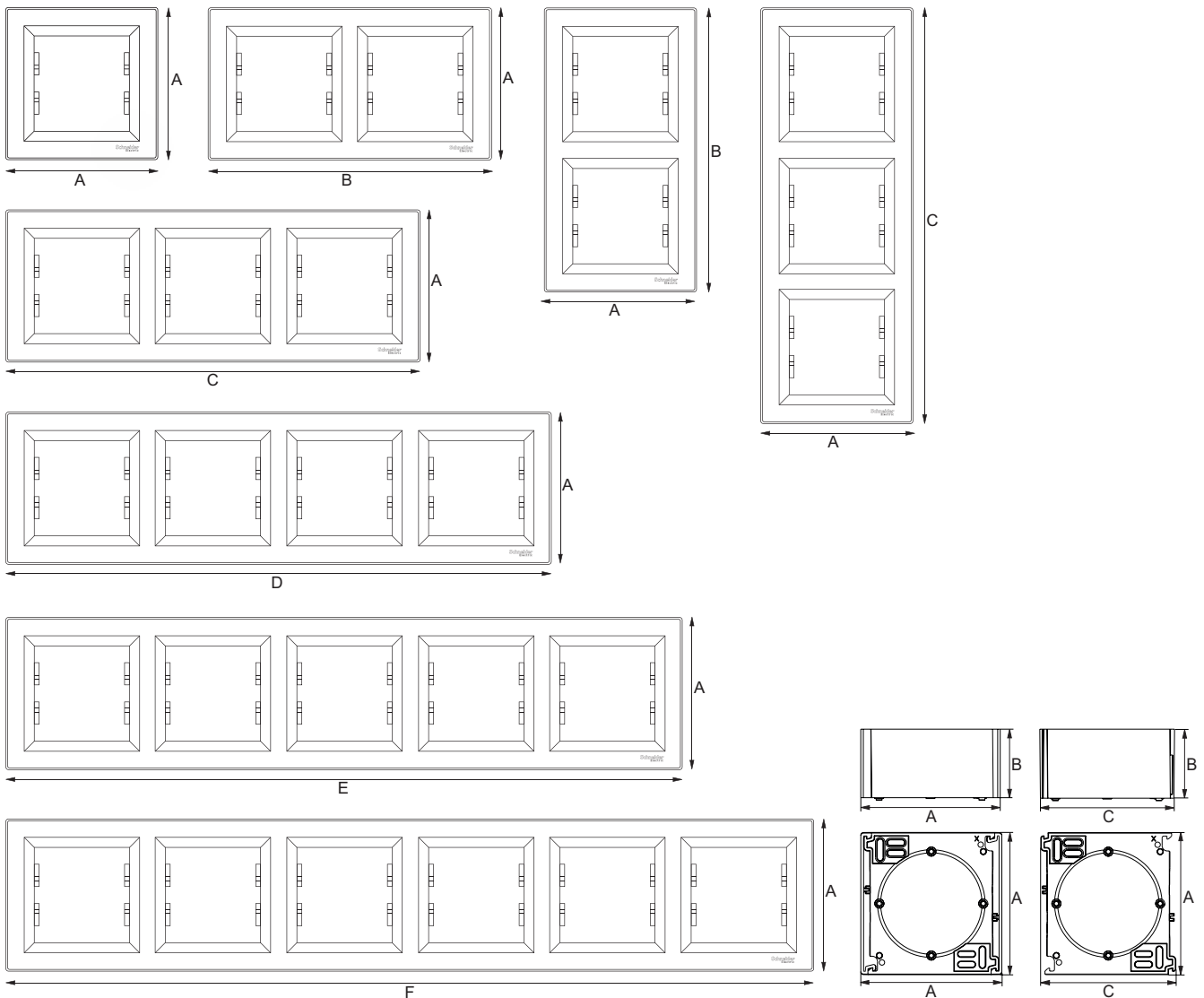
Technical information

Dimensions



A: Embedding depth
B: Depth

Ref.	A (mm)	B (mm)	Ref.	A (mm)	B (mm)	Ref.	A (mm)	B (mm)	Ref.	A (mm)	B (mm)
EPH01001xx	28	43	EPH13001xx	28	43	EPH29005xx	32	42	EPH41001xx	29	38
EPH01002xx	28	43	EPH13003xx	28	43	EPH30001xx	32	42	EPH42001xx	29	38
EPH01003xx	28	43	EPH13005xx	28	43	EPH31001xx	32	47	EPH43001xx	27	36
EPH02001xx	28	43	EPH14001xx	28	43	EPH31003xx	32	42	EPH44001xx	27	36
EPH02003xx	28	43	EPH14003xx	28	43	EPH32001xx	28	38	EPH47001xx	27	36
EPH03001xx	28	43	EPH14303xx	28	43	EPH32002xx	28	38	EPH48001xx	27	36
EPH03003xx	28	43	EPH15001xx	28	43	EPH32003xx	28	38	EPH49001xx	27	36
EPH04001xx	28	43	EPH15003xx	28	43	EPH33001xx	28	38	EPH50001xx	39	48
EPH04003xx	28	43	EPH16001xx	28	43	EPH33002xx	28	38	EPH56001xx	26	35
EPH04004xx	28	43	EPH16003xx	28	43	EPH33003xx	28	38	EPH57001xx	26	43
EPH05001xx	28	43	EPH17001xx	28	43	EPH34001xx	29	42	EPH62001xx	29	52
EPH05003xx	28	43	EPH17003xx	28	43	EPH34002xx	29	42	EPH63001xx	29	52
EPH06001xx	28	43	EPH18001xx	28	43	EPH34003xx	29	42	EPH680012x	29	48
EPH06003xx	28	43	EPH19003xx	28	43	EPH34004xx	29	42	EPH680112x	29	48
EPH07001xx	28	43	EPH28001xx	32	42	EPH35001xx	29	42	EPH97001xx	23	46
EPH08001xx	28	43	EPH28002xx	32	42	EPH35002xx	29	42	EPH97002xx	23	46
EPH08003xx	28	43	EPH28003xx	32	48	EPH35003xx	29	42	EPH98001xx	23	46
EPH09001xx	28	43	EPH28004xx	32	42	EPH36001xx	29	42	EPH98002xx	23	46
EPH11001xx	28	43	EPH29001xx	32	42	EPH37001xx	29	42	EPH99001xx	23	46
EPH11003xx	28	43	EPH29002xx	32	42	EPH37002xx	29	42			



Horizontal and vertical frames (mm)

1 gang	2 gang	3 gang	4 gang	5 gang	6 gang
A	B	C	D	E	F
83	154	225	296	367	439

Surface-mounted boxes (mm)

1 gang	Extension			
A	B	A	B	C
82	40	82	40	78

Reference numbers

Overview

Ref.	Page	Ref.	Page	Ref.	Page	Ref.	Page
EPH0100121	10	EPH0400121	10	EPH0700123	12	EPH1300321	13
EPH0100123	10	EPH0400123	10	EPH0700161	12	EPH1300323	13
EPH0100161	10	EPH0400161	10	EPH0700162	12	EPH1300361	13
EPH0100162	10	EPH0400162	10	EPH0700169	12	EPH1300362	13
EPH0100169	10	EPH0400169	10	EPH0700171	12	EPH1300369	13
EPH0100171	10	EPH0400171	10	EPH0770121	12	EPH1300371	13
EPH0100221	10	EPH0400321	10	EPH0770123	12	EPH1300521	11
EPH0100223	10	EPH0400323	10	EPH0800121	12	EPH1300523	11
EPH0100261	10	EPH0400361	10	EPH0800123	12	EPH1300561	11
EPH0100262	10	EPH0400362	10	EPH0800161	12	EPH1300562	11
EPH0100269	10	EPH0400369	10	EPH0800162	12	EPH1300569	11
EPH0100271	10	EPH0400371	10	EPH0800169	12	EPH1300571	11
EPH0100321	10	EPH0400421	10	EPH0800171	12	EPH1370121	13
EPH0100323	10	EPH0400423	10	EPH0800321	12	EPH1370123	13
EPH0100361	10	EPH0400461	10	EPH0800323	12	EPH1370521	11
EPH0100362	10	EPH0400462	10	EPH0800361	12	EPH1370523	11
EPH0100369	10	EPH0400469	10	EPH0800362	12	EPH1400121	11
EPH0100371	10	EPH0400471	10	EPH0800369	12	EPH1400123	11
EPH0170121	10	EPH0470121	10	EPH0800371	12	EPH1400161	11
EPH0170123	10	EPH0470123	10	EPH0870121	12	EPH1400162	11
EPH0200121	10	EPH0500121	10	EPH0870123	12	EPH1400169	11
EPH0200123	10	EPH0500123	10	EPH0900121	12	EPH1400171	11
EPH0200161	10	EPH0500161	10	EPH0900123	12	EPH1400321	11
EPH0200162	10	EPH0500162	10	EPH0900161	12	EPH1400323	11
EPH0200169	10	EPH0500169	10	EPH0900162	12	EPH1400361	11
EPH0200171	10	EPH0500171	10	EPH0900169	12	EPH1400362	11
EPH0200321	10	EPH0500321	10	EPH0900171	12	EPH1400369	11
EPH0200323	10	EPH0500323	10	EPH0970121	12	EPH1400371	11
EPH0200361	10	EPH0500361	10	EPH0970123	12	EPH1430321	11
EPH0200362	10	EPH0500362	10	EPH1100121	12	EPH1430323	11
EPH0200369	10	EPH0500369	10	EPH1100123	12	EPH1430361	11
EPH0200371	10	EPH0500371	10	EPH1100161	12	EPH1430362	11
EPH0270121	10	EPH0570121	10	EPH1100162	12	EPH1430369	11
EPH0270123	10	EPH0570123	10	EPH1100169	12	EPH1430371	11
EPH0300121	10	EPH0600121	10	EPH1100171	12	EPH1470121	11
EPH0300123	10	EPH0600123	10	EPH1100321	12	EPH1500121	11
EPH0300161	10	EPH0600161	10	EPH1100323	12	EPH1500123	11
EPH0300162	10	EPH0600162	10	EPH1100361	12	EPH1500161	11
EPH0300169	10	EPH0600169	10	EPH1100362	12	EPH1500162	11
EPH0300171	10	EPH0600171	10	EPH1100369	12	EPH1500169	11
EPH0300321	10	EPH0600321	10	EPH1100371	12	EPH1500171	11
EPH0300323	10	EPH0600323	10	EPH1170121	12	EPH1500321	11
EPH0300361	10	EPH0600361	10	EPH1170123	12	EPH1500323	11
EPH0300362	10	EPH0600362	10	EPH1300121	13	EPH1500361	11
EPH0300369	10	EPH0600369	10	EPH1300123	13	EPH1500362	11
EPH0300371	10	EPH0600371	10	EPH1300161	13	EPH1500369	11
EPH0370121	10	EPH0670121	10	EPH1300162	13	EPH1500371	11
EPH0370123	10	EPH0670123	10	EPH1300169	13	EPH1570121	11
		EPH0700121	12	EPH1300171	13	EPH1570123	11

Reference numbers

Overview

Ref.	Page	Ref.	Page	Ref.	Page	Ref.	Page
EPH1600121	13	EPH2100161	10	EPH2900121	15	EPH3200271	16
EPH1600123	13	EPH2100162	10	EPH2900123	15	EPH3200321	16
EPH1600161	13	EPH2100169	10	EPH2900161	15	EPH3200323	16
EPH1600162	13	EPH2100171	10	EPH2900162	15	EPH3200361	16
EPH1600169	13	EPH2170121	10	EPH2900169	15	EPH3200362	16
EPH1600171	13	EPH2170123	10	EPH2900171	15	EPH3200369	16
EPH1600321	13	EPH2700221	18	EPH2900221	15	EPH3200371	16
EPH1600323	13	EPH2700223	18	EPH2900223	15	EPH3270121	16
EPH1600361	13	EPH2700261	18	EPH2900261	15	EPH3270123	16
EPH1600362	13	EPH2700262	18	EPH2900262	15	EPH3270321	16
EPH1600369	13	EPH2700269	18	EPH2900269	15	EPH3270323	16
EPH1600371	13	EPH2700271	18	EPH2900271	15	EPH3300121	16
EPH1601521	13	EPH2700321	18	EPH2900521	15	EPH3300123	16
EPH1670123	13	EPH2700323	18	EPH2900523	15	EPH3300161	16
EPH1700121	13	EPH2700361	18	EPH2970121	15	EPH3300162	16
EPH1700123	13	EPH2700362	18	EPH2970123	15	EPH3300169	16
EPH1700161	13	EPH2700369	18	EPH2970221	15	EPH3300171	16
EPH1700162	13	EPH2700371	18	EPH2970223	15	EPH3300221	16
EPH1700169	13	EPH2700421	18	EPH3000121	14	EPH3300223	16
EPH1700171	13	EPH2700471	18	EPH3000123	14	EPH3300261	16
EPH1700321	13	EPH2800121	14	EPH3000161	14	EPH3300262	16
EPH1700323	13	EPH2800123	14	EPH3000162	14	EPH3300269	16
EPH1700361	13	EPH2800161	14	EPH3000169	14	EPH3300271	16
EPH1700362	13	EPH2800162	14	EPH3000171	14	EPH3300321	16
EPH1700369	13	EPH2800169	14	EPH3100121	15	EPH3300323	16
EPH1700371	13	EPH2800171	14	EPH3100123	15	EPH3300361	16
EPH1770121	13	EPH2800221	14	EPH3100161	15	EPH3300362	16
EPH1770123	13	EPH2800223	14	EPH3100162	15	EPH3300369	16
EPH1800121	13	EPH2800261	14	EPH3100169	15	EPH3300371	16
EPH1800123	13	EPH2800262	14	EPH3100171	15	EPH3300721	16
EPH1800161	13	EPH2800269	14	EPH3100321	15	EPH3300723	16
EPH1800162	13	EPH2800271	14	EPH3100323	15	EPH3400121	16
EPH1800169	13	EPH2800321	14	EPH3100361	15	EPH3400123	16
EPH1800171	13	EPH2800323	14	EPH3100362	15	EPH3400161	16
EPH1870121	13	EPH2800361	14	EPH3100369	15	EPH3400162	16
EPH1900121	13	EPH2800362	14	EPH3100371	15	EPH3400169	16
EPH1900123	13	EPH2800369	14	EPH3170121	15	EPH3400171	16
EPH1900161	13	EPH2800371	14	EPH3170123	15	EPH3400221	16
EPH1900162	13	EPH2800421	14	EPH3200121	16	EPH3400223	16
EPH1900169	13	EPH2800423	14	EPH3200123	16	EPH3400261	16
EPH1900171	13	EPH2800621	14	EPH3200161	16	EPH3400262	16
EPH1900321	13	EPH2800623	14	EPH3200162	16	EPH3400269	16
EPH1900323	13	EPH2800661	14	EPH3200169	16	EPH3400271	16
EPH1900361	13	EPH2800662	14	EPH3200171	16	EPH3400321	16
EPH1900362	13	EPH2800669	14	EPH3200221	16	EPH3400323	16
EPH1900369	13	EPH2800671	14	EPH3200223	16	EPH3400361	16
EPH1900371	13	EPH2870121	14	EPH3200261	16	EPH3400362	16
EPH2100121	10	EPH2870123	14	EPH3200262	16	EPH3400369	16
EPH2100123	10	EPH2870442	14	EPH3200269	16	EPH3400371	16

Reference numbers

Overview

Ref.	Page	Ref.	Page	Ref.	Page	Ref.	Page
EPH3400421	16	EPH3770123	16	EPH4900121	17	EPH5800223	19
EPH3400423	16	EPH4100121	17	EPH4900123	17	EPH5800261	19
EPH3400461	16	EPH4100123	17	EPH4900161	17	EPH5800262	19
EPH3400462	16	EPH4100161	17	EPH4900162	17	EPH5800269	19
EPH3400469	16	EPH4100162	17	EPH4900169	17	EPH5800271	19
EPH3400471	16	EPH4100169	17	EPH4900171	17	EPH5800321	19
EPH3470121	16	EPH4100171	17	EPH5000121	17	EPH5800323	19
EPH3470123	16	EPH4170121	17	EPH5000123	17	EPH5800361	19
EPH3470321	16	EPH4170123	17	EPH5000161	17	EPH5800362	19
EPH3470323	16	EPH4200121	17	EPH5000162	17	EPH5800369	19
EPH3500121	16	EPH4200123	17	EPH5000169	17	EPH5800371	19
EPH3500123	16	EPH4200161	17	EPH5000171	17	EPH5800421	19
EPH3500161	16	EPH4200162	17	EPH5200121	17	EPH5800423	19
EPH3500162	16	EPH4200169	17	EPH5200123	17	EPH5800461	19
EPH3500169	16	EPH4200171	17	EPH5200161	17	EPH5800462	19
EPH3500171	16	EPH4270121	17	EPH5200162	17	EPH5800469	19
EPH3500221	16	EPH4270123	17	EPH5200169	17	EPH5800471	19
EPH3500223	16	EPH4300121	17	EPH5200171	17	EPH5800521	19
EPH3500261	16	EPH4300123	17	EPH5270121	17	EPH5800523	19
EPH3500262	16	EPH4300161	17	EPH5270123	17	EPH5800561	19
EPH3500269	16	EPH4300162	17	EPH5500121	15	EPH5800562	19
EPH3500271	16	EPH4300169	17	EPH5500123	15	EPH5800569	19
EPH3500321	16	EPH4300171	17	EPH5500161	15	EPH5800571	19
EPH3500323	16	EPH4370121	17	EPH5500162	15	EPH5800621	19
EPH3500361	16	EPH4370123	17	EPH5500169	15	EPH5800623	19
EPH3500362	16	EPH4400121	17	EPH5500171	15	EPH5800661	19
EPH3500369	16	EPH4400123	17	EPH5600121	19	EPH5800662	19
EPH3500371	16	EPH4400161	17	EPH5600123	19	EPH5800669	19
EPH3600121	16	EPH4400162	17	EPH5600161	19	EPH5800671	19
EPH3600123	16	EPH4400169	17	EPH5600162	19	EPH5810221	19
EPH3600161	16	EPH4400171	17	EPH5600169	19	EPH5810223	19
EPH3600162	16	EPH4470121	17	EPH5600171	19	EPH5810261	19
EPH3600169	16	EPH4470123	17	EPH5670121	19	EPH5810262	19
EPH3600171	16	EPH4700121	17	EPH5670123	19	EPH5810269	19
EPH3670121	16	EPH4700123	17	EPH5700121	17	EPH5810271	19
EPH3670123	16	EPH4700161	17	EPH5700123	17	EPH5810321	19
EPH3700121	16	EPH4700162	17	EPH5700161	17	EPH5810323	19
EPH3700123	16	EPH4700169	17	EPH5700162	17	EPH5810361	19
EPH3700161	16	EPH4700171	17	EPH5700169	17	EPH5810362	19
EPH3700162	16	EPH4770121	17	EPH5700171	17	EPH5810369	19
EPH3700169	16	EPH4770123	17	EPH5770121	17	EPH5810371	19
EPH3700171	16	EPH4800121	17	EPH5770123	17	EPH6100121	19
EPH3700221	16	EPH4800123	17	EPH5800121	19	EPH6100123	19
EPH3700223	16	EPH4800161	17	EPH5800123	19	EPH6100161	19
EPH3700261	16	EPH4800162	17	EPH5800161	19	EPH6100162	19
EPH3700262	16	EPH4800169	17	EPH5800162	19	EPH6100169	19
EPH3700269	16	EPH4800171	17	EPH5800169	19	EPH6100171	19
EPH3700271	16	EPH4870121	17	EPH5800171	19	EPH6100221	19
EPH3770121	16	EPH4870123	17	EPH5800221	19	EPH6100223	19

Reference numbers

Overview

Ref.	Page	Ref.	Page
EPH6100261	19	EPH9900171	15
EPH6100262	19		
EPH6100269	19		
EPH6100271	19		
EPH6200121	11		
EPH6200123	11		
EPH6200161	11		
EPH6200162	11		
EPH6200169	11		
EPH6200171	11		
EPH6270121	11		
EPH6270123	11		
EPH6800121	18		
EPH6800123	18		
EPH6800161	18		
EPH6800162	18		
EPH6800169	18		
EPH6800171	18		
EPH6801121	18		
EPH6870121	18		
EPH6870123	18		
EPH9700121	14		
EPH9700123	14		
EPH9700221	14		
EPH9700223	14		
EPH9700261	14		
EPH9700262	14		
EPH9700269	14		
EPH9700271	14		
EPH9800121	14		
EPH9800123	14		
EPH9800171	14		
EPH9800221	14		
EPH9800223	14		
EPH9800261	14		
EPH9800262	14		
EPH9800269	14		
EPH9800271	14		
EPH9810221	14		
EPH9810223	14		
EPH9810261	14		
EPH9810262	14		
EPH9810269	14		
EPH9810271	14		
EPH9900121	15		
EPH9900123	15		
EPH9900161	15		
EPH9900162	15		
EPH9900169	15		

Notes



Green Premium™

An industry leading portfolio of offers delivering sustainable value



More than 75% of our product sales offer superior transparency on the material content, regulatory information and environmental impact of our products:

- RoHS compliance
- REACh substance information
- Industry leading # of PEP's*
- Circularity instructions



Discover what we mean by green

[Check your products!](#)

The Green Premium program stands for our commitment to deliver customer valued sustainable performance. It has been upgraded with recognized environmental claims and extended to cover all offers including Products, Services and Solutions.

CO₂ and P&L impact through... Resource Performance

Green Premium brings improved resource efficiency throughout an asset's lifecycle. This includes efficient use of energy and natural resources, along with the minimization of CO₂ emissions.

Cost of ownership optimization through... Circular Performance

We're helping our customers optimize the total cost of ownership of their assets. To do this, we provide IoT-enabled solutions, as well as upgrade, repair, retrofit, and remanufacture services.

Peace of mind through... Well-being Performance

Green Premium products are RoHS and REACh compliant. We're going beyond regulatory compliance with step-by-step substitution of certain materials and substances from our products.

Improved sales through... Differentiation

Green Premium delivers strong value propositions through third-party labels and services. By collaborating with third-party organizations we can support our customers in meeting their sustainability goals such as green building certifications.

*PEP: Product Environmental Profile (i.e. Environmental Product Declaration)

Life Is On | **Schneider**
Electric

Schneider Electric Industries SAS

35, rue Joseph Monier
CS 30323
92506 Rueil Malmaison Cedex
France

RCS Nanterre 954 503 439
Capital social 928 298 512 €
www.se.com

09-2022

© 2022 - Schneider Electric. All Rights Reserved.
All trademarks are owned by Schneider Electric Industries SAS or its affiliated companies.
Document reference: LSB02658EN

This document has been
printed on recycled paper

