



Pop-Out Video Monitor Wall Mount, 45-70"



Assembly Instructions

DA-90446

1. INTRODUCTION

"DA-90446 provides a professional video wall solution while being universally compatible with a maximum load capacity of 70 kg / 154 lbs and max. VESA 600x400 hole pattern. Multi-dimensional micro-adjustment allows precise alignment of the video wall configuration including depth, height and tilt. This video wall mount features a quick-lock mechanism for easy installation and maintenance. The quick-lock mechanism holds the screens in place, thanks to a locking and unlocking system. It is the perfect solution for public and commercial displays with an anti-theft design (padlock required).

2. FEATURES

1. Pop-out function - Quick access for installation and maintenance
2. Supported screen sizes: 45" - 70"
3. Maximum load capacity: 70 kg
4. Fine adjustment: Depth 20 mm / height 25 mm
5. Tilt range: +4° to -2°
6. Screen level: +3° to -3°
7. VESA compatibility: 200x200, 300x200, 400x200, 300x300, 400x300, 400x400, 600x400
8. Precise display alignment: Height/depth adjustment
9. Quick lock: Locks/unlocks the display
10. Pop-out lock system: Ensures safety by preventing the possibility of accidental pop-out

3. PACKAGE CONTENT

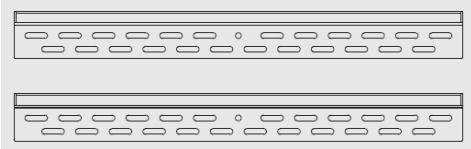

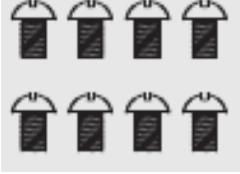
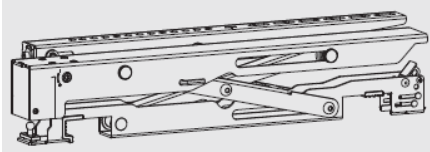
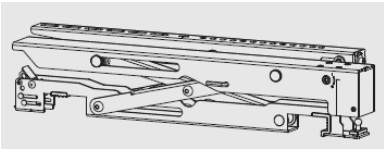
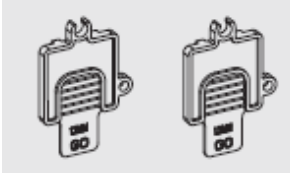
1. 1 x Pop-Out Video Monitor Wall Mount
2. 1 x Mounting material
3. 1 x Installation instructions

4. Specifications

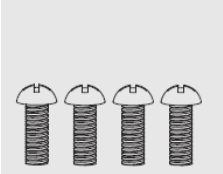
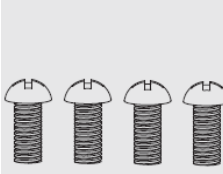
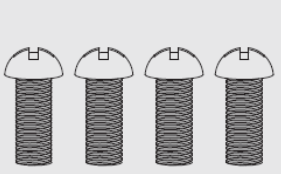
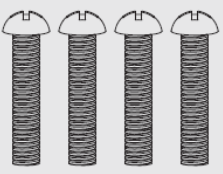
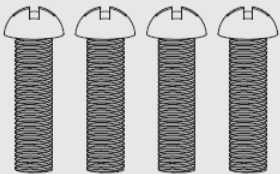
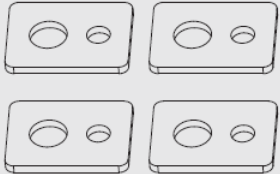
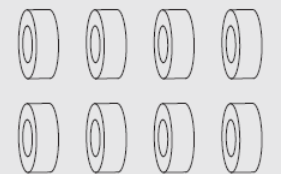
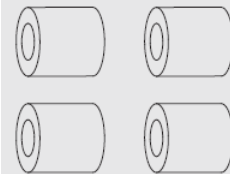
| | |
|-----------------------|--|
| Anti-theft lock hole: | For added security against unintentional removal (additional padlock required) |
| Mounting: | Wall installation |
| Material: | Steel |

| | |
|----------------------|--------------------------|
| Color: | Black |
| Surface: | Powder coating |
| Dimensions (folded): | W 67 x D 52.4 x H 9.5 cm |
| Weight: | 10.55 kg |

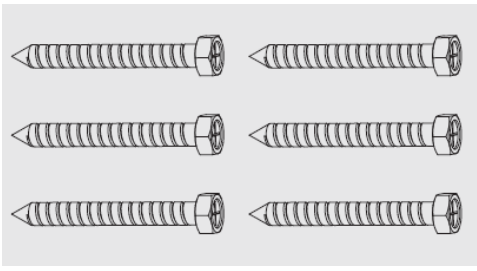
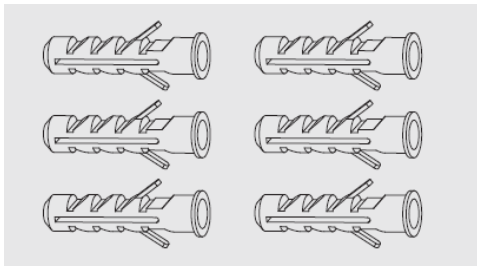
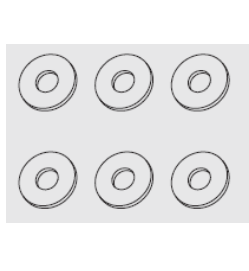
5. Installation Instructions

| | | |
|--|---|--|
|  |  |  |
| <p>wall plate A</p> | <p>connecting plate B</p> | <p>M5x8 C</p> |
|  |  |  |
| <p>left pop-out adapter bracket C</p> | <p>right pop-out adapter bracket D</p> | <p>plastic locking piece F</p> |

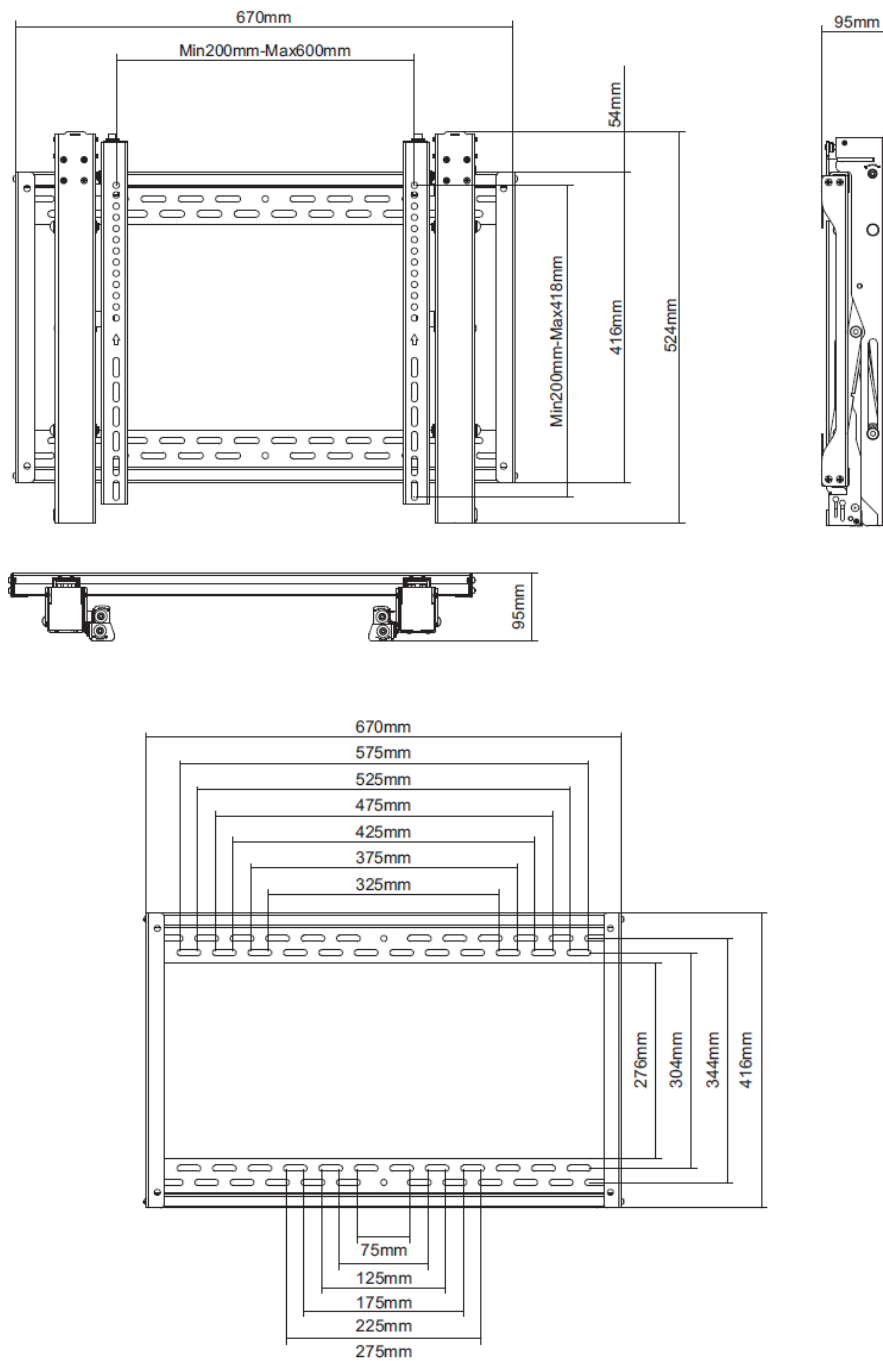
Package M

| | | | |
|---|---|--|---|
|  |  |  |  |
| <p>M5x14 M-A</p> | <p>M6x14 M-B</p> | <p>M8x20 M-C</p> | <p>M6x30 M-D</p> |
|  |  |  |  |
| <p>M8x30 M-E</p> | <p>washer M-F</p> | <p>small spacer M-G</p> | <p>big spacer M-H</p> |

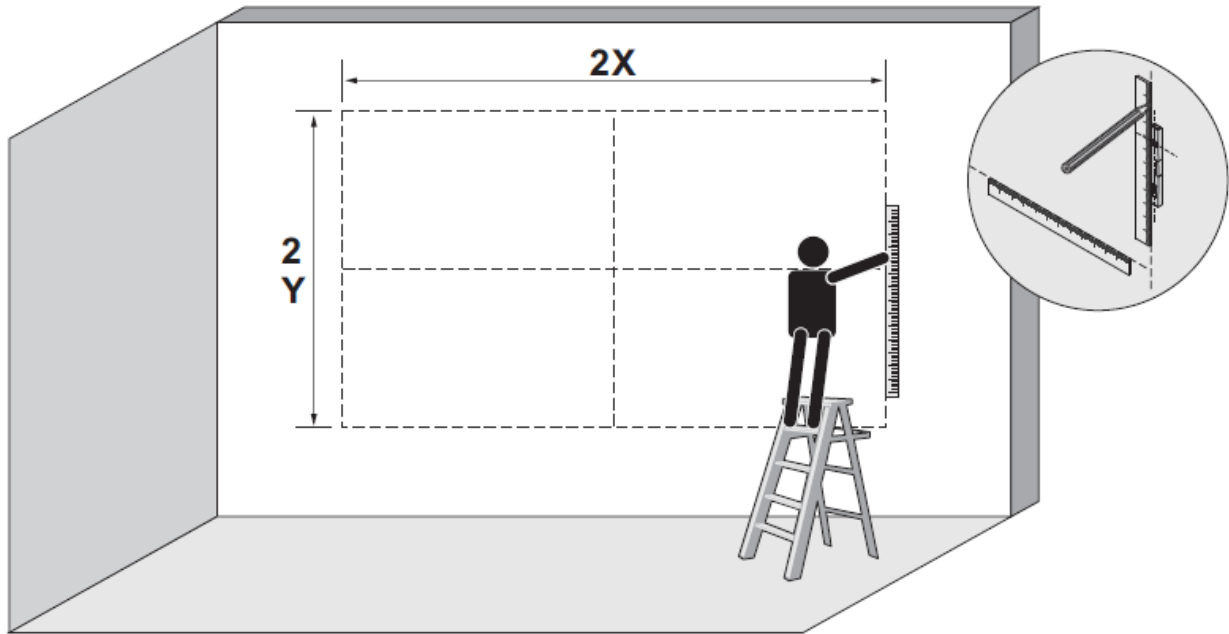
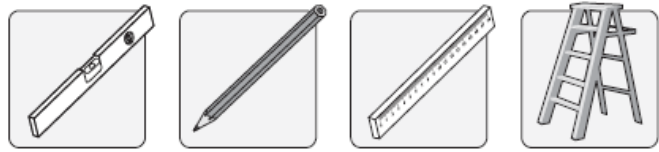
Package W

| | | |
|---|--|---|
|  |  |  |
| <p>ST6.3x55 W-A</p> | <p>concrete anchor W-B</p> | <p>D6 washer W-C</p> |

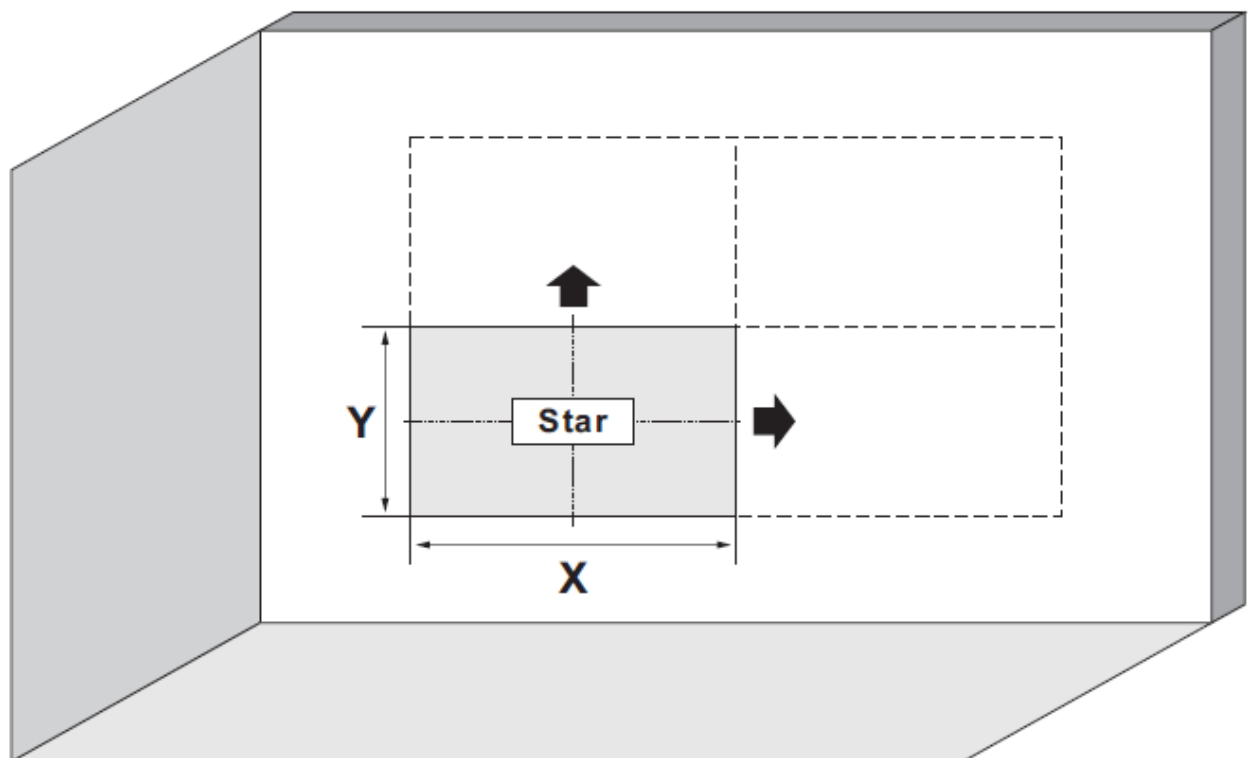
1. Product Dimensions



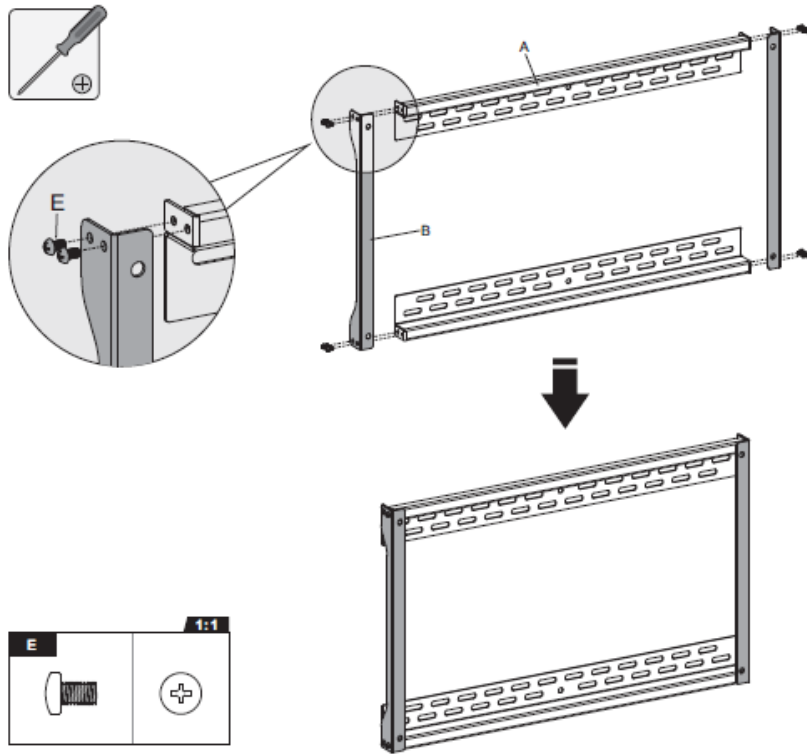
2. Video Wall Installation



X=Length of display Y=Height of display



3. Assembling the Wall Plate


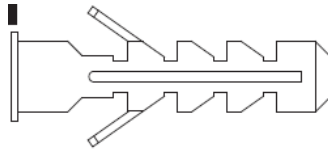
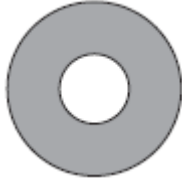





Attach the connecting plates to the wall plates using the appropriate screws.

4. For Solid Brick and Concrete Wall Mounting



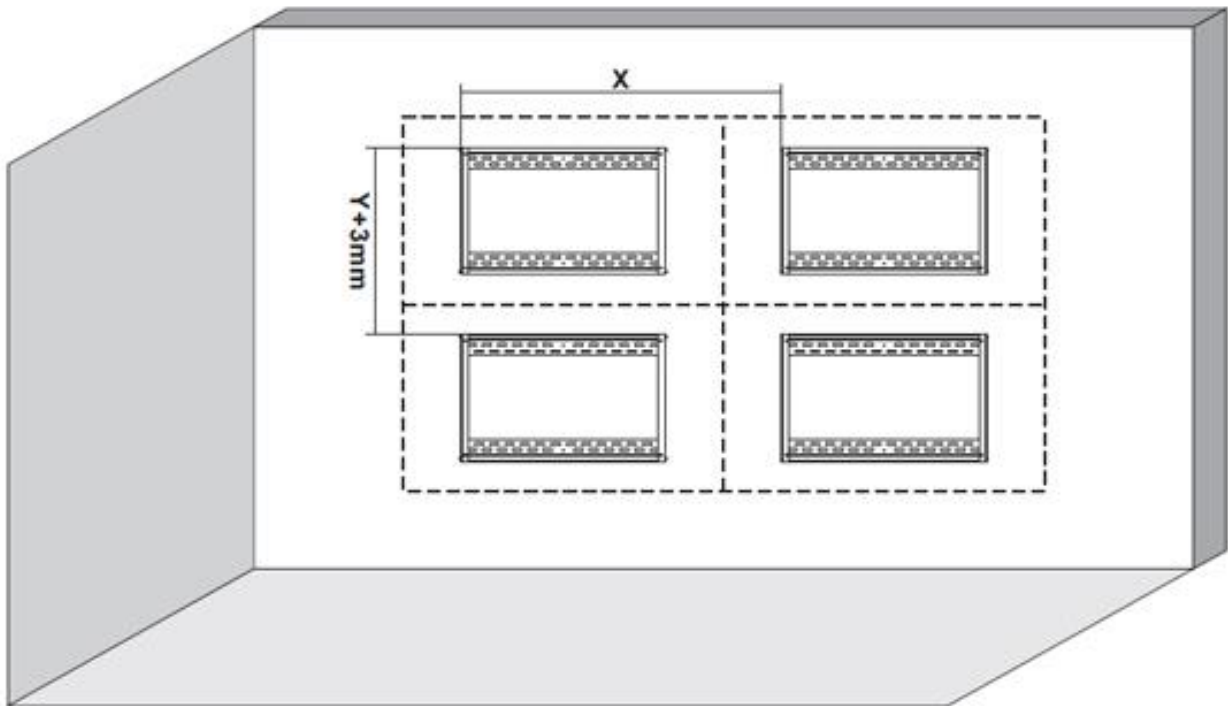
| | | |
|--|--|---|
| | | |
| | <p>Mark the exact location of mounting holes</p> | <p>Drill pilot holes</p> |
| | | |
| | | <p>Screw the wall plate onto the wall</p> |

| W-A | W-B | W-C |
|---|--|---|
|  |  |  |
|  |  |  |

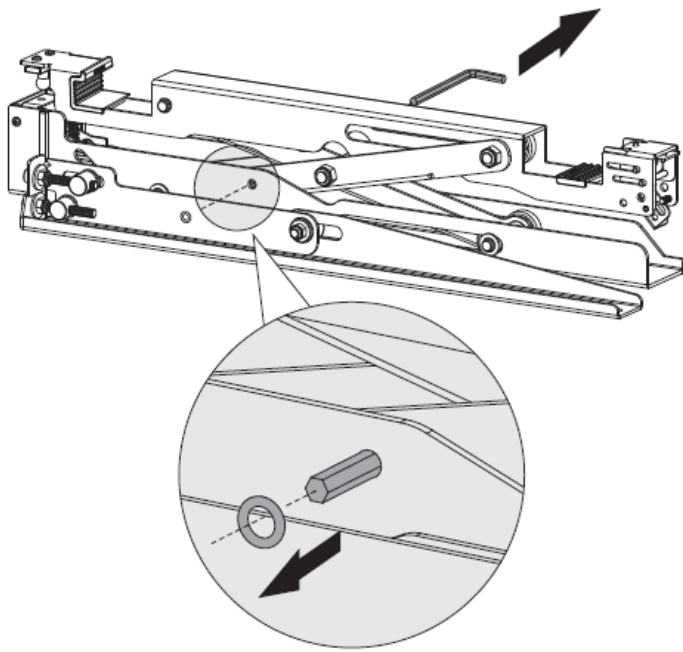
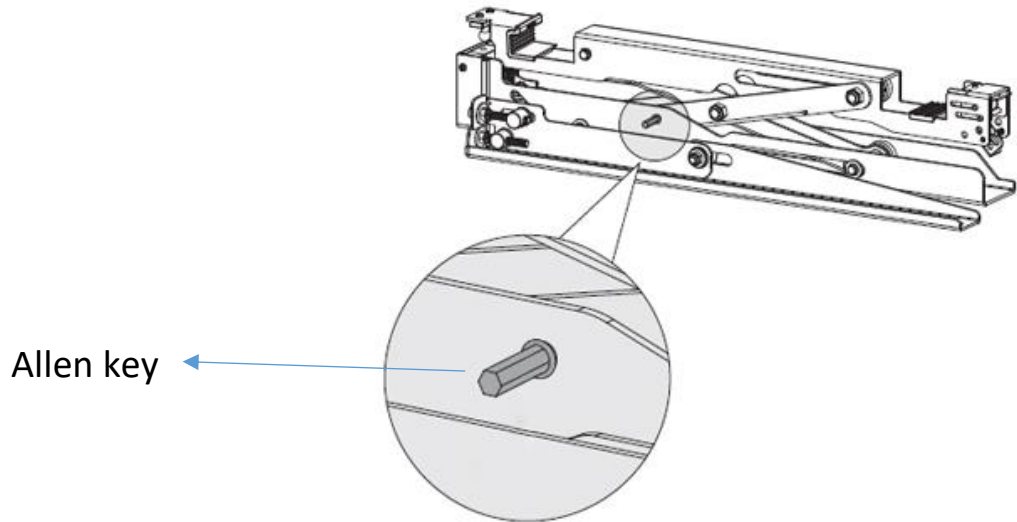
WARNING

Installers must verify that the supporting surface will safely support the combined weight of the equipment and all attached hardware and components.

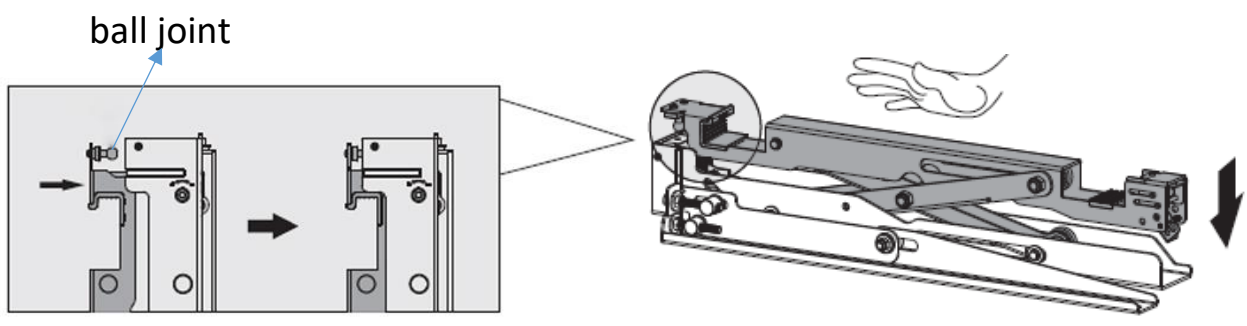
X=Length of display
 Y=Height of display



5. Installing the Pop-out Adapter Brackets



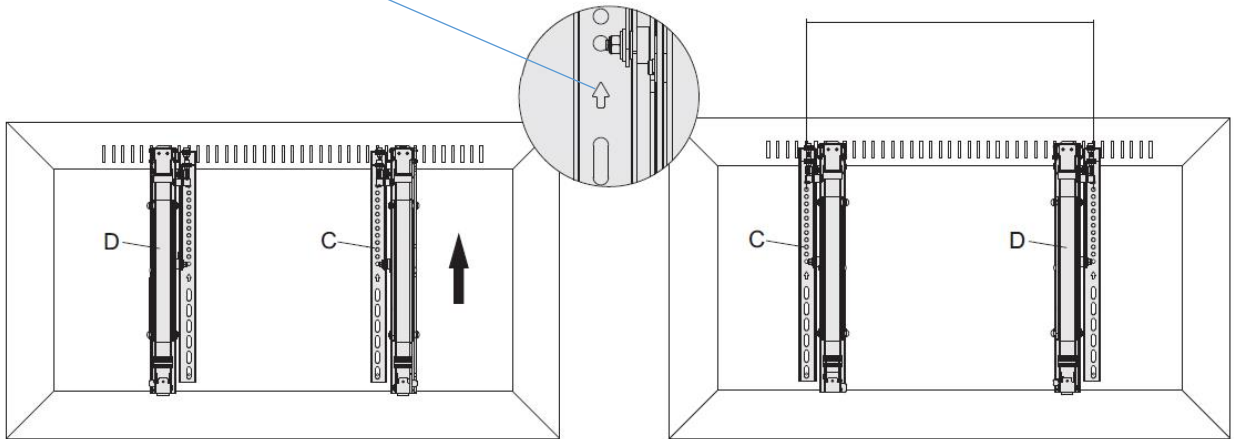
Remove the Allen key from the pop-out adapter brackets.



Push the pop-out arm until the ball joint snaps into place.

Note: With the arrow pointing up

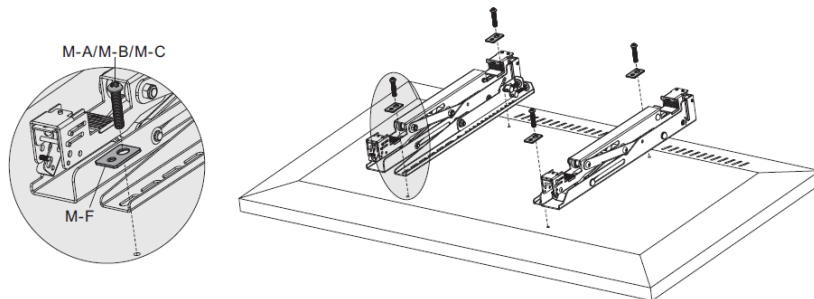
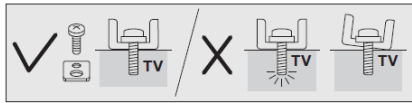
VESA 600x400



Top of the display

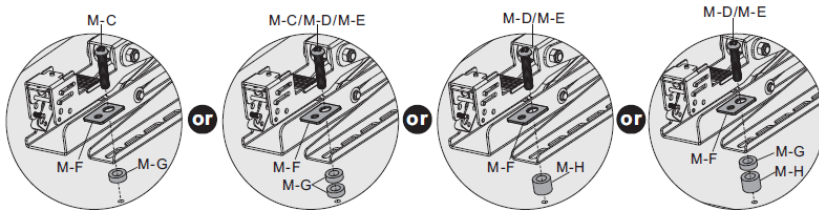
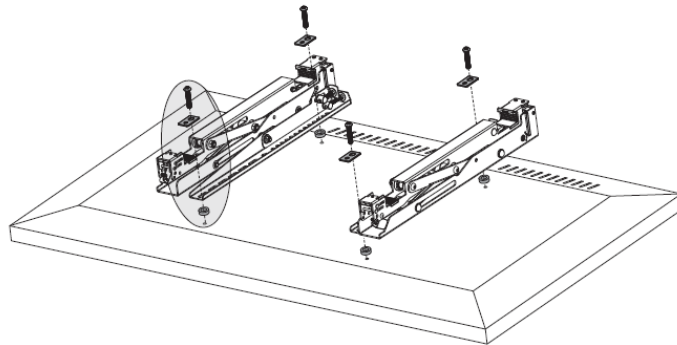
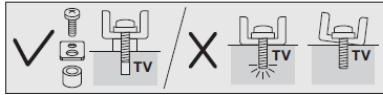
For **VESA 600x400**, the positions of “D” and “C” are exchanged.

5-1 for Flat Back Screens



| | | | |
|-----|--|-----|--|
| M-A | | M-B | |
| | | | |
| M-C | | M-D | |
| | | | |

5-2. For Bump-out or Recessed Back Screens



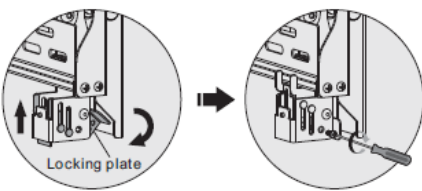
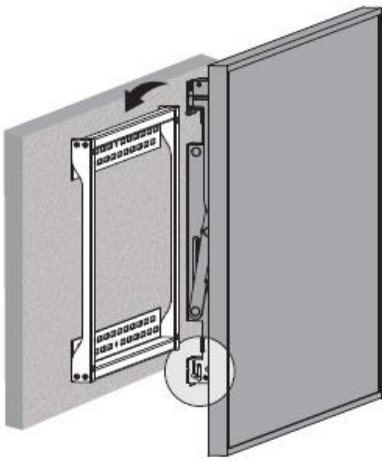



| | | | |
|-----|--|-----|--|
| M-C | | M-D | |
| | | | |
| M-E | | M-F | |
| | | | |
| M-G | | M-H | |
| | | | |

Note: Choose the appropriate screws, washers and spacers (if necessary) according to the type of screen.

- Position the adapter brackets as close as possible to the center of the display.
- Screw the adapter brackets onto the display.

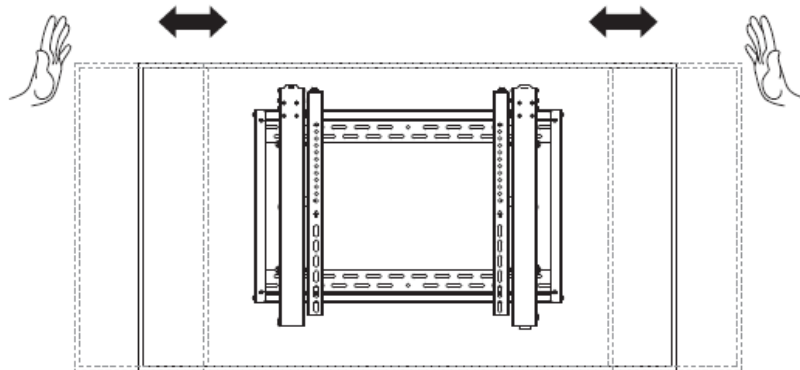
Tighten all screws but do not over tighten.

6. Hooking the Display onto the Wall Plate

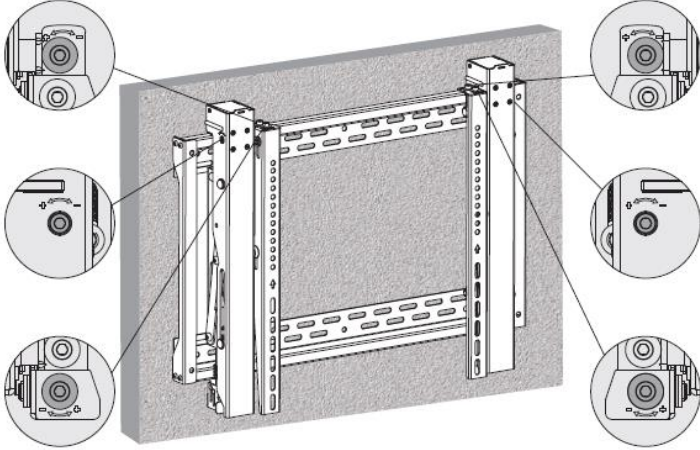
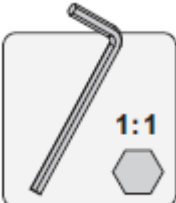
| | | |
|--|--|---|
|  <p>Locking plate</p> |  |    |
| <p>Turn the locking plates downward to fasten the wall plate and tighten the screws to secure.</p> | <p>Use a padlock to prevent the display from being stolen (The padlock is not included).</p> | |

7. Adjustment

Push the display to left or right to enable fast alignment.

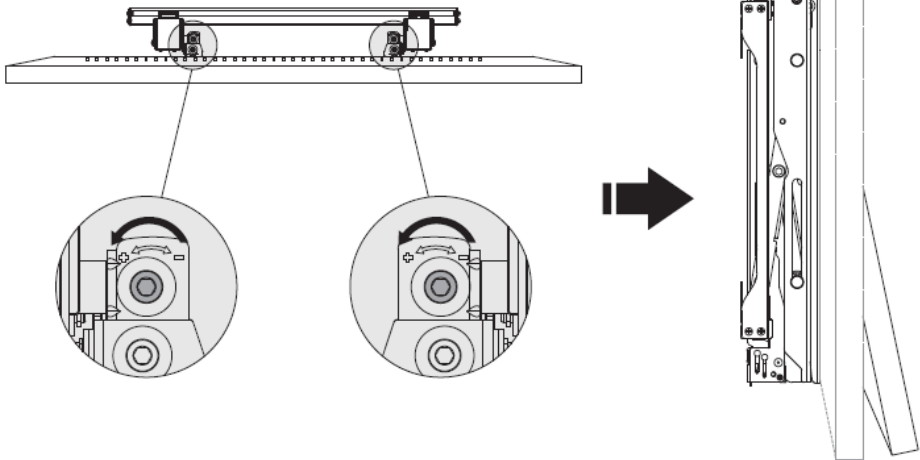


Micro Adjustment

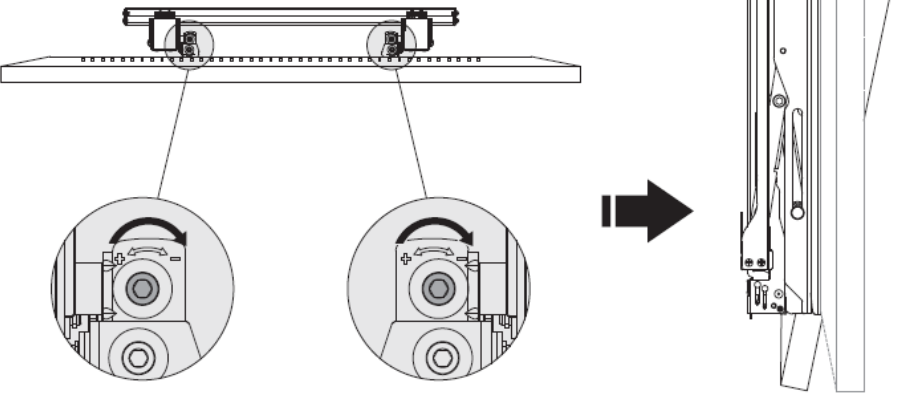
| | | |
|---|---|---|
|  | <p>For tilt adjustment.</p> |  |
| | <p>For micro-adjustment of in and out.</p> | |
| | <p>For micro-adjustment of up and down.</p> | |

Tilt adjustment

1

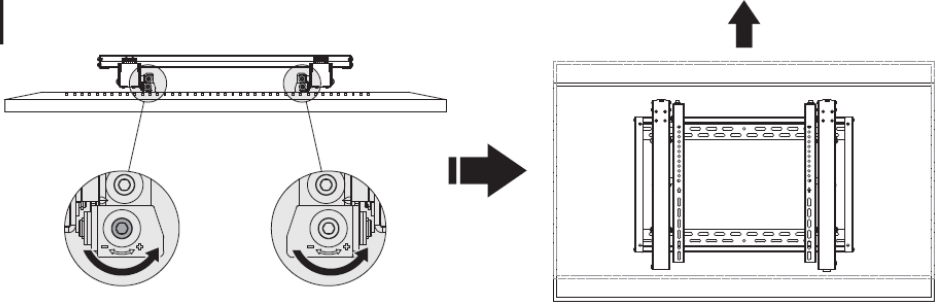


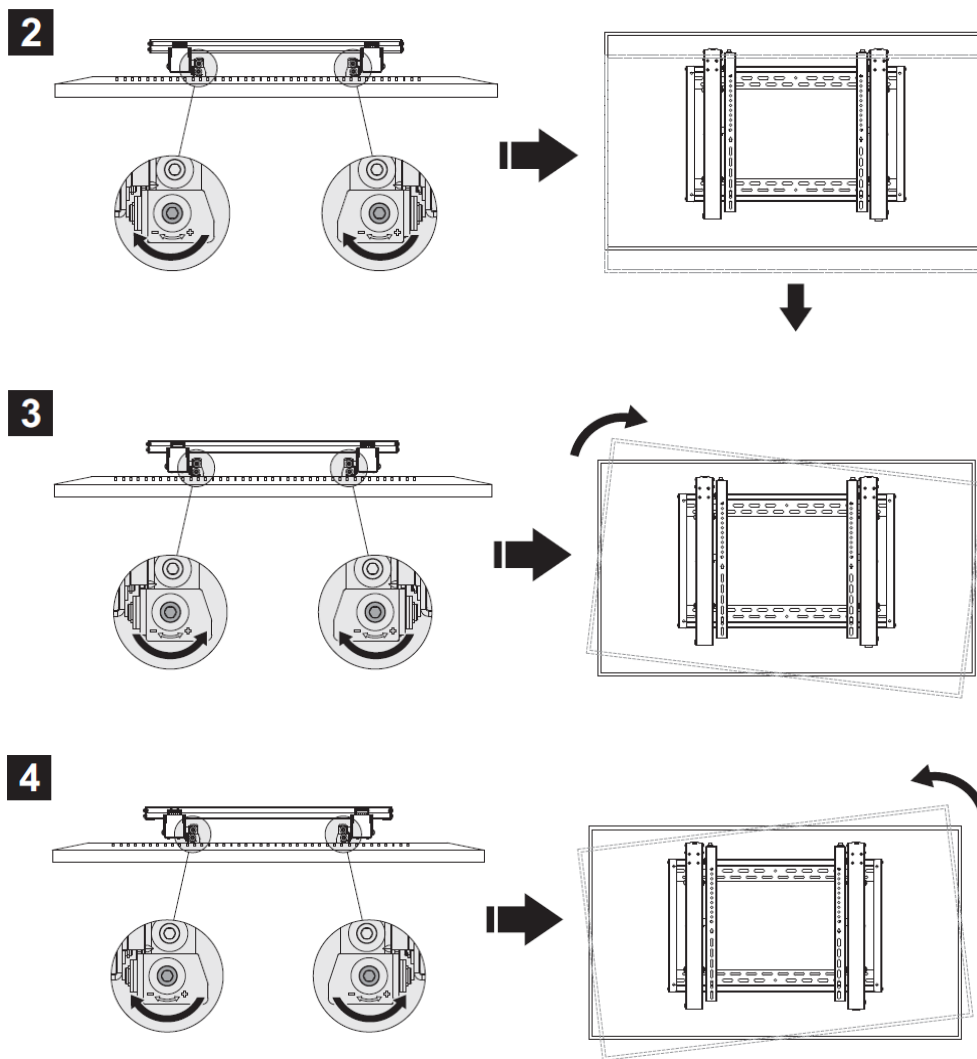
2



Height adjustment

1

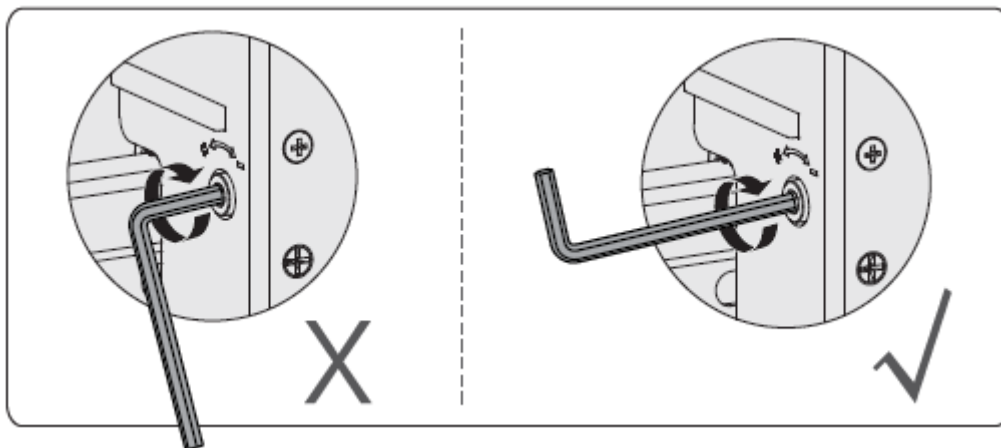


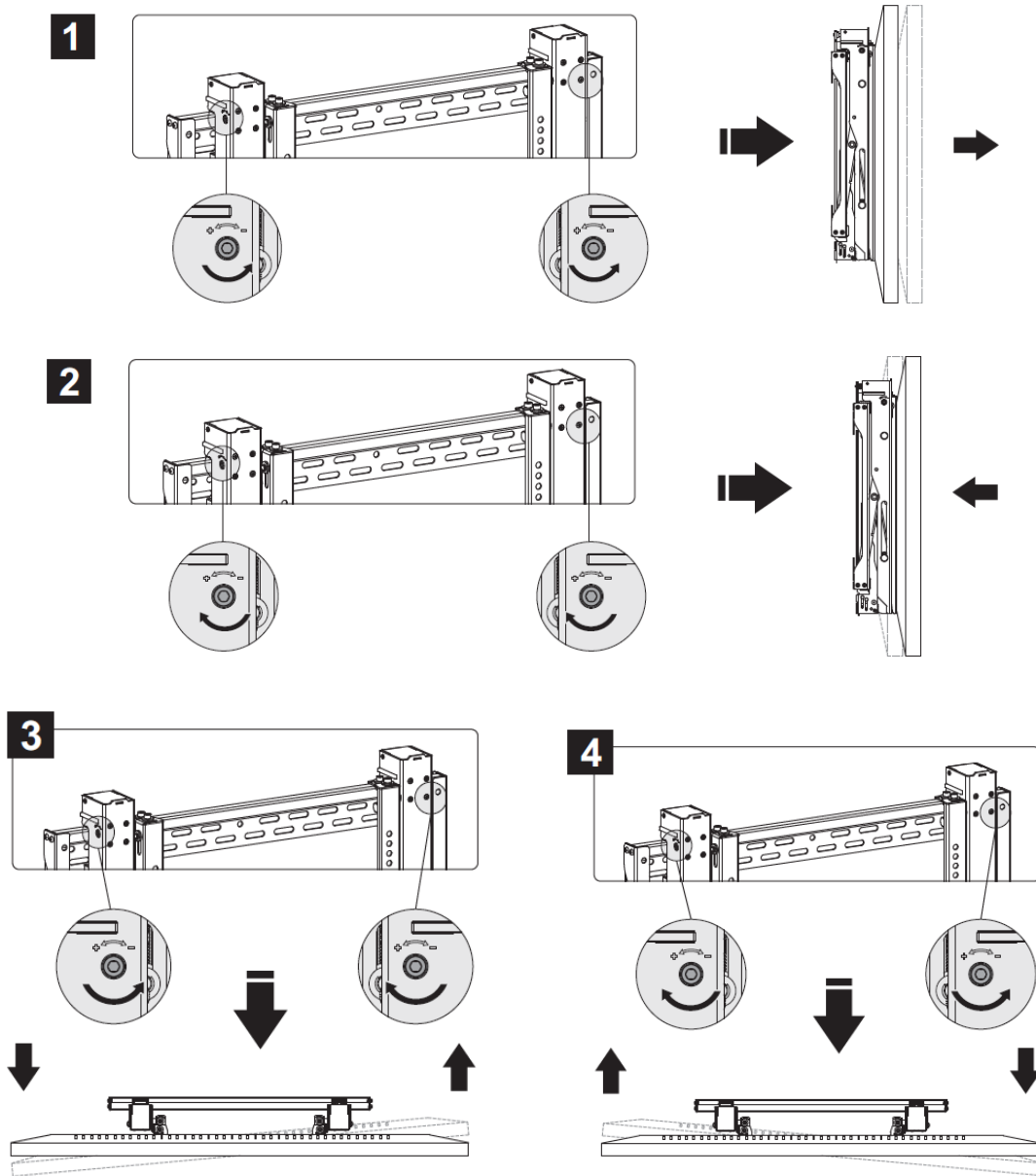


Depth adjustment

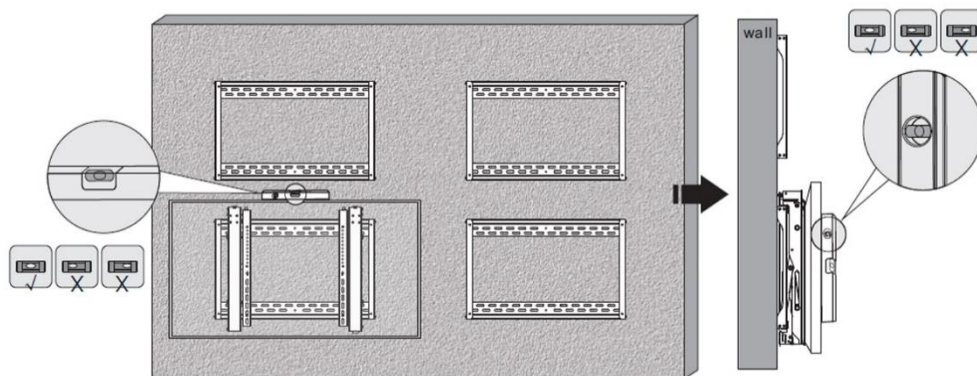
Note:

- Don't use the short end of Allen key to tighten the adjustment screw.
- Use the long end of Allen key to tighten the adjustment screw.
-

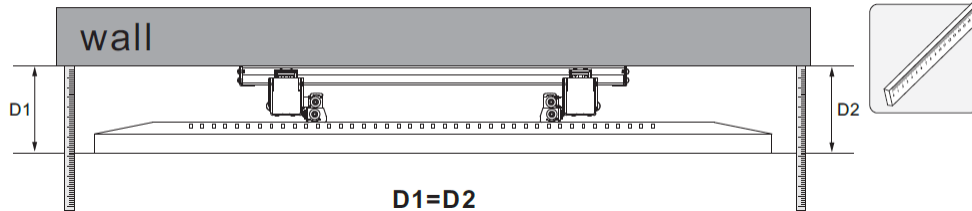
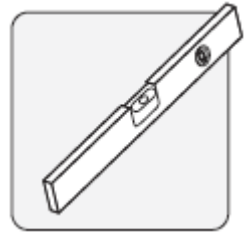




8. Level the Displays



Adjust the display to keep level in vertical and horizontal directions.



| | |
|--|--|
| | <p>Note: Use the plastic locking piece to measure and keep a 1.2 mm gap between displays.</p> |
| | <p>Note: Install/adjust the displays by the numerical order given.</p> |

www.assmann.com
 ASSMANN Electronic GmbH
 Auf dem Schüffel 3
 58513 Lüdenscheid
 Germany

