

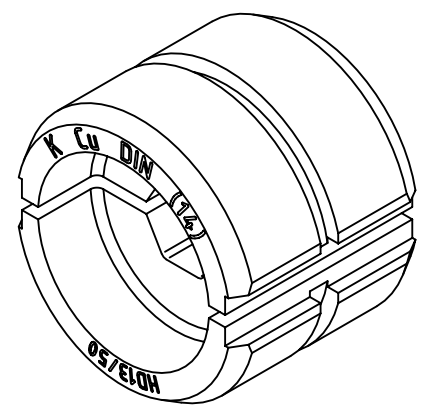
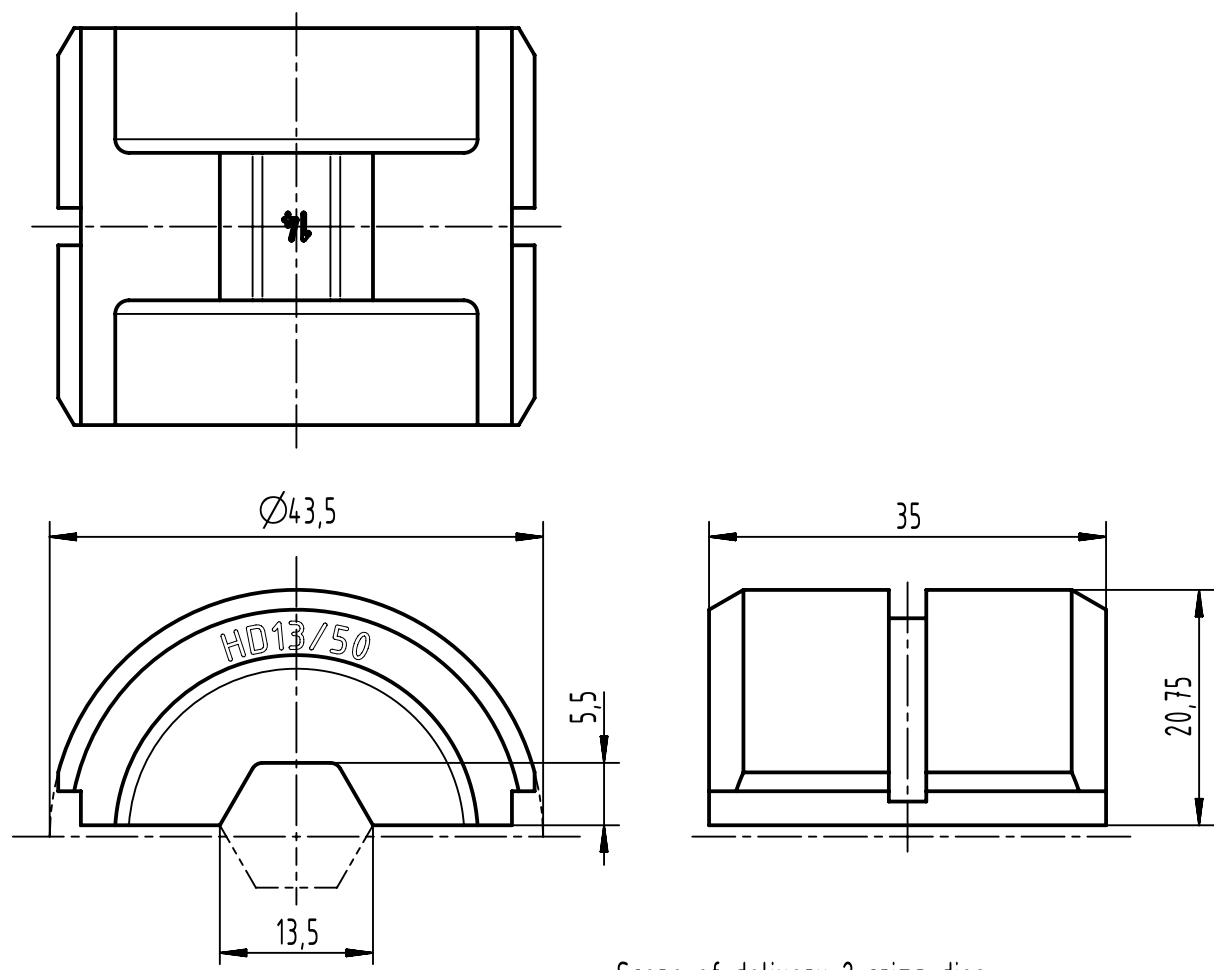
1 2 3 4 5 6

A

B

C

D



Scope of delivery 2 crimp dies

| | | | | | | | |
|------------------------------|--|------------|--|-----------------------|----------------------------|--------------------|--|
| | All Dimensions in mm Original Size DIN A4 | | Scale 1.5:1 | Free size tol. | | Ref. | |
| | | | | | | Sub. | |
| | All rights reserved | | Created by HOLLERT | Inspected by RIEPE | Standardisation RUETERA | Date 2021-01-08 | State Final Release |
| | Department EL PD | | Title Crimp die 50mm ² for 120 kN tool | | | | Doc-Key / ECM-Nr. 100587219/UGD/002/C 500000186965 |
| HARTING D-32339 Espelkamp | | Type TB | Number 09 99 000 0866 | | | Rev. C | Page 1/1 |