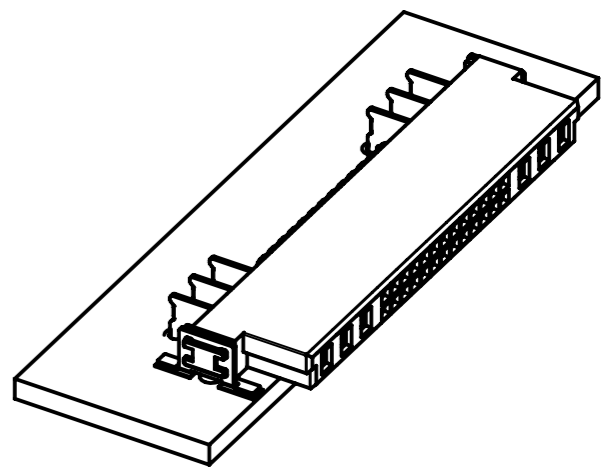


Power poles P=	Signal poles S=	Part number	A	B	C	D	E	F
2	8	1585 208 X701 XXX	8,89	14,58	16,51	13,18	12,18	3,81
4	16	1585 416 X701 XXX	19,05	24,74	26,67	23,34	22,34	8,89
6	26	1585 626 X701 XXX	30,48	36,17	38,1	34,77	33,77	15,24
8	36	1585 836 X601 XXX	41,91	47,6	49,53	46,2	45,2	21,59

Packaging	
tape & reel with 400 pcs per reel	000
samples	333

Performance level	
PL1 : > 500 mating cycles	2



Further technical information see data sheet

	All rights reserved	Created by SHENGJ	Inspected by WANGSTE	Standardisation 302077	Date 2020-10-30	State Final Release
	Department EL PD	Title har-flex angled hybrid female THR connector		Doc-Key / ECM-Nr. 100789162/UGD/001/B 500000182415		
HARTING Electronics GmbH D-32339 Espelkamp		Type TB	Number 1585XXXX701XXX		Rev. B	Page 1/2

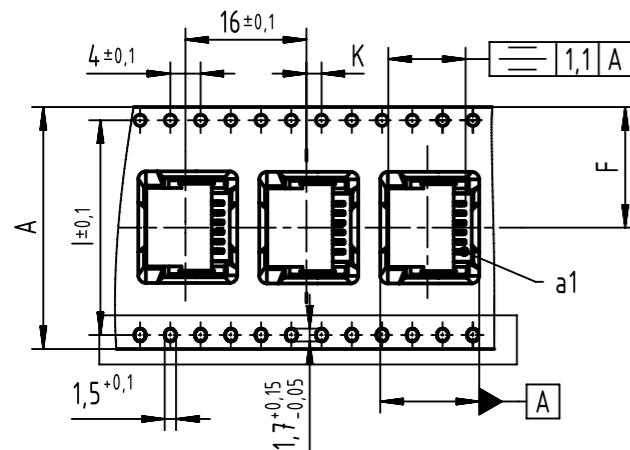


# har-flex angled hybrid power female connector

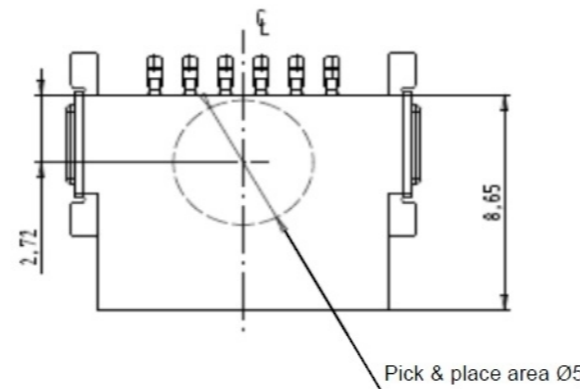


## TAPE LAYOUT & PACKAGING

Tape acc. to IEC 60286-3

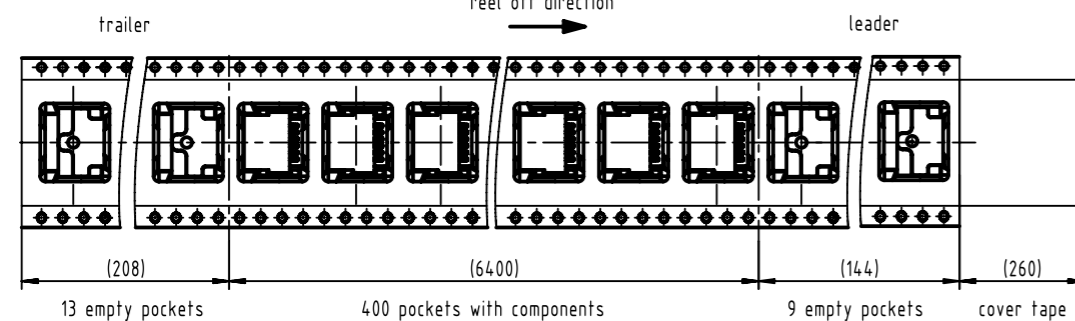
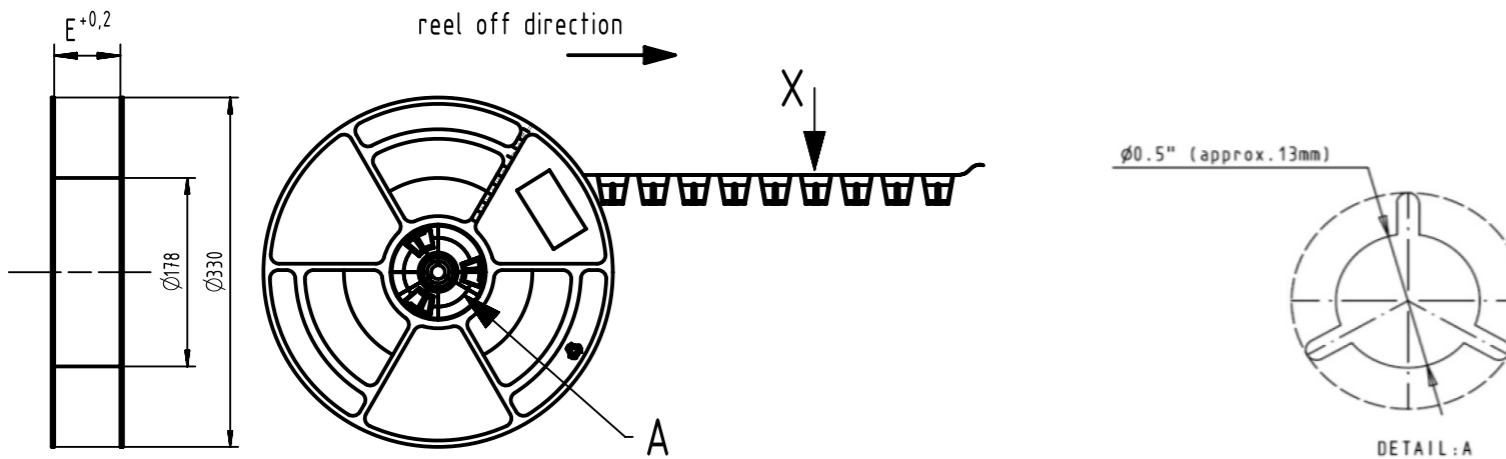


Tape dimensions:	A	F	I	K
Poles 2P+8S	32,0±0,3	14,2±0,1	28,4	2±0,1
Poles 4P+16S	44,0±0,3	20,2±0,1	40,4	2±0,1
Poles 6P+26S	56,0±0,3	26,2±0,1	52,4	2±0,15
Poles 8P+36S	72,0±0,3	34,2±0,1	68,4	2±0,15



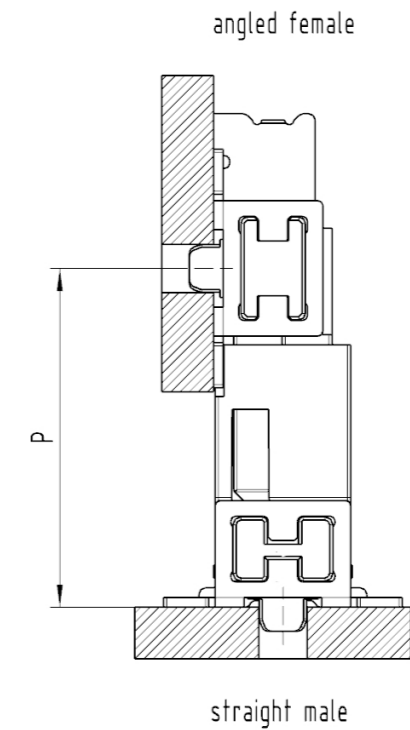
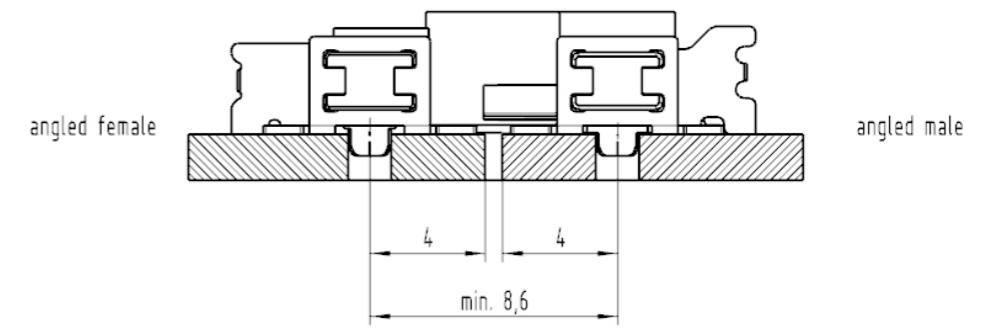
Packaging indices ("XXX" in part number)		
Index	Packaging unit	Packaging
000	400	Tape & reel
333	1	Tape

## REEL DIMENSIONS

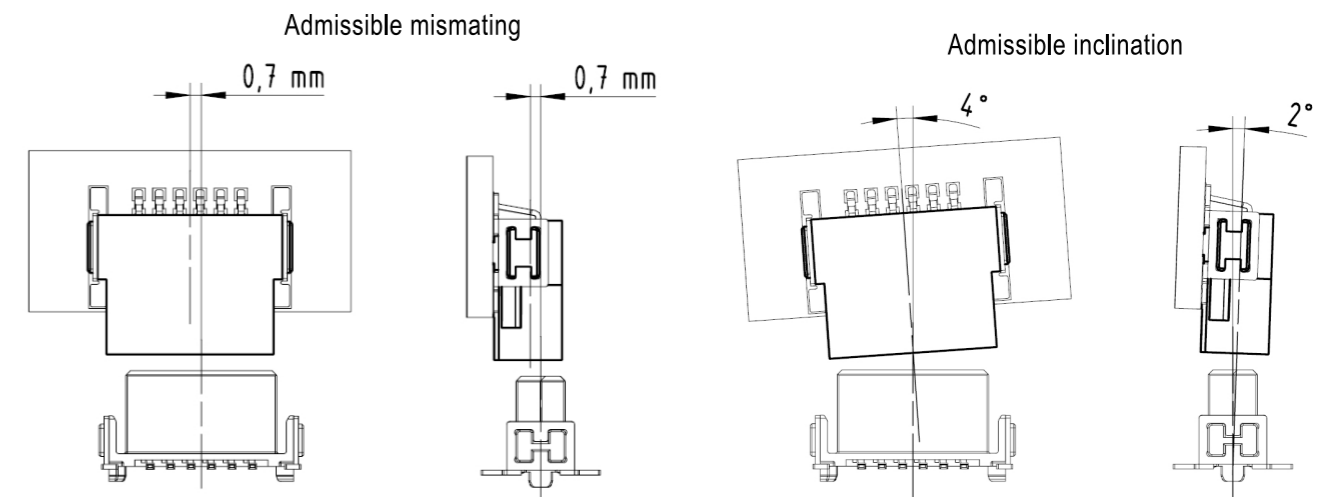


Reel dimensions:	E
Poles 2P+8S	32,4
Poles 4P+16S	44,4
Poles 6P+26S	56,4
Poles 8P+36S	72,4

## APPLICATION INFORMATION



3,25	10,5
X	P min.



	All Dimensions in mm Original Size DIN A3	Scale 1:1	Free size tol.	Ref.	
	All rights reserved Department EL PD	Created by SHENGJ	Inspected by WANGSTE	Standardisation 302077	Date 2020-10-30
HARTING Electronics GmbH D-32339 Espelkamp		Title har-flex angled hybrid female THR connector		State Final Release	
		Type TB	Number 1585XXXX701XXX	Doc-Key / ECM-Nr. 100789162/UGD/001/B 500000182415	Page 2/2