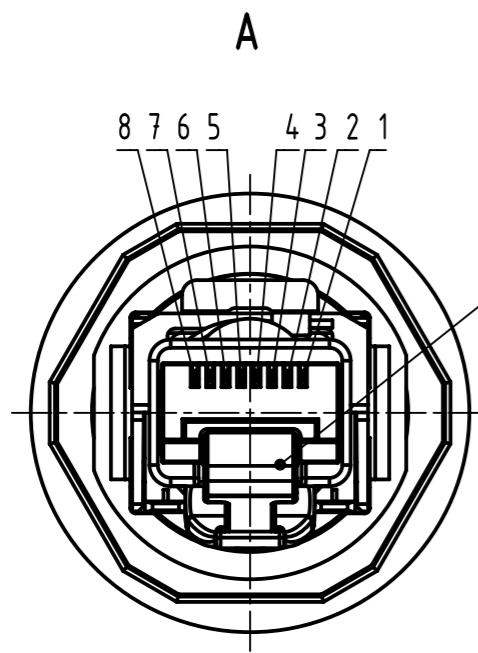
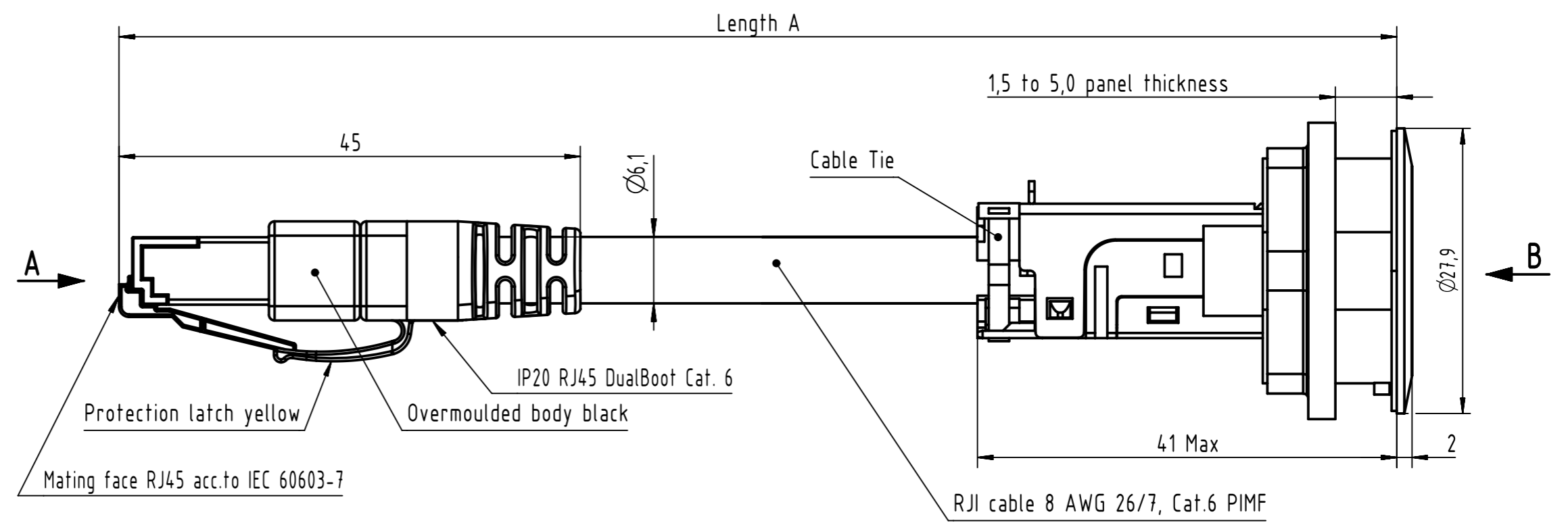
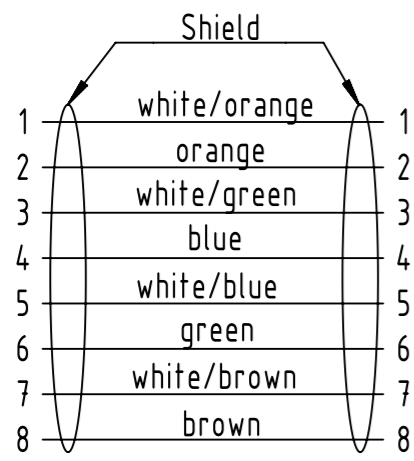
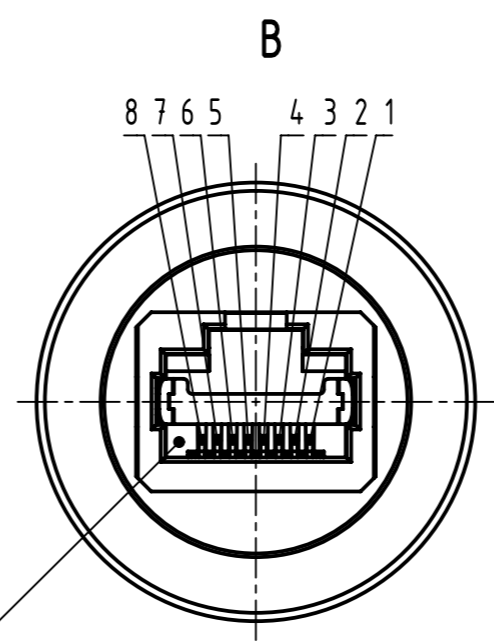


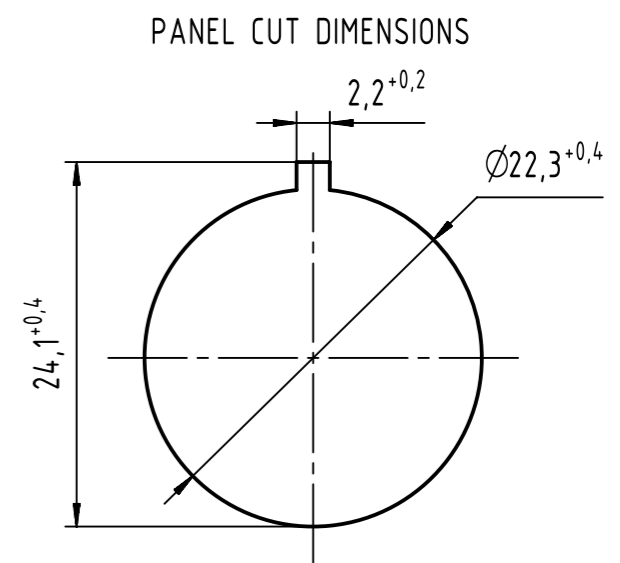
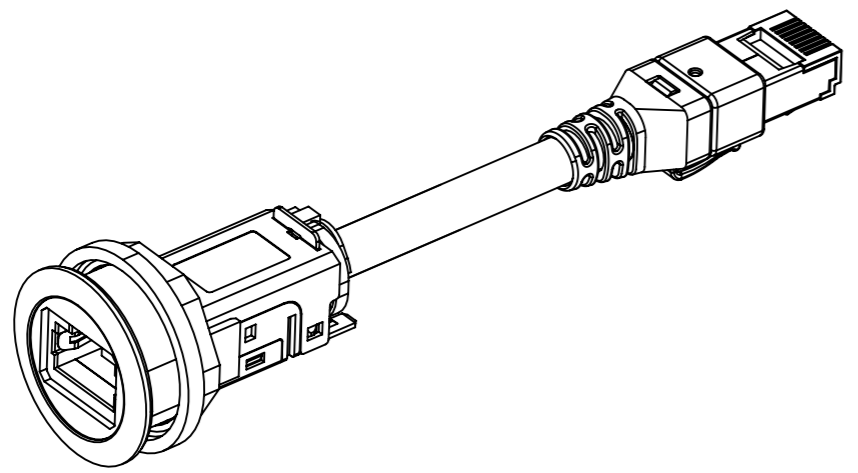
Loading-Plan
acc. to TIA/EIA 568B



Mating face RJ45 Plug
according to IEC 60603-7




Mating face RJ45 Jack
according to IEC 60603-7



| | | | | | | | | | | | | | |
|---------------------------|---------------------|---------|--|--------------------|---|--|------------------------|--|-----------------|--|---------------------|--|--|
| | All rights reserved | | Created by PREOTU | | Inspected by PRIESTER | | Standardisation 302077 | | Date 2021-04-23 | | State Final Release | | |
| | Department EL PD | | Title har-port RJ45 coupler Cat.6 AWG 26/7 | | Doc-Key / ECM-Nr. 10022229/UGD/002/K 500000193855 | | Rev. K | | Page 1/2 | | | | |
| HARTING D-32339 Espelkamp | | Type TB | | Number 094545215XX | | | | | | | | | |

| Line No. | Part number | Type of cable | Length A (m) |
|----------|----------------|--|--------------------|
| 1 | 09 45 452 1500 | har-port RJ45 IP20 coupler Cat.6 PFT cable jack silver | 0,15 (-0,00/+0,07) |
| 2 | 09 45 452 1501 | har-port RJ45 IP20 coupler Cat.6 PFT cable jack silver | 0,20 (-0,00/+0,07) |
| 3 | 09 45 452 1502 | har-port RJ45 IP20 coupler Cat.6 PFT cable jack silver | 0,30 (-0,00/+0,07) |
| 4 | 09 45 452 1503 | har-port RJ45 IP20 coupler Cat.6 PFT cable jack silver | 0,40 (-0,00/+0,07) |
| 5 | 09 45 452 1504 | har-port RJ45 IP20 coupler Cat.6 PFT cable jack silver | 0,50 (-0,00/+0,07) |
| 6 | 09 45 452 1505 | har-port RJ45 IP20 coupler Cat.6 PFT cable jack silver | 0,60 (-0,00/+0,07) |
| 7 | 09 45 452 1506 | har-port RJ45 IP20 coupler Cat.6 PFT cable jack silver | 0,70 (-0,00/+0,07) |
| 8 | 09 45 452 1507 | har-port RJ45 IP20 coupler Cat.6 PFT cable jack silver | 0,80 (-0,00/+0,07) |
| 9 | 09 45 452 1508 | har-port RJ45 IP20 coupler Cat.6 PFT cable jack silver | 0,90 (-0,00/+0,07) |
| 10 | 09 45 452 1509 | har-port RJ45 IP20 coupler Cat.6 PFT cable jack silver | 1,0 (-0,00/+0,07) |
| 11 | 09 45 452 1510 | har-port RJ45 IP20 coupler Cat.6 PFT cable jack silver | 1,5 (-0,00/+0,07) |
| 12 | 09 45 452 1511 | har-port RJ45 IP20 coupler Cat.6 PFT cable jack silver | 2,0 (-0,00/+0,07) |
| 13 | 09 45 452 1512 | har-port RJ45 IP20 coupler Cat.6 PFT cable jack silver | 2,5 (-0,00/+0,07) |
| 14 | 09 45 452 1513 | har-port RJ45 IP20 coupler Cat.6 PFT cable jack silver | 3,0 (-0,00/+0,07) |
| 15 | 09 45 452 1514 | har-port RJ45 IP20 coupler Cat.6 PFT cable jack silver | 3,5 (-0,00/+0,07) |
| 16 | 09 45 452 1515 | har-port RJ45 IP20 coupler Cat.6 PFT cable jack silver | 4,0 (-0,00/+0,07) |
| 17 | 09 45 452 1516 | har-port RJ45 IP20 coupler Cat.6 PFT cable jack silver | 5,0 (-0,00/+0,07) |
| 18 | 09 45 452 1517 | har-port RJ45 IP20 coupler Cat.6 PFT cable jack silver | 7,5 (+/-0,08) |
| 19 | 09 45 452 1518 | har-port RJ45 IP20 coupler Cat.6 PFT cable jack silver | 10,0(+/-0,1) |
| 20 | 09 45 452 1519 | har-port RJ45 IP20 coupler Cat.6 PFT cable jack silver | 4,5 (-0,00/+0,07) |
| 21 | 09 45 452 1520 | har-port RJ45 IP20 coupler Cat.6 PFT cable jack silver | 6,0 (+/-0,06) |
| 22 | 09 45 452 1530 | har-port RJ45 IP20 coupler Cat.6 PFT cable jack black | 0,15 (-0,00/+0,07) |
| 23 | 09 45 452 1531 | har-port RJ45 IP20 coupler Cat.6 PFT cable jack black | 0,20 (-0,00/+0,07) |
| 24 | 09 45 452 1532 | har-port RJ45 IP20 coupler Cat.6 PFT cable jack black | 0,30 (-0,00/+0,07) |
| 25 | 09 45 452 1533 | har-port RJ45 IP20 coupler Cat.6 PFT cable jack black | 0,40 (-0,00/+0,07) |
| 26 | 09 45 452 1534 | har-port RJ45 IP20 coupler Cat.6 PFT cable jack black | 0,50 (-0,00/+0,07) |
| 27 | 09 45 452 1535 | har-port RJ45 IP20 coupler Cat.6 PFT cable jack black | 0,60 (-0,00/+0,07) |
| 28 | 09 45 452 1536 | har-port RJ45 IP20 coupler Cat.6 PFT cable jack black | 0,70 (-0,00/+0,07) |
| 29 | 09 45 452 1537 | har-port RJ45 IP20 coupler Cat.6 PFT cable jack black | 0,80 (-0,00/+0,07) |
| 30 | 09 45 452 1538 | har-port RJ45 IP20 coupler Cat.6 PFT cable jack black | 0,90 (-0,00/+0,07) |
| 31 | 09 45 452 1539 | har-port RJ45 IP20 coupler Cat.6 PFT cable jack black | 1,0 (-0,00/+0,07) |
| 32 | 09 45 452 1540 | har-port RJ45 IP20 coupler Cat.6 PFT cable jack black | 1,5 (-0,00/+0,07) |
| 33 | 09 45 452 1541 | har-port RJ45 IP20 coupler Cat.6 PFT cable jack black | 2,0 (-0,00/+0,07) |
| 34 | 09 45 452 1542 | har-port RJ45 IP20 coupler Cat.6 PFT cable jack black | 2,5 (-0,00/+0,07) |
| 35 | 09 45 452 1543 | har-port RJ45 IP20 coupler Cat.6 PFT cable jack black | 3,0 (-0,00/+0,07) |
| 36 | 09 45 452 1544 | har-port RJ45 IP20 coupler Cat.6 PFT cable jack black | 3,5 (-0,00/+0,07) |
| 37 | 09 45 452 1545 | har-port RJ45 IP20 coupler Cat.6 PFT cable jack black | 4,0 (-0,00/+0,07) |
| 38 | 09 45 452 1546 | har-port RJ45 IP20 coupler Cat.6 PFT cable jack black | 5,0 (-0,00/+0,07) |
| 39 | 09 45 452 1547 | har-port RJ45 IP20 coupler Cat.6 PFT cable jack black | 7,5 (+/-0,08) |
| 40 | 09 45 452 1548 | har-port RJ45 IP20 coupler Cat.6 PFT cable jack black | 10,0(+/-0,1) |

| | | | | |
|---|--|---|--|---------------------------|
|  | All Dimensions in mm Original Size DIN A3 | Scale 1:1 | Free size tol. | Ref. |
| | All rights reserved Department EL PD | Created by PREOTU | Inspected by PRIESTER | Standardisation 302077 |
| HARTING D-32339 Espelkamp | | Title har-port RJ45 coupler Cat.6 AWG 26/7 | | Date 2021-04-23 |
| | | Type TB | Number 094545215XX | State Final Release |
| | | | Doc-Key / ECM-Nr. 10022229/UGD/002/K 50000193855 | Page 2/2 |
| | | | Rev. K | |