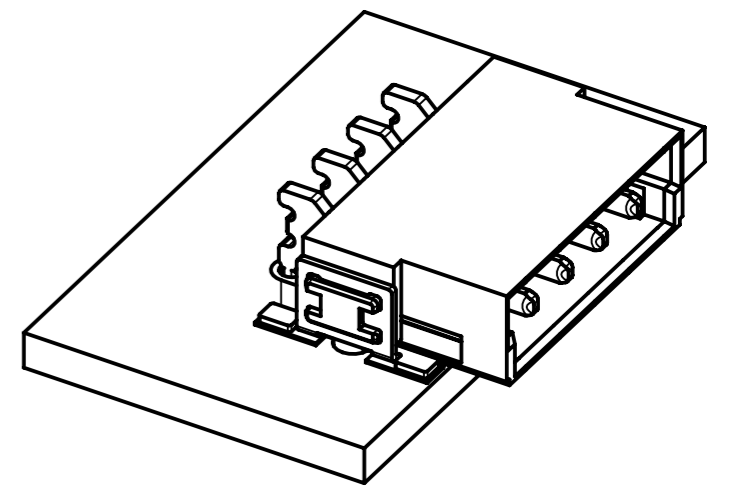


| Poles P= | Part number       | A     | B     | C     | D     | E     |
|----------|-------------------|-------|-------|-------|-------|-------|
| 2        | 1555 002 X701 XXX | 2,54  | 8,23  | 10,16 | 7,07  | 6,07  |
| 3        | 1555 003 X701 XXX | 5,08  | 10,77 | 12,7  | 9,61  | 8,61  |
| 4        | 1555 004 X701 XXX | 7,62  | 13,31 | 15,24 | 12,15 | 11,15 |
| 5        | 1555 005 X701 XXX | 10,16 | 15,85 | 17,78 | 14,69 | 13,69 |
| 6        | 1555 006 X701 XXX | 12,7  | 18,39 | 20,32 | 17,23 | 16,23 |
| 12       | 1555 012 X701 XXX | 27,94 | 33,63 | 35,56 | 32,47 | 31,47 |

| Packaging                         |     |
|-----------------------------------|-----|
| tape & reel with 400 pcs per reel | 000 |
| samples                           | 333 |

| Performance level         |   |
|---------------------------|---|
| PL1 : > 500 mating cycles | 2 |



Further technical information see data sheet

|   |                     |   |                       |                        |  |                     |
|---|---------------------|---|-----------------------|------------------------|--|---------------------|
|   | All rights reserved | Created by SHENGJ                                   | Inspected by WANGSTE  | Standardisation 302077 | Date 2020-10-30                                    | State Final Release |
|   | Department EL PD    | Title har-flex angled pure power male THR connector |                       |                        | Doc-Key / ECM-Nr. 100793397/UGD/001/B 500000182415 |                     |
| HARTING Electronics GmbH<br>D-32339 Espelkamp |                     | Type TB   | Number 15550XXX701XXX |                        | Rev. B   | Page 1/2            |

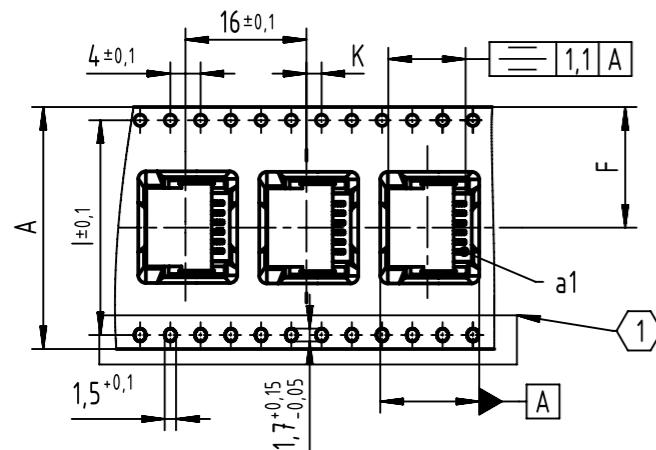


# har-flex angled pure power male connector



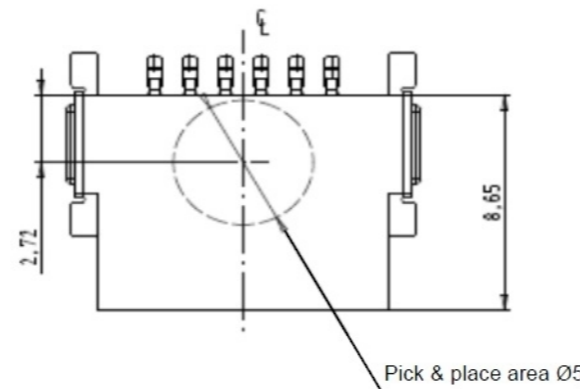
## TAPE LAYOUT & PACKAGING

Tape acc. to IEC 60286-3



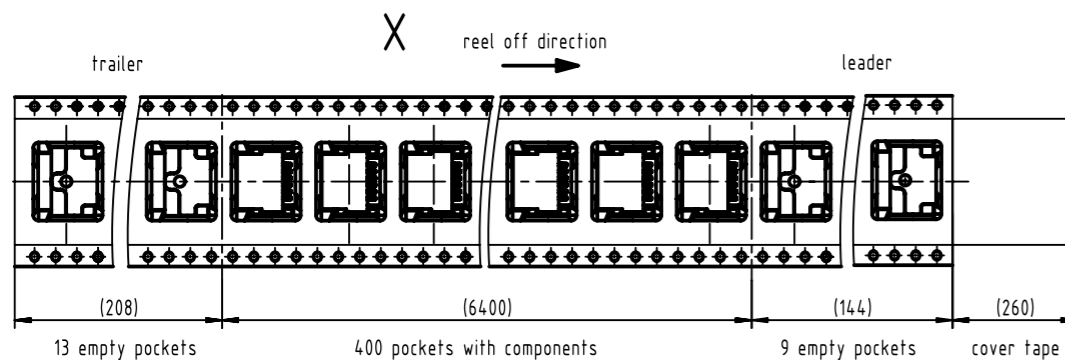
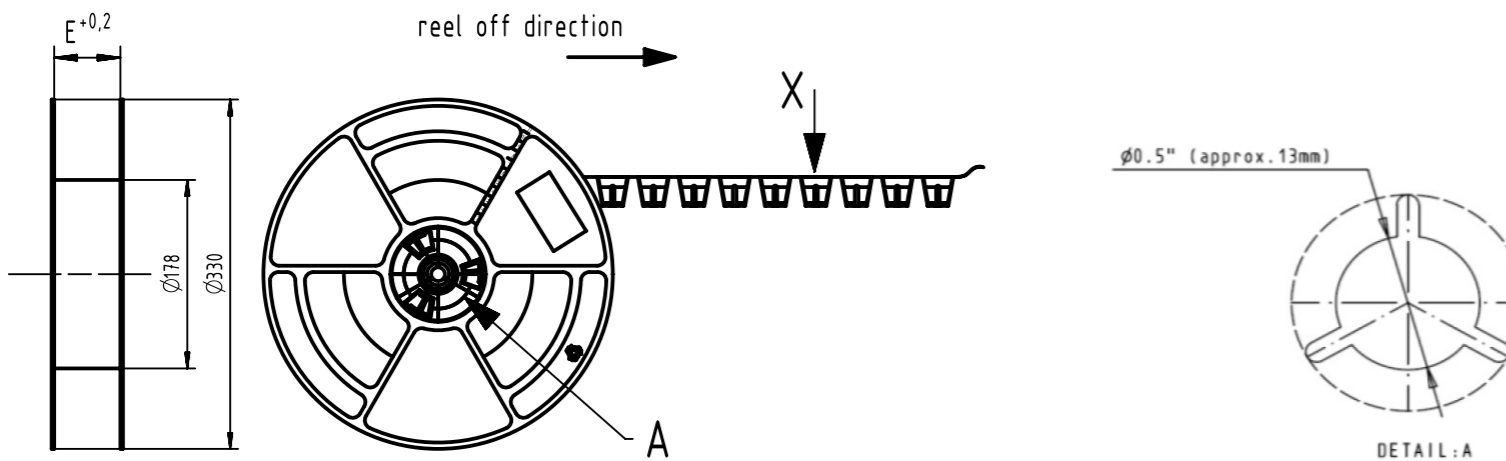
| Tape dimensions: | A                     | F              | I    | K            |
|------------------|-----------------------|----------------|------|--------------|
| Poles 02 to 04   | $24,0 \pm 0,3 / -0,1$ | $11,5 \pm 0,1$ | -    | $2 \pm 0,1$  |
| Poles 05         | $32,0 \pm 0,3$        | $14,2 \pm 0,1$ | 28,4 | $2 \pm 0,1$  |
| Poles 06         | $44,0 \pm 0,3$        | $20,2 \pm 0,1$ | 40,4 | $2 \pm 0,15$ |
| Poles 12         | $56,0 \pm 0,3$        | $26,2 \pm 0,1$ | 52,4 | $2 \pm 0,15$ |

1 NO DOUBLE SPROCKET HOLES FOR 02, 03 AND 04 POLE NUMBERS (TAPE SIZE 24)



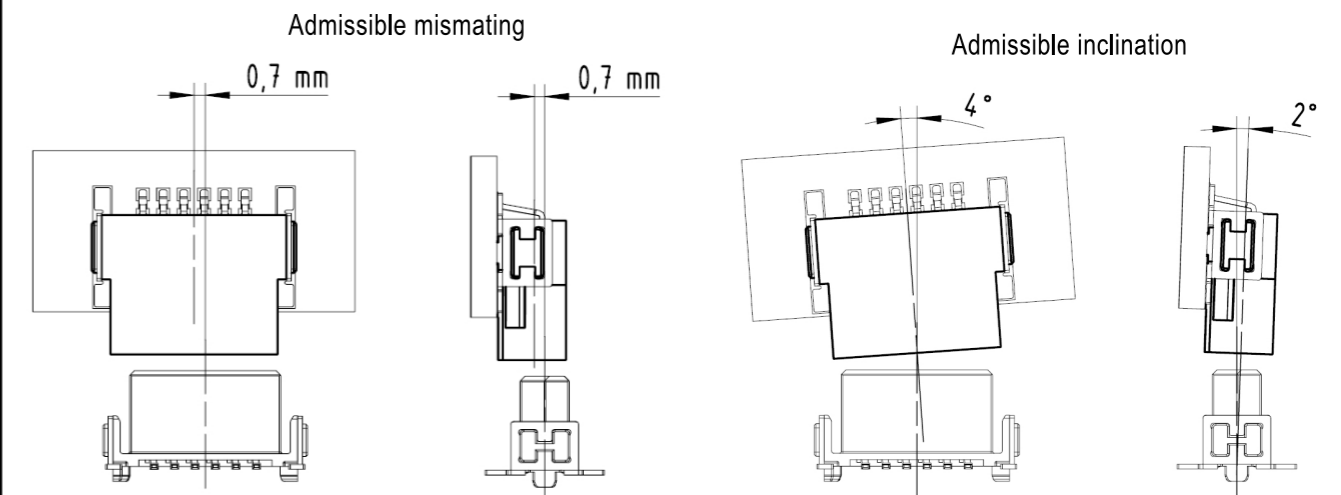
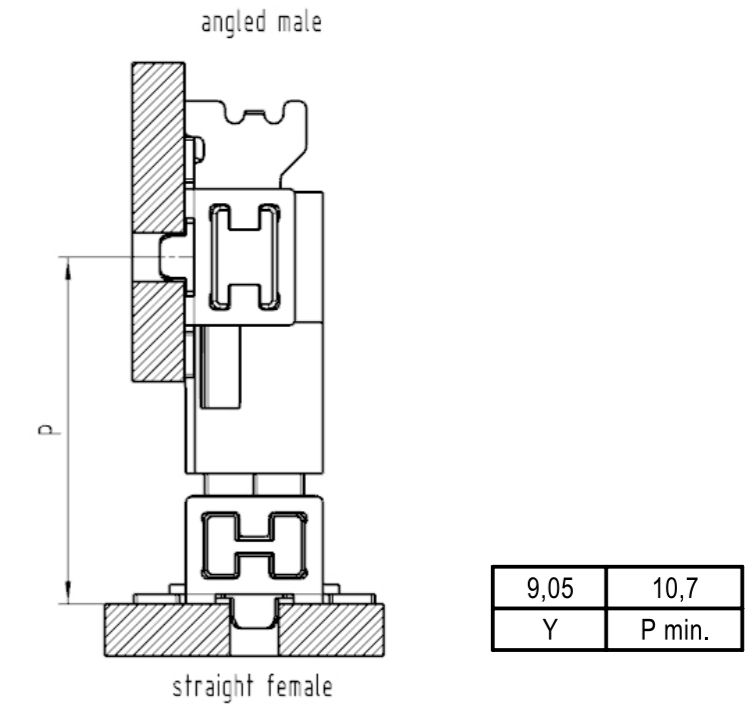
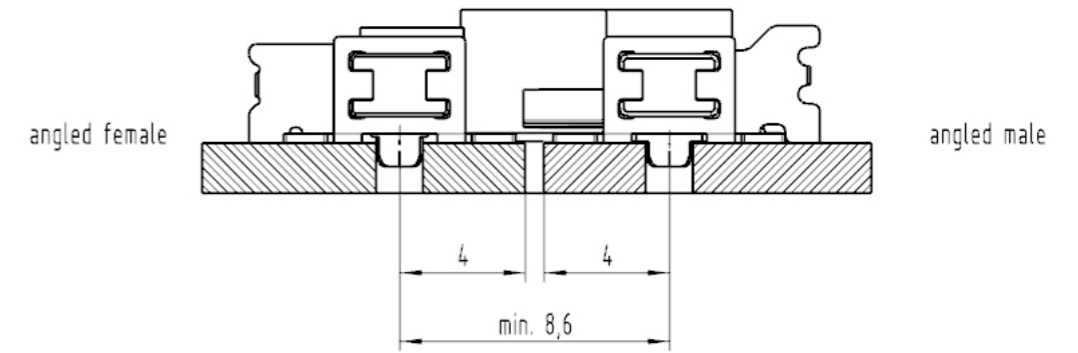
| Packaging indices ("XXX" in part number) |                |             |
|--|----------------|-------------|
| Index                                    | Packaging unit | Packaging   |
| 000                                      | 400            | Tape & reel |
| 333                                      | 1              | Tape        |

## REEL DIMENSIONS



| Reel dimensions: | E    |
|------------------|------|
| Poles 02 to 04   | 24,4 |
| Poles 05         | 32,4 |
| Poles 06         | 44,4 |
| Poles 12         | 56,4 |

## APPLICATION INFORMATION



|   |  |                          |                         |  |
|---|--|--------------------------|-------------------------|--|
|   | All Dimensions in mm<br>Original Size DIN A3           | Scale<br>1:1             | Free size tol.          | Ref.<br>Sub.   |
|   | All rights reserved<br>Department EL PD                | Created by<br>SHENGJ     | Inspected by<br>WANGSTE | Standardisation<br>302077                                |
| HARTING Electronics GmbH<br>D-32339 Espelkamp | Title<br>har-flex angled pure power male THR connector |                          |                         | Date<br>2020-10-30                                       |
|   | Type<br>TB   | Number<br>15550XXX701XXX | State<br>Final Release  | Doc-Key / ECM-Nr.<br>100793397/UGD/001/B<br>500000182415 |
|   |  |                          | Rev.<br>B               | Page<br>2/2  |