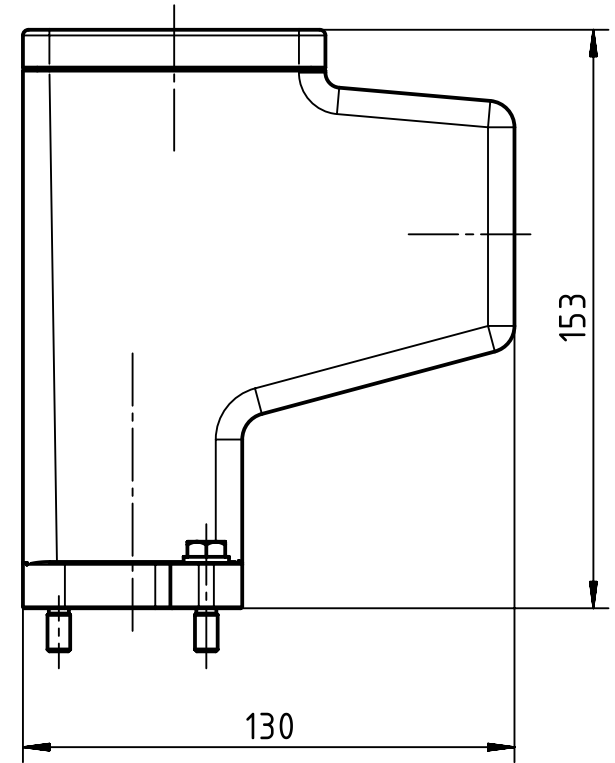
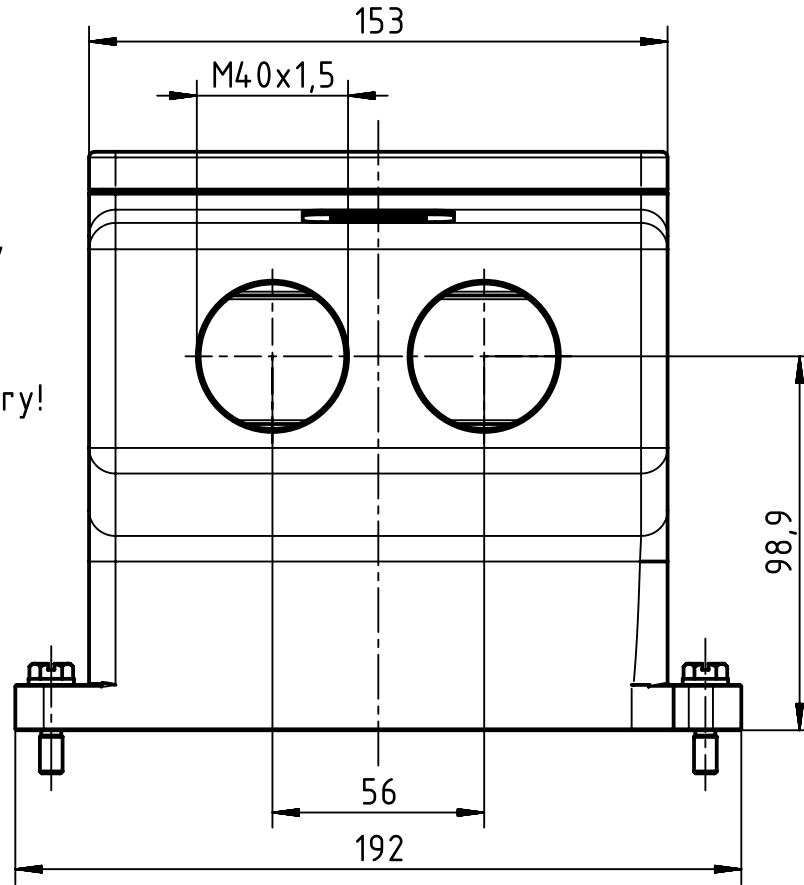
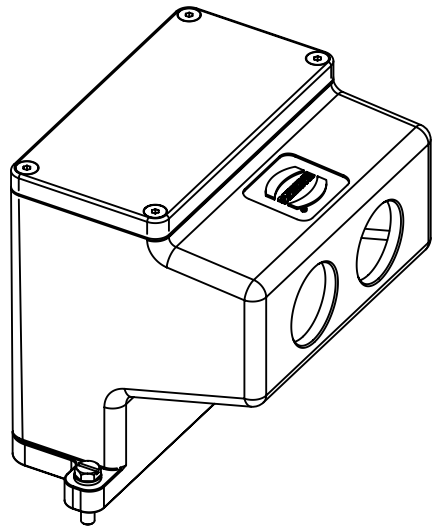



technical characteristics
 acc. to DIN EN 50124-1:
 Rated insulation voltage: 1,0 kV
 Overvoltage category: OV2
 Pollution degree: PD3
 Use of shrinking tubes necessary!
 The clearance and creepage
 distances must be considered
 at the assembly and at the
 selection of terminals!



Cover and countersunk-head screws are enclosed separately

	All rights reserved Department EL PD - DE	All Dimensions in mm Original Size DIN A4		Scale 1:2	Free size tol.	Ref.
		HARTING Electric GmbH & Co. KG D-32339 Espelkamp	Created by HOLLERT	Inspected by SUNDERMEIER	Standardisation TIEMANNA	Date 2013-08-12
Title Han 24HPR-gw2-SV-M40						Doc-Key / ECM-Nr. 100530873/UGD/001/A 500000065222
Type TB				Number 19 40 024 0642		Rev. A
						Page 1/1