

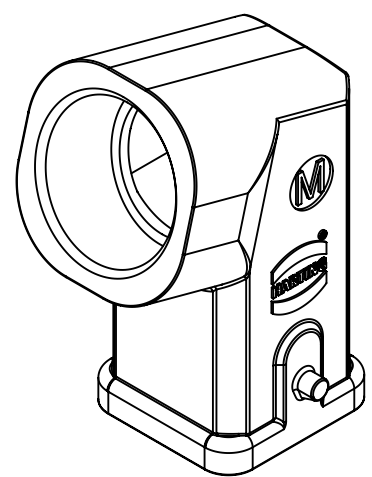
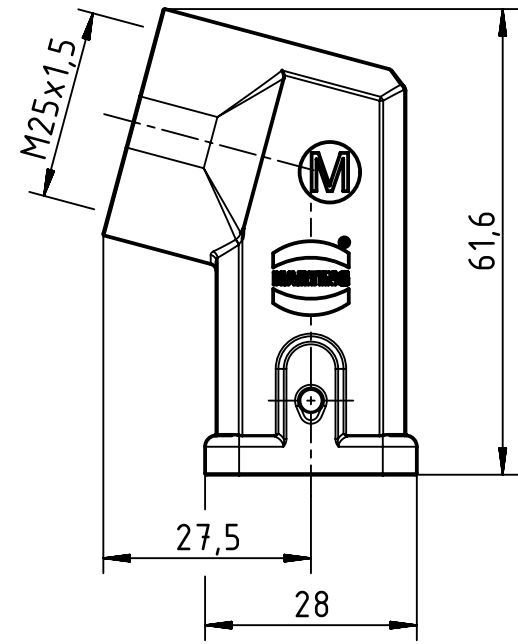
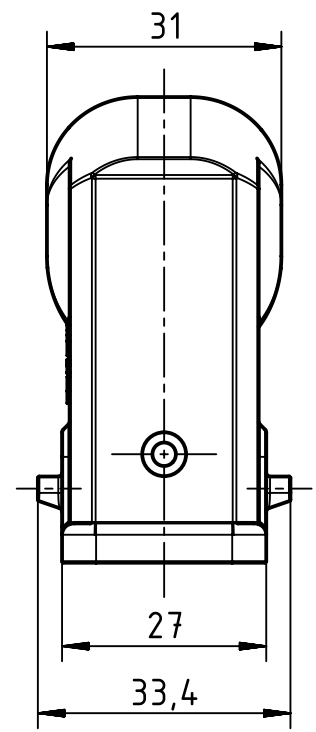
1 2 3 4 5 6


A

B

C

D



| | | | | | | | | |
|---|---------------------|----------------------------------|----------------|--------------|-----------------|------------|--|--|
|  | All rights reserved | | Created by | Inspected by | Standardisation | Date | State | |
| | Department EL PD | | LONGL | HEW | RUETERA | 2018-08-09 | Final Release | |
| HARTING (Zhuhai) Manufacturing Co., Ltd. 519085 Zhuhai, China | | Title Han 3A hood M25 side entry | | | | | Doc-Key / ECM-Nr. 100760779/UGD/001/A 500000135335 | |
| | | Type | Number | | | Rev. | Page | |
| | | TB | 19 20 003 1645 | | | A | 1/1 | |