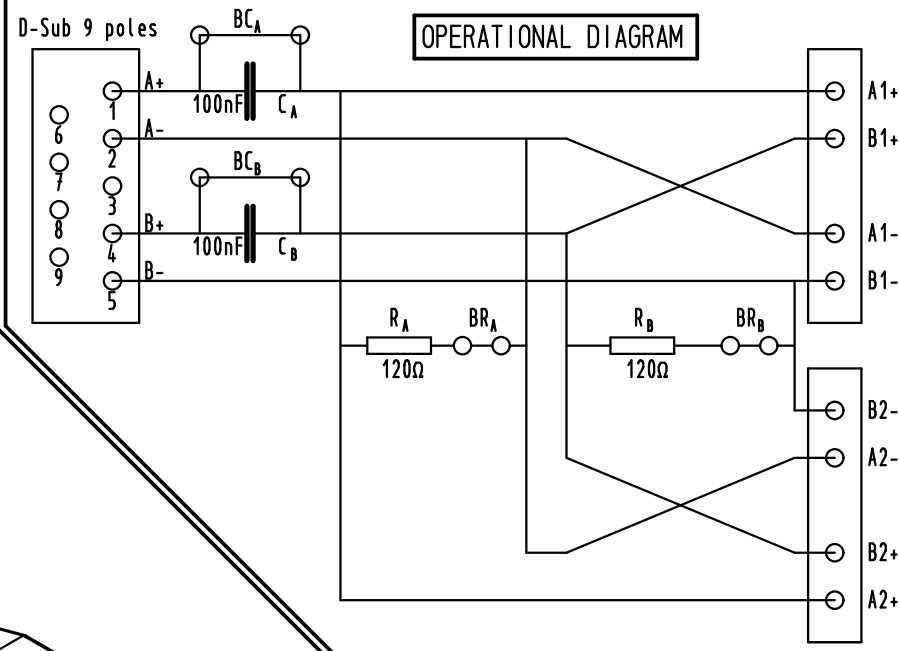
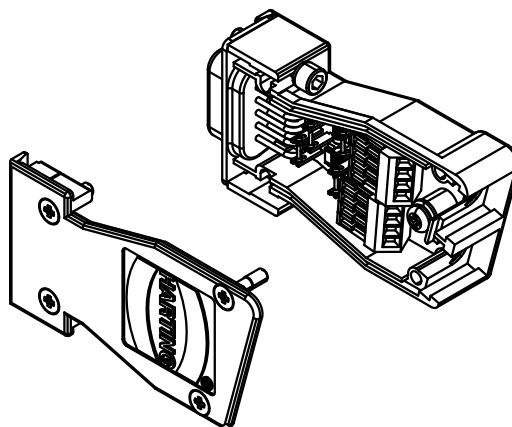
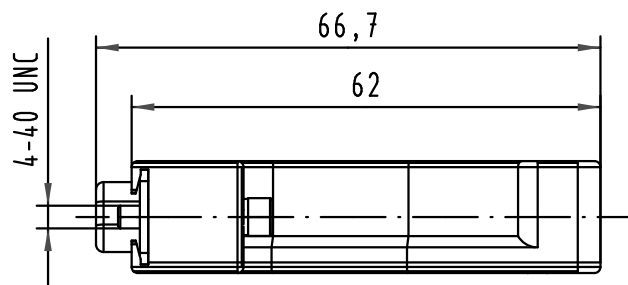
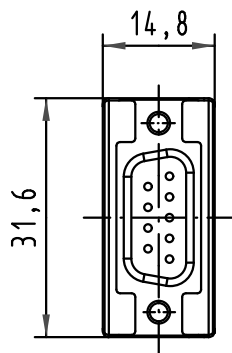
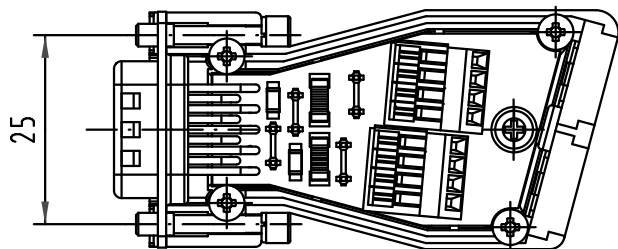


Darstellung ohne Deckel
view without cover



im Set enthalten :
in set inclusive :

| Anzahl number | Bezeichnung description |
|---------------|---|
| 2 | Crimpflansch 6,0-7,0 crimp flange 6,0-7,0 |
| 2 | Crimphülse 10,0-11,0 crimp ferrule 10,0-11,0 |
| 1 | Blindstopfen 9-37 blanking piece 9-37 |
| 1 | Etikett Reihe A label line A |
| 1 | Etikett Reihe B label line B |
| 1 | Etikett Reihe A + B label line A + B |

| | | | | | |
|---|----------|-------------------|---------------|---|---|
| All Dimensions in mm Original Size DIN A 4 | | Techn. Character. | | Nicht tolerierte Maßel Free size tolerances | |
| | | Dat. | Name | Maßstab/Scale 1:1 | InduCom 9 Male - MVB/WTB - 4-40 UNC with crimp flanges 6,0-7,0 and ferrules 10,0-11,0 |
| | | Detail. | 06.04.05 Bus. | | |
| | | Insp. | | | |
| | | Stand. | | | |
| 36098 | 29/07/10 | SC | HARTING EURL | | TB 66 63 009 x013 Sub. |
| 32614 | | | F-95972 PARIS | | |
| Mod. | Dat. | Name | | | |



| | |
|----------------|-------------------|
| 66 63 009 5013 | PL1 |
| Part number | Performance level |